

PRINTER PRESENTER UNIT
MODEL PPU-700
User's Manual

WEEE MARK

En If you want to dispose this product, do not mix with general household waste. There is a separate collection systems for used electronics products in accordance with legislation under the WEEE Directive (Directive 2002/96/EC) and is effective only within European Union.

Ge Wenn Sie dieses Produkt entsorgen wollen, dann tun Sie dies bitte nicht zusammen mit dem Haushaltmüll. Es gibt im Rahmen der WEEE-Direktive innerhalb der Europäischen Union (Direktive 2002/96/EC) gesetzliche Bestimmungen für separate Sammelsysteme für gebrauchte elektronische Geräte und Produkte.

Fr Si vous souhaitez vous débarrasser de cet appareil, ne le mettez pas à la poubelle avec vos ordures ménagères. Il existe un système de récupération distinct pour les vieux appareils électroniques conformément à la législation WEEE sur le recyclage des déchets des équipements électriques et électroniques (Directive 2002/96/EC) qui est uniquement valable dans les pays de l'Union européenne.

Les appareils et les machines électriques et électroniques contiennent souvent des matières dangereuses pour l'homme et l'environnement si vous les utilisez et vous vous en débarrassez de façon inappropriée.

Sp Si desea deshacerse de este producto, no lo mezcle con residuos domésticos de carácter general. Existe un sistema de recogida selectiva de aparatos electrónicos usados, según establece la legislación prevista por la Directiva 2002/96/CE sobre residuos de aparatos eléctricos y electrónicos (RAEE), vigente únicamente en la Unión Europea.

It Se desiderate gettare via questo prodotto, non mescolatelo ai rifiuti generici di casa. Esiste un sistema di raccolta separato per i prodotti elettronici usati in conformità alla legislazione RAEE (Direttiva 2002/96/CE), valida solo all'interno dell'Unione Europea.

Du Deponer dit product niet bij het gewone huishoudelijk afval wanneer u het wilt verwijderen. Er bestaat ingevolge de WEEE-richtlijn (Richtlijn 2002/96/EG) een speciaal wettelijk voorgeschreven verzamelstelsel voor gebruikte elektronische producten, welk alleen geldt binnen de Europese Unie.

Da Hvis du vil skille dig af med dette produkt, må du ikke smide det ud sammen med dit almindelige husholdningsaffald. Der findes et separat indsamlingssystem for udtjente elektroniske produkter i overensstemmelse med lovgivningen under WEEE-direktivet (direktiv 2002/96/EC), som kun er gældende i den Europæiske Union.

Por Se quiser deitar fora este produto, não o misture com o lixo comum. De acordo com a legislação que decorre da Directiva REEE – Resíduos de Equipamentos Eléctricos e Electrónicos (2002/96/CE), existe um sistema de recolha separado para os equipamentos electrónicos fora de uso, em vigor apenas na União Europeia.

Pol Jeżeli zamierzasz pozbyć się tego produktu, nie wyrzucaj go razem ze zwykłymi domowymi odpadkami. Według dyrektywy WEEE (Dyrektywa 2002/96/EC) obowiązującej w Unii Europejskiej dla używanych produktów elektronicznych należy stosować oddzielne sposoby utylizacji.



Declaration of Conformity

This printer conforms to the following Standards:

Low Voltage Directive 73/23/EEC, 93/68/EEC and the EMC Directive 89/336/EEC, 92/31/EEC, 93/68/EEC.

LVD : EN60950

EMC : EN55022 Class A
EN61000-3-2
EN61000-3-3
EN55024

This declaration is applied only for 230V model.

IMPORTANT: This equipment generates, uses, and can radiate radio frequency energy and if not installed and used in accordance with the instruction manual, may cause interference to radio communications. It has been tested and found to comply with the limits for a Class A computing device pursuant to Subpart J of Part 15 of FCC Rules, which are designed to provide reasonable protection against such interference when operated in a commercial environment. Operation of this equipment in a residential area is likely to cause interference, in which case the user at his own expense will be required to take whatever measures may be necessary to correct the interference.

CAUTION: Use shielded cable for this equipment.

Sicherheitshinweis

Die Steckdose zum Anschluß dieses Druckers muß nahe dem Gerät angebracht und leicht zugänglich sein.

For Uses in Canada

This digital apparatus does not exceed the class A limits for radio noise emissions from digital apparatus, as set out in the radio interference regulations of the Canadian department of communications.

Pour L'utilisateurs Canadiens

Cet appareil numérique ne dépasse pas les limites de catégorie A pour les émissions de bruit radio émanant d'appareils numériques, tel que prévu dans les règlements sur l'interférence radio du département Canadien des communications.

GENERAL PRECAUTIONS

1. The information contained in this manual is subject to change without prior notice.
2. Reproduction or transfer of part or all of this manual in any means is prohibited without permission from CITIZEN SYSTEMS.
3. Except explained elsewhere in this manual, do not attempt to service, disassemble, or repair this product.
4. Note that CITIZEN SYSTEMS is not responsible for any damage attributable to incorrect operation/handling or improper operating environments that are not specified in this manual.
5. Operate this printer only as described in this manual. Failure to do so may cause accidents or other problems.
6. Data are basically for temporary use and not for storage for a long period or permanently. Please note that CITIZEN SYSTEMS is not responsible for damage or lost profit resulting from the loss of data caused by accidents, repairs, tests or other occurrence.
7. If you find loss of information, error, or uncertain matter, please contact your CITIZEN SYSTEMS dealer.
8. Please note CITIZEN SYSTEMS is not responsible for anything that may occur from operating this printer regardless of what is stated in "7" above.

CAUTION

This is a Class A information technology equipment based on the standard of the Voluntary Control Council for Interference by Information Technology Equipment (VCCI). If this equipment is used in a domestic environment, radio disturbance may arise. When such trouble occurs, the user may be required to take corrective actions.

SAFETY PRECAUTIONS ... WHICH SHOULD BE STRICTLY OBSERVED

Before using this product for the first time, carefully read these SAFETY PRECAUTIONS. Incorrect operation may result in unexpected accidents (fire, electric shock, or injury).

- After having read this manual, keep it in a safe, readily accessible place for future reference.
- Some of the descriptions contained in this manual may not be relevant to some printer models.

In order to prevent injury hazard to operators, third parties or damage to property, special warning symbols are used in this user's manual to indicate important items to be strictly observed.

The following describes the degree of hazard and damage that could occur if the printer is improperly operated by ignoring the instructions indicated by the warning symbols.

WARNING

Neglecting the precautions indicated by this symbol may result in fatal or serious injury.

CAUTION

Neglecting the precautions indicated by this symbol may result in injury or damage to properties.



This symbol is used to alert your attention to important items.



This symbol is used to alert you to the danger of electric shock or electrostatic damage.



This symbol denotes a request to unplug the printer from the wall outlet.



This symbol is used to indicate the "information" on the use, or the like.



This symbol is used to indicate prohibited actions.

WARNING

Do not use or store this product in a place where it will be exposed to:

- Flames or moist air
- Direct sunlight
- Hot airflow or radiation from a heating device
- Salty air or corrosive gases
- Ill-ventilated atmosphere
- Chemical reactions in a laboratory
- Airborne oil, steel particles, or dust
- Static electricity or strong magnetic field
- **Neglecting these warnings may result in printer failure, overheating, emission of smoke, fire, or electric shock.**



Do not drop any foreign object nor spill liquid into the printer. Do not place any object on the printer either.

- Do not drop any metallic object such as paper clip, pin or screw into the printer.
- Do not place a flower vase, pot or cup containing water on the printer.
- Do not spill coffee, soft drinks or any other liquid into the printer.
- Do not spray insecticide or any other chemical liquid over the printer.
- Never use organic cleaning solvent such as alcohol, paint thinner, trichloroethylene, benzene, or ketone.
- **A metallic foreign object, if accidentally dropped into the printer, may cause printer failure, fire, or electric shock. Should it occur, immediately turn the printer off, unplug it from the supply outlet, and call your local CITIZEN SYSTEMS dealer.**



Do not handle the printer in the following ways:

- Do not allow the printer to sustain strong impacts or hard jolts (e.g., trampling, dropping, striking with a hard edge).
- Never attempt to disassemble or modify the printer.
- **Neglecting to handle properly may result in printer failure, overheating, emission of smoke, fire, or electric shock.**



Install, use, or store the printer out of the reach of children.

- **Electric appliances could cause an unexpected injury or accident if they are handled or used improperly.**
- **Keep the power cord and signal cables out of the reach of children. Also children should not be allowed to gain access to any internal part of the printer.**
- **The plastic bag the printer came in must be disposed of properly or kept away from children. Wearing it over the head may lead to suffocation.**



WARNING

Please observe the following precautions for power source and power cord:

- Do not plug or unplug the power cord with a wet hand.
- Use the printer only at the specified supply voltage and frequency.
- Use only the specified AC adapter with the printer.
- Check to make sure that the supply outlet from which the printer is powered has a sufficient capacity.
- Do not supply the printer from a power strip or current tap shared with other appliances.
- Do not plug the power cord into a supply outlet with dust or debris left on its plug.
- Do not use a deformed or damaged power cord.
- **Neglecting to handle properly may result in printer failure, emission of smoke, fire, or electric shock.**
- **An overload may cause the power cord to overheat or fire or the circuit breaker to trip.**
- Do not use the printer while the power cord is loaded with anything or it is trampled on.
- Do not use or carry the printer with its power cord bent, twisted, or pulled.
- Do not attempt to modify the power cord unnecessarily.
- Do not lay the power cord in the neighbor of a heating device.
- **Neglecting these cautions may cause wires or insulation to break, which could result in leakage, electric shock, or printer failure. If a power cord sustains damage contact your CITIZEN SYSTEMS dealer.**
- Do not leave things around the supply outlet.
- Supply power to the printer from a convenient wall outlet, readily accessible in an emergency.
- **The printer may not be immediately shut down in an emergency.**
- Insert the power plug fully into the supply outlet.
- If the printer is likely to be out of use for a long time, leave it disconnected from its supply outlet.



CAUTION

Do not use or store this product in a place where it will be exposed to:

- Flames or moist air
- Direct sunlight
- Hot airflow or radiation from a heating device
- Salty air or corrosive gases
- Ill-ventilated atmosphere
- Chemical reactions in a laboratory
- Airborne oil, steel particles, or dust
- Static electricity or strong magnetic field
- **Otherwise failure, smoke, ignition, fire, or electric shock may occur.**
- Place the printer on a flat, stable surface without vibration.
- **Otherwise dropping may cause injury.**



Do not use the printer under the following conditions.

- A state where the printer ventilation holes are blocked by a nearby wall or something
- A state where any object is placed on the printer
- A state where the printer is covered or wrapped by a cloth or bed clothing
- **Be careful about internal heat buildup, which could cause fire and deform the case.**
- Avoid using the printer near a radio or TV set or from supplying it from the same outlet as these appliances.
- Avoid using the printer interconnected with a cable or cord that has no protection against noise. (For interconnections, use shielded or a twisted pair of cables and ferrite cores, or other anti-noise devices.)
- Avoid using the printer with a device that is a strong source of noise.
- **The printer may have an adverse effect on nearby radio or TV transmissions. There may also be cases when nearby electrical appliances adversely influence the printer, causing data errors or malfunction.**



Use the printer with its grounding post connected to a convenient grounding facility.

- **If leakage occurs electric shock may result.**

Do not connect the printer's grounding post onto any of the following facilities.

- Utility gas piping
A gas explosion could result
- Telephone line ground
- Lightning rod
If lightning strikes a large surge of current may cause fire or shock.
- Utility water pipes
Plastic water pipes should not be used for grounding. (Those approved by a Waterworks Department may be used.)

Before connecting or disconnecting the grounding lead to or from the printer, always unplug it from supply outlet.



CAUTION

Please observe the following precautions for power source and power cord:

- Use the printer only at the specified supply voltage and frequency.
- Use only the specified AC adapter with the printer.
- Check to make sure that the supply outlet from which the printer is powered has a sufficient capacity.
- Do not supply the printer from a power strip or current tap shared with other appliances.
- Do not plug the power cord into a supply outlet with dust or debris left on its plug.
- **Neglecting to handle properly may result in printer failure, emission of smoke, fire, or electric shock.**
- **An overload may cause the power cord to overheat or fire or the circuit breaker to trip.**
- Do not leave things around the supply outlet.
- Use the printer near a convenient wall outlet, readily accessible in an emergency.
- **Otherwise the printer may not be immediately shut down in an emergency.**
- Insert the power plug fully into the supply outlet.
- If the printer is likely to be out of use for a long time, leave it disconnected from its supply outlet.



Plug or unplug the power cord or other cables with the power off and by holding the plug or connector.

Do not use the power cord or other signal cables under the following conditions.

- A state where the power cord or cable is loaded by something or trampled on.
- A state where the printer is used or carried with its power cord bent, twisted, or pulled
- Do not lay the power cord in the neighbor of a heating device.
- Do not attempt to modify the power cord unnecessarily.
- **Neglecting these cautions may cause wires or insulation to break, which could result in leakage, electric shock, or printer failure. If a power cord sustains damage contact your CITIZEN SYSTEMS dealer.**



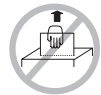
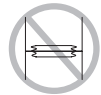
Be sure to firmly insert the cable plug into its mating socket.

- **A cross connection may damage the printer's internal electronics or the host system's hardware.**

CAUTION

To prevent possible malfunction or failure observe the following.

- Avoid operating the printer without paper properly loaded.
- Avoid the use of paper not complying with specifications.
- **Otherwise thermal print head may be damaged and may result in poor print quality.**
- Do not drop any metallic object such as paper clip, pin or screw into the printer.
- Do not spill coffee or any other liquid into the printer.
- Do not spray insecticide or any other chemical liquid over the printer.
- **A metallic foreign object, if accidentally dropped into the printer, may cause printer failure, fire, or electric shock. Should it occur, immediately turn the printer off, unplug it from the supply outlet, and call your local CITIZEN SYSTEMS dealer.**
- Avoid using torn pieces of paper or spliced with plastic adhesive tapes.
- Avoid forcibly pulling already loaded paper by hand.
- **Otherwise paper jam may occur. If paper jam occurs, remove it correctly by referring to “Removing Jammed Paper” in this manual.**
- Do not allow the printer to sustain strong impacts or hard jolts (e.g., trampling, dropping, striking with a hard edge).



To prevent injury and printer failures from worsening, observe the following:

- Do not touch the printing surface of the thermal head.
- Do not touch any of the moving parts (e.g., paper cutter, gears, active electrical parts) while the printer is working.
- In case of trouble do not attempt to repair the printer. Ask CITIZEN SYSTEMS service for repair.
- Be careful that the paper cover does not entrap your hands or fingers.
- Be careful with sharp edges on the printer. Don't allow them to injure you or damage property.
- **May result in electric shock, burn, or injury.**
- **If the printer emits smoke, an odd smell, or unusual noise while printing, immediately abort the current print session and unplug the printer from the supply outlet.**



DAILY MAINTENANCE

Observe the following precautions for daily maintenance.

- When cleaning the printer, always turn it off and unplug it from the supply outlet.
- Use a soft, dry cloth for cleaning the surface of the printer case.
- For severe stains, use a soft cloth slightly dampened with water.
- Never use organic cleaning solvent such as alcohol, paint thinner, trichloroethylene, benzene, or ketone. Never use a chemically processed cleaning cloth.
- To remove paper chips, use a soft brush.
- When transporting the printer, remove the paper roll from its paper holder.



CAUTION

- **The thermal head is at a dangerously high temperature immediately after printing. Allow it to cool off before launching maintenance work.**
- Clean the thermal head by wiping the dust off the surface of the heating element on the print head with gauze slightly moistened by alcohol.

CAUTION

- **Do not touch the heating element of the print head by bare hand or via metal strip.**
- **The thermal head is at a dangerously high temperature immediately after printing. Allow it to cool off before launching maintenance work.**
- Clean the presenter by wiping the dust off the surface of the rubber roller with gauze slightly moistened by alcohol.

THE TABLE OF CONTENTS

1. GENERAL OUTLINE	12
1.1 Features	12
1.2 Unpacking	12
2. BASIC SPECIFICATIONS	13
2.1 Model Classification	13
2.1.1 PPU Series	13
2.1.2 Option	14
2.2 Basic Specifications	15
2.3 Print Paper Specifications	17
2.3.1 Specified Paper	17
2.3.2 Print Position	18
2.3.3 Print Head and Paper Cut Position	19
2.3.4 Black Mark Layout and Operating Condition	20
3. APPEARANCE AND COMPONENTS PARTS	21
3.1 PPU-700 Printer	21
3.2 Detector Position	23
3.3 PHU-3*** (Paper Feed Unit) (Option)	24
4. OPERATION	25
4.1 Connecting AC Adapter and AC Cable	25
4.2 Connecting Interface Cables	26
4.3 Interface Board Change	27
4.4 Connecting PHU (Paper Feed Unit)	27
4.5 Connector for Operation Panel (CN500)	28
4.6 Setting/Replacing Paper Roll	29
4.6.1 Paper Setting from Paper Side-in	29
4.6.2 Paper Setting by Auto-loading	30
4.6.3 When Using PHU-3 *** (Paper Feed Unit)	31
4.7 Removing the Remaining Paper Roll	32
4.8 Removing Jammed Paper	32
4.9 Removing Cutter Lock	33
4.10 Changing Paper Width	34
4.11 FEED Switch	35
4.12 Paper End	35
4.13 Paper Near-End Sensor (When PHU-3*** is used)	36
4.14 Paper Retraction	37
4.15 Self-printing	37
4.16 Hexadecimal Dump Feature	37
4.17 Operation Panel and Error Indication	38

- 5. NOTES ON EXTERIOR DESIGN 40**
 - 5.1 Notes on Paper Exit 40
 - 5.2 Notes on Paper Collection Hole and Collection Path 42
 - 5.3 Notes on Paper Insertion Path 43
 - 5.4 PHU-3*** (Paper Feed Unit) Installation 43
 - 5.5 Layout Examples of Control Box 44

- 6. DIP SWITCHES 45**
 - 6.1 Setting DIP Switches 45
 - 6.2 DIP Switch Functions 46

- 7. MEMORY SWITCHES 47**
 - 7.1 Setting Memory Switches 47
 - 7.2 Memory Switch Functions 49

- APPENDIX-1. PPU-700 EXTERNAL VIEW 50**

- APPENDIX-2. PHU-3*** (PAPER FEED UNIT) INSTALLATION.. 51**

- APPENDIX-3. BLOCK DIAGRAM 52**

<<< DEUTSCH >>>

INHALT

4. BEDIENUNG	62
4.1 Anschließen des Netzteils und Netzkabels	62
4.2 Anschließen der Schnittstellenkabel	63
4.3 Austausch der Schnittstellenkarte	64
4.4 Anschließen der PHU (Papierhaltereinheit)	64
4.5 Anschluss für Bedienungsfeld (CN500)	65
4.6 Einsetzen/Auswechseln der Papierrolle	66
4.6.1 Papiereinsetzen von Papierseite-Ein	66
4.6.2 Papiereinsetzen durch automatisches Einlegen	67
4.6.3 Bei Verwendung von PHU-3 *** (Papiereinzugeinheit)	68
4.7 Entfernen der verbleibenden Papierrolle	69
4.8 Beseitigen von Papierstaus	69
4.9 Beseitigen von Schnittmechanismusblockierungen	70
4.10 Ändern der Papierbreite	71
4.11 Vorschubtaste (FEED)	72
4.12 Papierende	72
4.13 Papiermengensensor (bei Verwendung von PHU-3***)	73
4.14 Papierrückzug	74
4.15 Statusausdruck	74
4.16 Hexdump-Druckfunktion	74
4.17 Bedienungsfeld und Fehleranzeige	75
5. HINWEISE ZUR AUßEREN ERSCHEINUNG	77
5.1 Hinweise zum Papierauslauf	77
5.2 Hinweise zu Papiersammelloch und Sammelpfad	79
5.3 Hinweise zum Papierführfad	80
5.4 Installation von PHU-3*** (Papiereinzugeinheit)	80
5.5 Layout-Beispiele für Steuerkasten	81
6. DIP-SCHALTER	82
6.1 Einstellen der DIP-Schalter	82
6.2 DIP-Schalter-Funktionen	83
7. SPEICHERSCHALTER	84
7.1 Einstellen der Speicher-Switches	84
7.2 Speicher-Switch-Funktionen	86

1. GENERAL OUTLINE

The PPU-700 is a printer designed for use with a broad array of terminal equipment including data, measuring instruments, outdoor information, or as a presenter for issuing various kinds of tickets and coupon tickets. With extensive features, it can be used in a wide range of applications. To obtain the best results from the PPU-700 printer, please read the instructions in this manual thoroughly.

1.1 Features

- (1) Paper side-insert mechanism facilitating paper insertion and maintenance.
- (2) Paper width can be chosen among 58, 67, 80, and 82.5 mm.
- (3) Line thermal printing allows high-speed, low-noise printing.
- (4) Allows collection of paper not received. (Paper collection mechanism)
- (5) Small size and light weight requiring minimum installation space.
- (6) Long-life head and high reliability with simple mechanism.
- (7) Built-in input buffer.
- (8) Barcode printing is available with special command.
- (9) Page mode allows free layout of printing.
- (10) User-defined characters and logos can be registered in the flash memory.
- (11) User-designed characters can be registered.
(94 Kanji characters, 95 ANK characters)
- (12) Detection of black mark is available. (Option)
- (13) Free layout of each unit.
- (14) Large-sized roll paper can be used. (Option)
- (15) Built-in buzzer
- (16) Various kinds of customization are available.
- (17) 2-color printing

1.2 Unpacking

After unpacking the printer, confirm that the following are provided.

- Printer: 1
- User's manual: 1



CAUTION!

- Place the printer on the equipment positioned horizontally and stably.
- Avoid installation near heater or in direct sunlight.
- Avoid use in the environment with high temperature, high humidity, and very dirty.
- Avoid dew condensation. In the case of dew condensation, keep power off till dew condensation is cleared.

2. BASIC SPECIFICATIONS

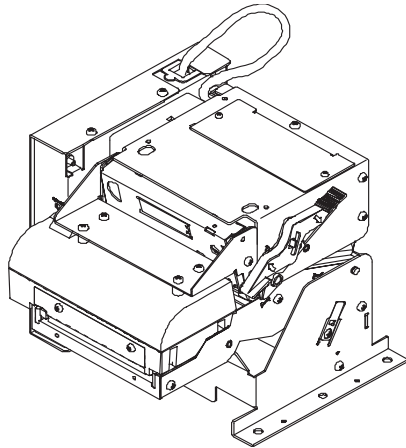
2.1 Model Classification

The printer models are classified by the following designation method:

2.1.1 PPU Series

PPU-700 - R U M1

- Model Name
- Interface
 - R: Serial (RS-232C)
 - P: Parallel (IEEE 1284 compliant)
 - U: USB
- Character Set
 - U: International
 - K: Japan (Supporting Kanji code)
- Black Mark Sensor Position (Option)
 - None: No Sensor (Standard)
 - M1: Rear Left
 - M2: Rear Right (Head Up Lever side)
 - M3: Left of Print Surface



2.1.2 Option

(1) PHU Series (Paper Feed Unit)

PHU-3 3 1 S

Model Name

Shaft length

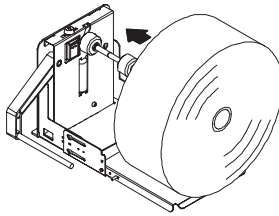
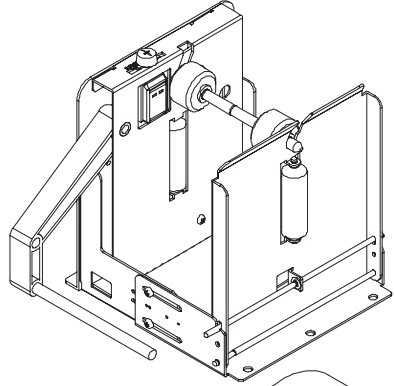
3: Paper width 58 to 82.5 mm (Standard)
2: Paper width 58 mm only

PNE Sensor

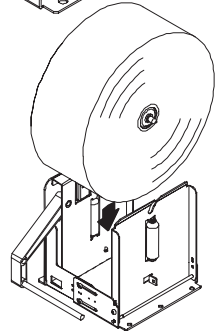
1: 1 Sensor (Standard)
2: 2 Sensors

Paper setting

S: Side (Standard)
T: Top



PHU-3**S



PHU-3**T

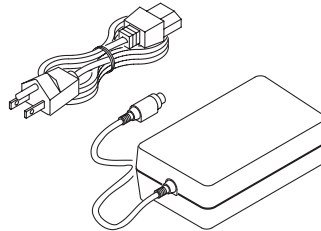
(2) 32AD Series (AC Adapter)

32AD - U

Model Name

AC Cable

U: USA (120V 3-core cord)
E: Europe (230V Class I Cord)
J: Japan (100V 3-core cord)



2.2 Basic Specifications

Item \ Model	PPU-700-RU PPU-700-PU PPU-700-UU	PPU-700-RK PPU-700-PK PPU-700-UK
Print method	Line thermal dot print method	
Print width	80 mm/640 dots	
Dot density	8 × 8 dots/mm (203 dpi)	
Print speed	150 mm/sec (max., Print density level 2), (1200 dot lines/sec)	
Number of print columns	Font A: 48 columns, 12 × 24 dots Font B: 64 columns, 9 × 17 dots Font C: 72 columns, 8 × 16 dots	
		Kanji Font A: 24 columns, 24 × 24 dots Kanji Font B: 36 columns, 16 × 16 dots
Character size	Font A: 1.50 × 3.00 mm Font B: 1.13 × 2.13 mm Font C: 1.00 × 2.00 mm	
		Kanji Font A: 3.00 × 3.00 mm Kanji Font C: 2.00 × 2.00 mm
Character type	Alphanumeric characters, International characters, PC850, 852, 857, 858, 860, 863, 865, 866, WPC1252, Katakana	
		Kanji (JIS Level 1, Level 2)
User memory	256 KB (Capable of registering user-defined characters and logos)	
Barcode type	UPC-A/E, JAN (EAN) 13 columns/8 columns, ITF, CODE 39, CODE 128, CODABAR, CODE 93	
Line spacing	4.23 mm (1/6 in.), selectable by use of command	
Paper (See paper spec.)	Thermal paper roll Width: 58 to 82.5 mm External diameter: φ203 mm max. (when using PHU) Core: Internal diameter: φ25.4 mm, Outer diameter: φ30 mm or more Paper thickness: 65 to 150 μm	
Presenter	Standard length: 90 mm	
Interface	Serial (RS-232C compliant), Parallel (IEEE1284 compliant), USB	
Input buffer	4K bytes/72 bytes	
Supply voltage	DC 24V ±7%	
Power consumption	100 W	
AC adapter specification	Rated input: AC 100V to 240V, 50/60 Hz, 150 VA Rated output: DC 24V, 2A	
	Type	32AD-U 32AD-E 32AD-J
Weight	2.1 kg	
Outside dimensions	163.2 (W) × 176 (D) × 144 (H) mm (See external view)	
Operating temperature and humidity	5 to 40°C, 35 to 85% RH (No dew condensation)	
Storage temperature and humidity	-20 to 60°C, 10 to 90% RH (No dew condensation)	

Item	Model	PPU-700-RU PPU-700-PU PPU-700-UU	PPU-700-RK PPU-700-PK PPU-700-UK
Reliability	Print head life: 150 Km, 100 million pulses (At normal temperature, humidity with recommended paper used) Auto cutter life: 1 million cuts (At normal temperature, humidity, with paper thickness of 0.065 mm)		
Safety Standard *1	UL, C-UL, FCC Class A	TUV, GS, CE marking	VCCI Class A

Note:

*1: Represents the safety standards acquired when CITIZEN SYSTEMS-made AC adapter (32AD series) is used.

2.3 Print Paper Specifications

2.3.1 Specified Paper

Thermal Paper Roll

- Type: Heat-sensitive paper
- Paper width: 58 mm, 67 mm, 80 mm, 82.5 mm
- Paper thickness: 0.065 to 0.150 mm
- Roll diameter: ϕ 203 max.
- Print surface: Outer side of the roll (surface)
- Core: ϕ 25.4 (inner diameter),
 ϕ 30 mm or more (outer diameter)
- Recommended paper: Nippon Paper Industries TF50KS-E, EC
Mitsubishi Paper Mills F230AA

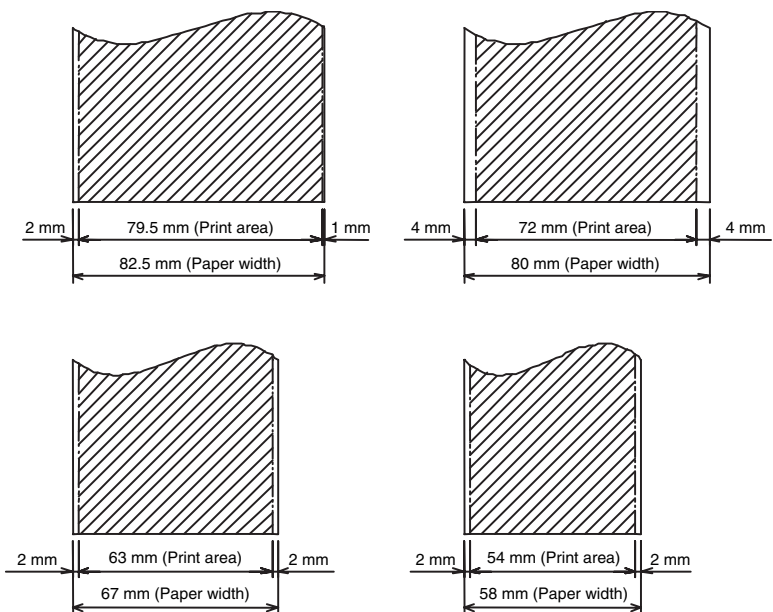
Or other equivalent paper



CAUTION!

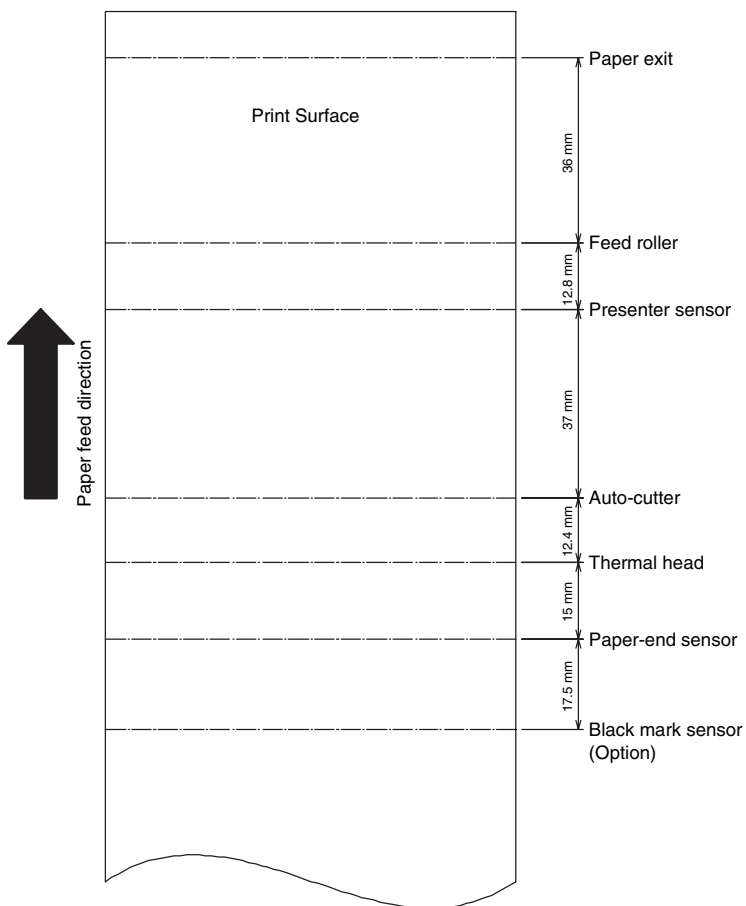
- Paper not complying with the specifications may cause some departure in print tone.
- Adjust the print tone with the DIP switch. (See "7.2 Memory Switch Functions".)
- Do not paste paper end to the core.
- If printed documents are exposed to a particular chemical or oil afterwards, coloration or faint letters may result.
- Rubbing the document surface with your nail or metallic device may cause coloration.
- Coloration occurs at a temperature of around 70°C or above. Keep documents away from heat, moisture, or light.

2.3.2 Print Position

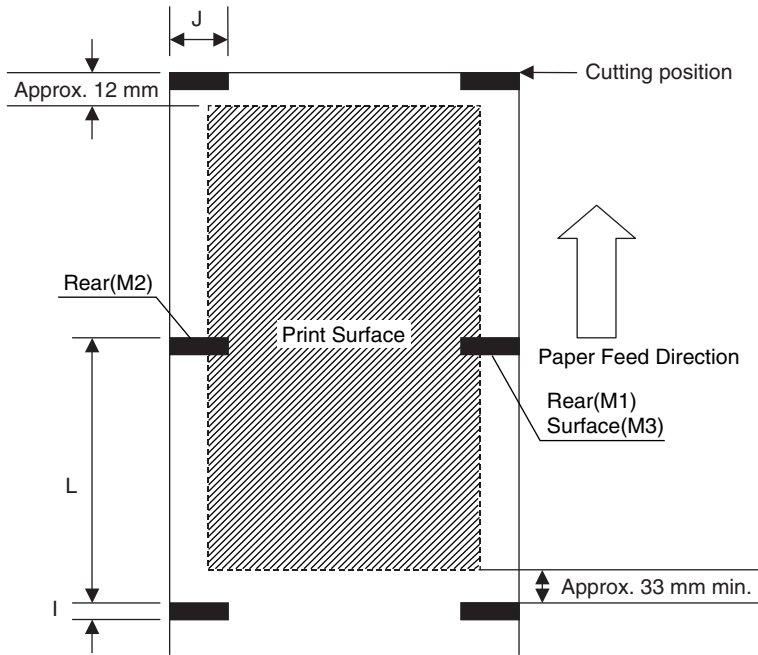


* Hatched portion: Printable area

2.3.3 Print Head and Paper Cut Position



2.3.4 Black Mark Layout and Operating Condition

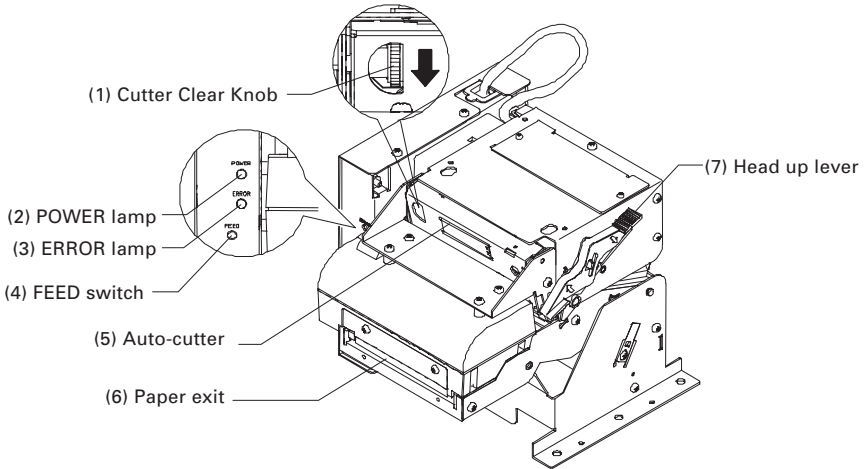


Symbol	Item	BM Paper
I	Black mark length	6 mm min.
J	Black mark width	10 mm min.
L	Black mark pitch	100 mm ~ 3000 mm

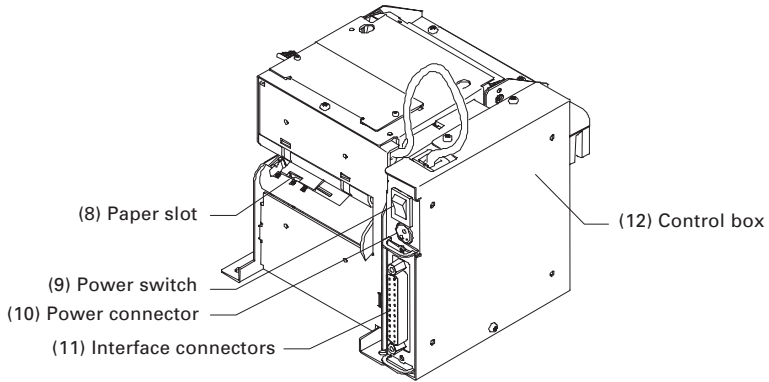
- * Black Mark shall have a minimum PCS of 0.9.
- * Model with black mark sensor is in three types depending on the sensor position. To detect a black mark, the black mark position of paper and the product model (sensor position) must be in the same position.
- * The distance between thermal head and black mark sensor is approx. 33 mm. If the distance between the last printed portion and the black mark is within 33 mm, the black mark just after printout cannot be detected and the next black mark is detected.
- * When black mark detection is conducted by the GS+S command, the cutting position is within ± 2 mm from the black mark position.
- * The ESC+Y command allows the cutting position after detection of a black mark to be changed.
- * Printing at the back of a black mark may be thinner in density.
- * Depending on the reflection rate of paper and black mark, the position to be detected by the sensor may vary. Be sure to confirm that detection and operation is normal by using the paper to be used beforehand.

3. APPEARANCE AND COMPONENTS PARTS

3.1 PPU-700 Printer



- (1) Cutter Clear Knob
Operated at the occurrence of cutter error.
- (2) POWER lamp
Lights when the printer is powered on.
- (3) ERROR lamp
Lights or blinks at the occurrence of error.
- (4) FEED switch
This switch, when pressed, feeds and cuts paper and ejects the paper from the presenter.
- (5) Auto-cutter
Cuts the printed paper.
- (6) Paper exit
- (7) Head up lever
Used when setting paper or for maintenance.



(8) Paper slot

(9) Power switch
Switch to turn ON/OFF presenter power.

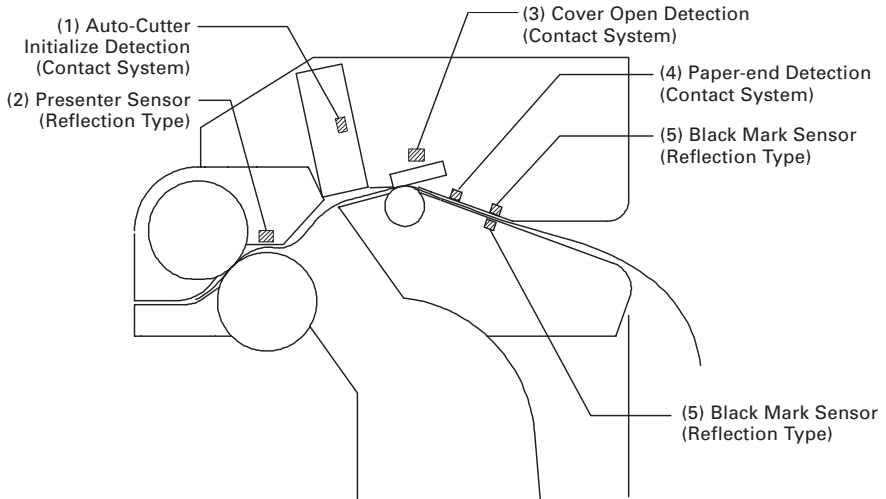
(10) Power connector
Connector for power supply from outside.

(11) Interface connectors
Connects the interface cable for communication. Serial, parallel, and USB connectors are provided.

(12) Control box
Control board is contained.

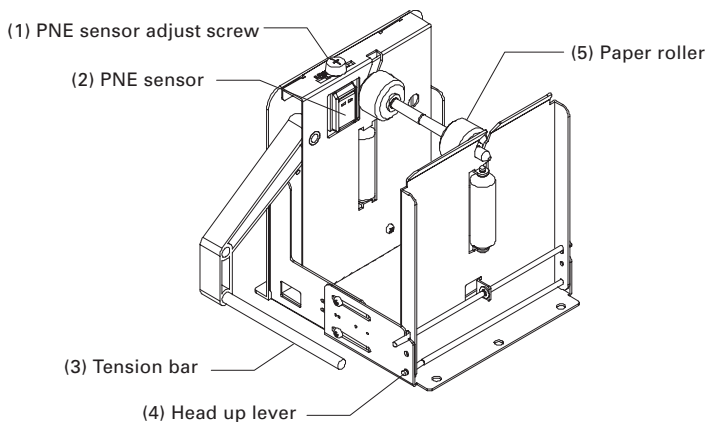
(13) Buzzer
Located on the control board and sounds at the occurrence of error, etc.

3.2 Detector Position

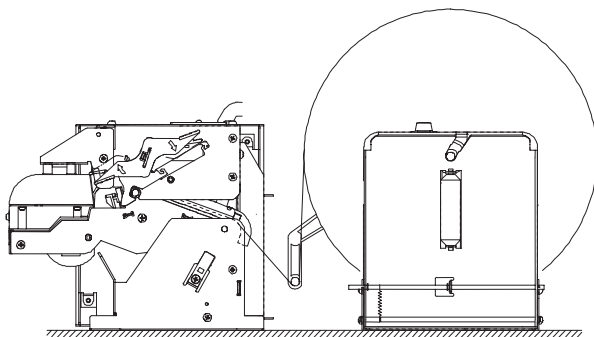


- (1) Auto-Cutter Initialize Detection (Contact System)
Detects the position of cutter blade.
- (2) Presenter Sensor (Reflection Type)
Detects the presence or absence of paper and paper jam.
- (3) Cover Open Detection (Contact System)
Detects open and close of paper guide.
- (4) Paper-end Detection (Contact System)
Detects presence and absence of paper supplied
- (5) Black Mark Sensor (Reflection Type): Option
Detects Black Mark.

3.3 PHU-3*** (Paper Feed Unit) (Option)



- (1) PNE sensor adjust screw
Screw to adjust the amount of paper by moving the sensor position.
- (2) PNE sensor
Sensor to detect that paper is low.
- (3) Tension bar
Absorbs the shock at the rotation of paper roll.
- (4) Head up lever (PHU-3**T: Not provided for paper top set type)
Used for opening the side door for paper setting.
- (5) Paper roller
Used for supporting paper roll.



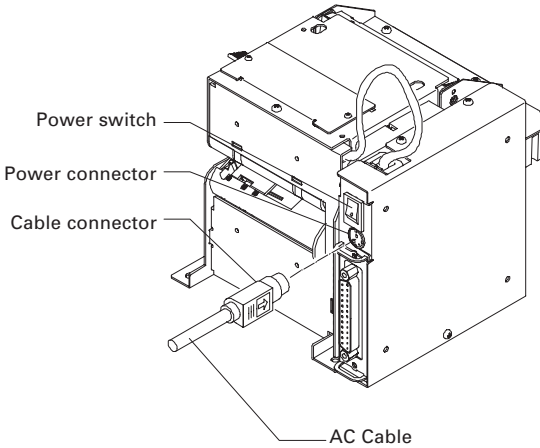
Paper Feed Unit Installation

For detailed dimensions, refer to "Appendix-2. PHU-3*** (Paper Feed Unit) Installation".

4. OPERATION

4.1 Connecting AC Adapter and AC Cable

1. Turn the printer power off.
2. Confirm the direction of the cable connector of the AC adapter and insert it into the power connector until it is locked.

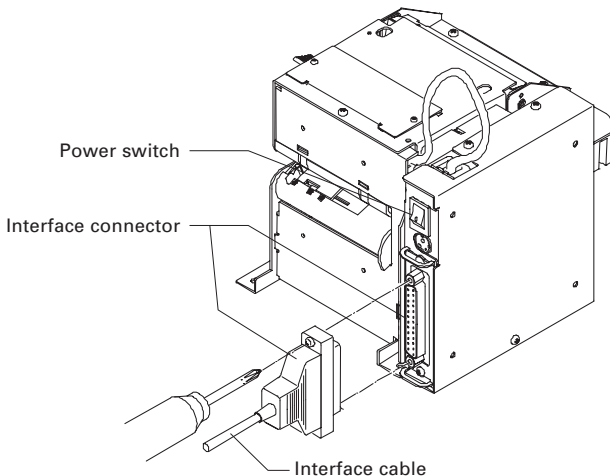


CAUTION!

- Keep DC 24 V \pm 7% for supply voltage.
- AC power supply must be separated from the equipment that may cause noise.
- When lightning is coming, unplug the AC cable from the wall outlet and do not use the printer. Lightning strike may cause a fire or electric shock.
- Always hold the connector portion when attaching or removing the cable connector of the AC adapter.
- Do not pull the AC cable. Otherwise, the cord may be damaged resulting in a fire, electric shock, or disconnection.
- Keep the AC cable off any heating instrument. The cover of the cable may be melt resulting in a fire or electric shock.
- If you leave the printer unused for a long period, keep the AC cable unplugged from the wall outlet for safety purpose.

4.2 Connecting Interface Cables

1. Turn the printer power off.
2. Connect the interface connector in the correct direction.
3. Fix the interface connector using a screwdriver.
4. Connect the other end of the interface cable to the host.

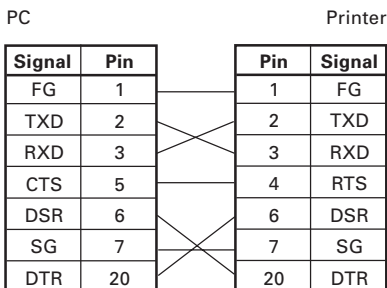


CAUTION!

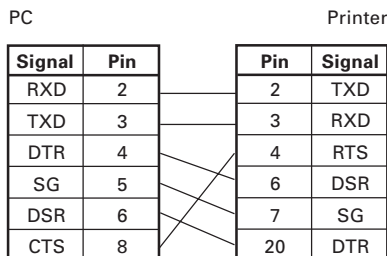
- Confirm the pin arrangement for the interface connector and cable. Wrong wiring may result in fault, malfunction, or the like of the computer as well as the printer.
- Always hold the connector when connecting or disconnecting the interface cable. Holding the cable may cause disconnection of the cable core.
- Confirm that the interface cable is connected securely. Poor contact may result in a failure in communication.

For serial interface cable, use the one with the following connection.

25-pin - 25-pin cable

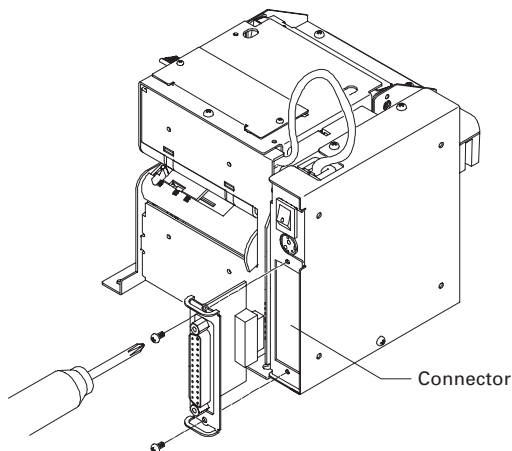


9-pin - 25-pin cable



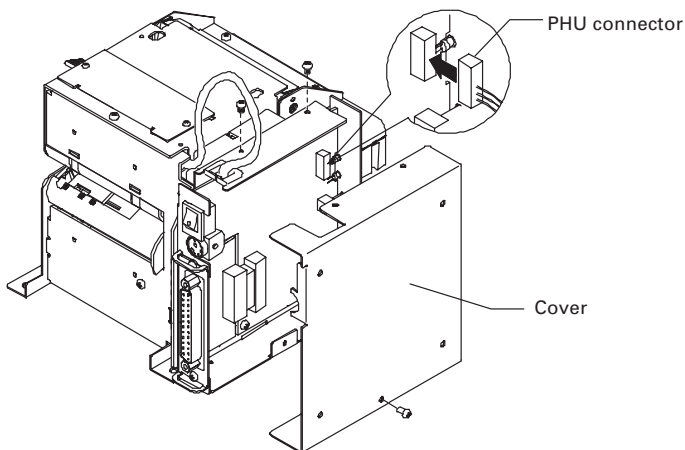
4.3 Interface Board Change

1. Turn the printer power off.
2. Remove two screws from the places shown in the figure below and detach the interface board.
3. Firmly connect the connector of the interface board to be changed.
4. Fix with screws.



4.4 Connecting PHU (Paper Feed Unit)

1. Turn the printer power off.
2. Remove the three screws on the control box and open the cover.
3. Connect the PHU connector to the connector on the printed board in the control box shown in the following figure.



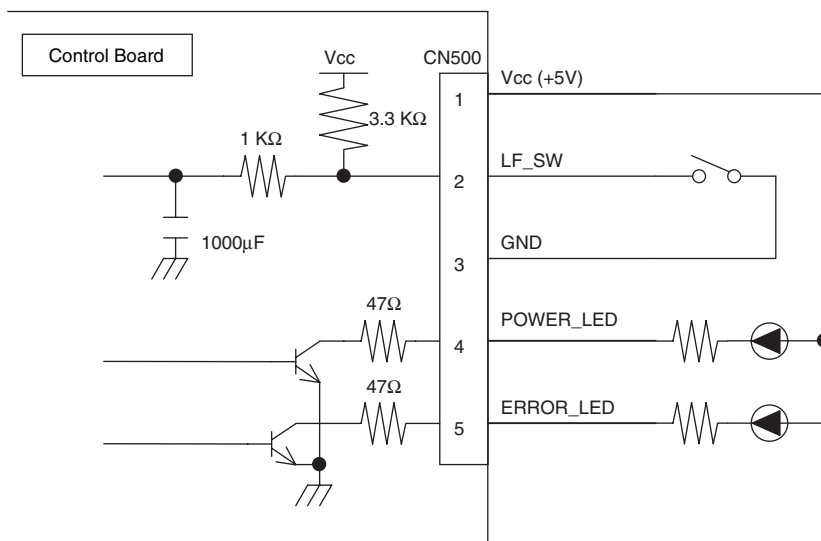
4.5 Connector for Operation Panel (CN500)

Pin Assignment

Pin No.	Signal Name	Input/Output	Function
1	Vcc	—	Power supply for circuit (+5V)
2	LF_SW	Input	LF switch input (paper feeding)
3	GND	—	GND for circuit
4	POWER_LED	Output	POWER_LED output
5	ERROR_LED	Output	ERROR_LED output

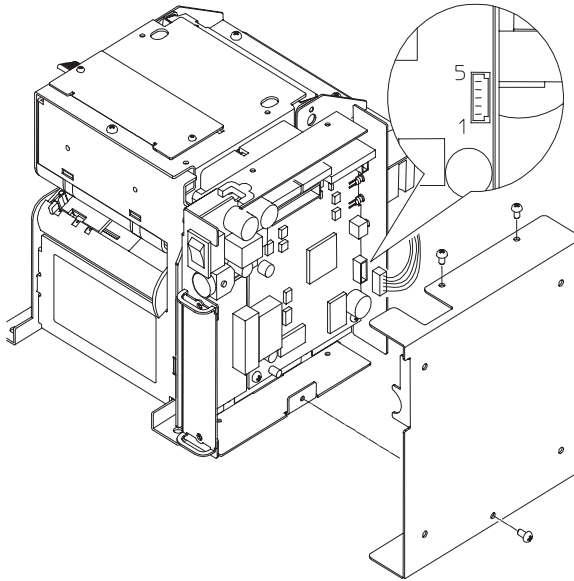
Connector used: 53014-0510 (Molex)

Connection Example



CAUTION!

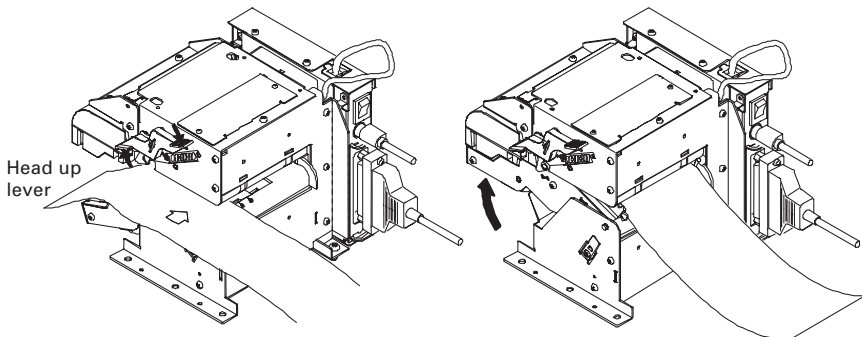
- POWER LED and ERROR LED are provided with a resistor of 47Ω at the circuit side. When using LED, connect the resistor to conform to the rating of the LED. (Saturation voltage across collector and emitter of transistor $V_{CE(sat)} = 0.25V$ (max.))
- LF_SW input terminal has the above circuit configuration. A ceramic capacitor is provided at the circuit side to prevent chattering. Note that chattering may be large depending on the switch.



4.6 Setting/Replacing Paper Roll

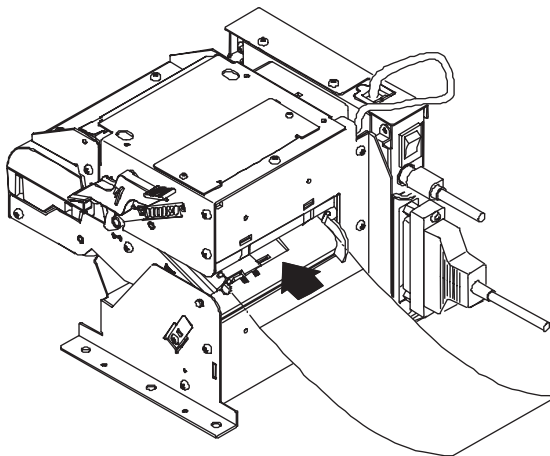
4.6.1 Paper Setting from Paper Side-in

1. Open the paper guide with the head up lever.
2. Cut the top end of the paper roll at about right angle to the roll direction. (Fig. 4-1)
3. Insert a paper roll.
4. Confirm that the roll paper end is rest in the guide. Close the paper guide.
5. Roll paper is automatically loaded and paper initializing operation starts.
6. When paper initialize operation is finished, the printer is ready for printing.



4.6.2 Paper Setting by Auto-loading

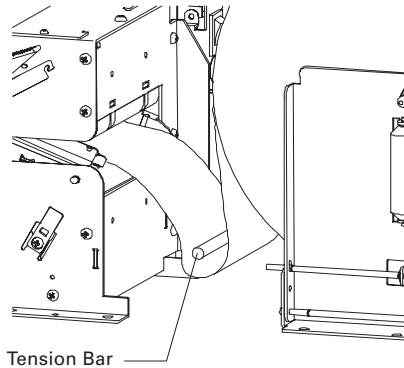
1. Keep the paper guide closed.
2. Cut the end of the roll paper almost at right angle. (Fig. 4-1)
3. Insert the roll paper from the paper slot till it gets a drag.
4. Paper is detected and automatically fed for a certain time and then paper initialize operation starts.
5. When paper initialize operation is finished, the printer is ready for operation.
6. When paper feeding fails, extract the paper once and repeat the procedure from step 3.



4.6.3 When Using PHU-3 *** (Paper Feed Unit)

When using the PHU-3*** (Paper Feed Unit), always pass the paper over the tension bar.

This feature serves as a shock absorber against the shock during rotation of paper roll thereby preventing deformed character, meandering paper feed, breakage of paper feed mechanism.



CAUTION!

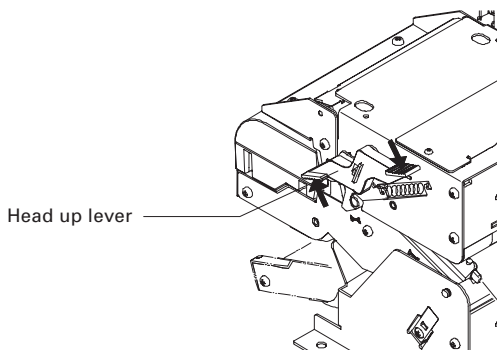
- Always use the specified paper roll.
- Use of paper other than specified may result in disclaimer of warranties for print quality, head life, presenter feature, etc.
- Do not set the roll paper with fuzzy or bent edge. Otherwise, paper jam or wrong paper insertion may occur.
- If roll paper is slackened, rewind the roll to remove the slack.
- If roll paper is set with a slant, open the guide using the head up lever and correct the roll position or remove the roll paper and retry setting the paper again.
- During auto-loading, do not touch the roll paper. Otherwise, wrong paper feed or paper skew may occur.
- During printing, do not hold or touch the roll paper. Otherwise, paper jam may occur.
- After paper setting, the printer enters the print ready state. Note that if data remains in the buffer, printing starts after paper setting is completed.



Fig. 4-1

4.7 Removing the Remaining Paper Roll

1. Operate the head up lever.
2. The guide opens. Remove the roll paper.

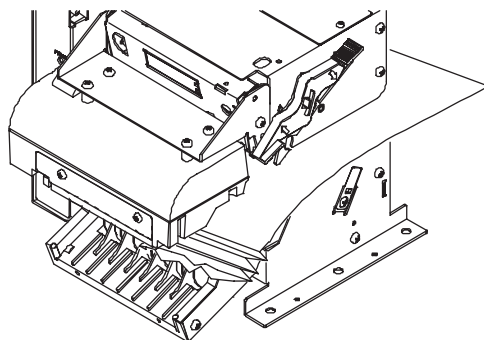


CAUTION!

The thermal head is at a high temperature immediately after printing. Sufficient care must be taken in the work just after printing.

4.8 Removing Jammed Paper

1. Turn the printer power off.
2. Cut the roll paper at the point near the paper slot.
3. Operate the head up lever to open the guide.



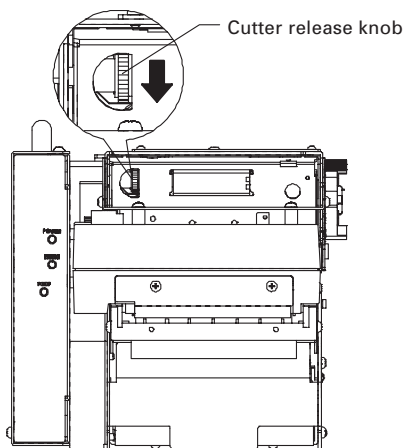
CAUTION!

- Do not access the printer head just after printing operation because the print head remains hot.
- Do not touch the surface of the heated portion of the head with a bare hand or with a metal tool.

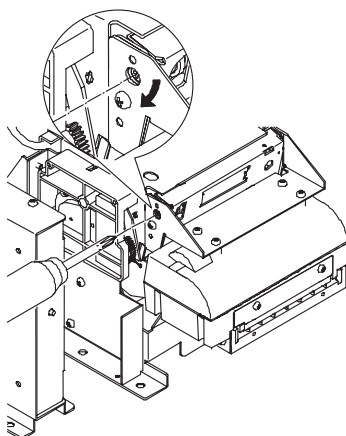
4.9 Removing Cutter Lock

When cutter lock is used, opening the guide with the head up lever may fail. Forced opening may cause a break. Remove cutter lock in the following procedure.

1. Press the FEED switch or turn the printer power off and then on. The auto-cutter starts initialize operation to restore the cutter.
2. If the above operation is not successful for restoring the cutter, turn off the printer and turn the cutter release knob of the auto-cutter in the arrow direction using a pointed tool (such as pincette or ball-point pen). The blade of the auto-cutter will be restored.
3. Remove the paper remainder on the blade of the cutter by using tweezers or the like.



4. When the control box is set apart from the printer, turn the cross hole shown in the figure in the arrow direction to restore the blade.

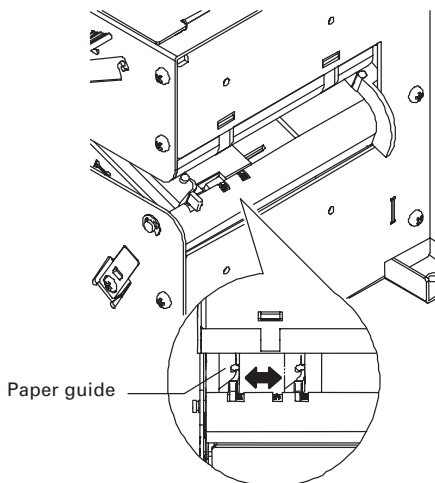


4.10 Changing Paper Width

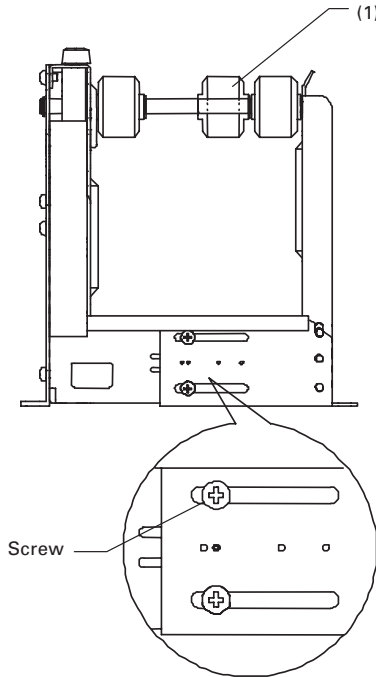
The printer can accept four kinds of paper widths: 82.5 mm, 80 mm, 67 mm, and 58 mm.

Use the following procedure to set the paper width.

1. **Move the paper guide of the paper slot at the back of the printer to meet the paper width.**
(Changing print width is available with a command. For details, refer to Command Reference.)



2. When using the paper holder (PHU-3***), loosen the screws (4 places including other side) shown in the figure, adjust the holder to the specified width, and then tighten the screws.
When the paper width is 58 mm or 67 mm, remove the E ring and move the paper roller located at position (1) in the figure.



4.11 FEED Switch

1. The FEED switch, when pressed, feeds paper, cuts the paper, and then ejects the paper.

4.12 Paper End

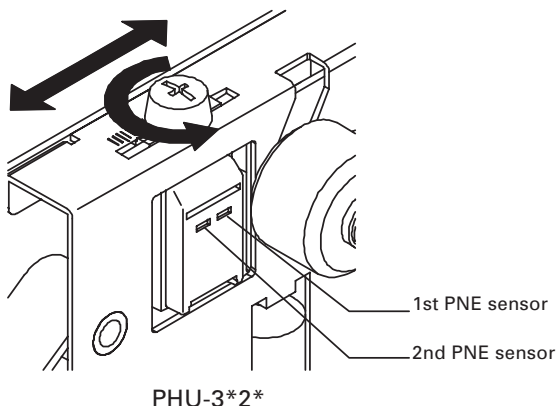
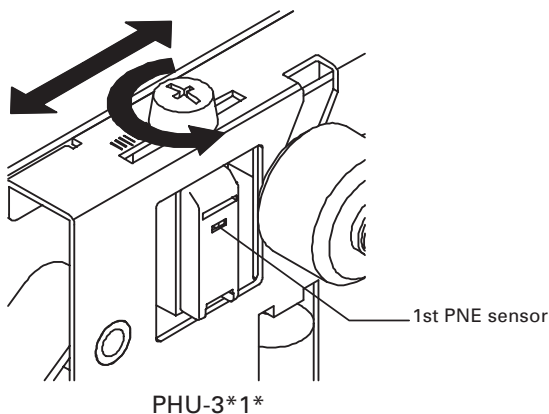
1. If no print paper is present in the printer, Busy, Fault, and PError alarms are sent to the computer through the parallel interface or DTR output is sent to the printer through the serial interface.
2. If data remains in the buffer, printing occurs after supplying paper.
3. Set a new paper roll in accordance with "4.5 Setting/Replacing Paper Roll".
4. After paper setting, Busy (DTR), Fault, and PError outputs are cleared.

4.13 Paper Near-End Sensor (When PHU-3*** is used)

1. When the print paper remainder becomes low, the Paper Near-End (PNE) sensor sends a signal to the computer telling the paper is low and stops printing. This function is enabled or disabled by the memory switch. For memory switch setting, refer to "7.2 Memory Switch Functions (MSW2-8)".
2. The PNE sensor can be adjusted in the following range by loosening the top screw.
3. Set a new paper roll in accordance with "4.5 Setting/Replacing Paper Roll".

Type	Number of PNE Sensors	Adjustable Range (Outer Diameter of Rolled Paper)	
		1st PNE Sensor	2nd PNE Sensor
PHU-3*1*	1	$\phi 23.6$ to $\phi 50$	—
PHU-3*2*	2	$\phi 23.6$ to $\phi 40$	$\phi 33.6$ to $\phi 50$

Note: For PHU-3*2*, the space between the 1st PNE sensor and the 2nd PNE sensor shall be fixed at 5 mm.



4.14 Paper Retraction

1. This printer has a function of automatically collecting the ejected paper. This function is enabled or disabled by the memory switch. For memory switch setting, refer to “7.2 Memory Switch Functions”.
2. After print paper is cut, paper is collected after a certain period of time has passed with the presenter loaded with paper.
3. The time can be adjusted by a command.
4. Before collecting the ejected paper, allow a space for paper path at the mounting area and at the bottom of the printer and prepare a collection box. For details, refer to “5.2 Notes on Paper Collection Hole and Collection Path”.

4.15 Self-printing

1. This printer has a function of printing a set of predetermined characters. Turn on the printer while pressing the FEED switch. Hold the FEED switch pressed for about 1 second and then release the FEED switch. Then the printer starts self-printing. Model name, ROM version, DIP switch status, memory switch status, and built-in characters are printed.
2. After self-printing is completed, the printer performs initialize operation and is ready for printing.



CAUTION!

Do not print with low paper supply.

4.16 Hexadecimal Dump Feature

1. This printer has the function to print data sent from the host in hexadecimal numbers and the corresponding characters. With the printer cover open and pressing and holding the FEED switch, turn the printer power on and then close the cover. The printer starts initialization and prints “HEX DUMP PRINT MODE” followed by printing of data received thereafter in hexadecimal numbers and characters.
2. After the printer stops printing, turn the printer power off or press the FEED switch three times or apply a reset signal from the interface, then the printer executes initialization and enters the standby state.



CAUTION!

- Do not print in paper low condition.
- If there is no character corresponding to data, the printer prints “..”.
- During hexadecimal dump printing, commands other than DLE EOT, DLE ENQ, and DLE DC4 provide no function.
- If the print data is less than a line, printing is caused by the occurrence of a certain offline factor (pressing the FEED switch or the like).

4.17 Operation Panel and Error Indication

(1) POWER LED (Green)















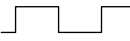
ON: Lights while power is supplied.

OFF: Goes off while power is not supplied.

Blinking: Blinks while some operation is in process.

(2) ERROR LED (Red)

The ON/Blink status indicates the status of the error. Blinking also occurs while the printer is waiting for macro execution. (For details, refer to Command Details and Macro execution command.)

ERROR	POWER LED	ERROR LED	BUZZER
Paper end	Lights	Lights	
Paper near-end	Lights	Lights	—
Cover open	Lights	Lights	
Cutter motor lock	Lights		
Head overheat	Lights		—
Memory check error		Lights	—
Low voltage error	Lights		—
High voltage error	Lights		—
Sum check error			—
Presenter error	Lights		
Black marked paper detection error	Lights		
Macro execution wait	Lights		—

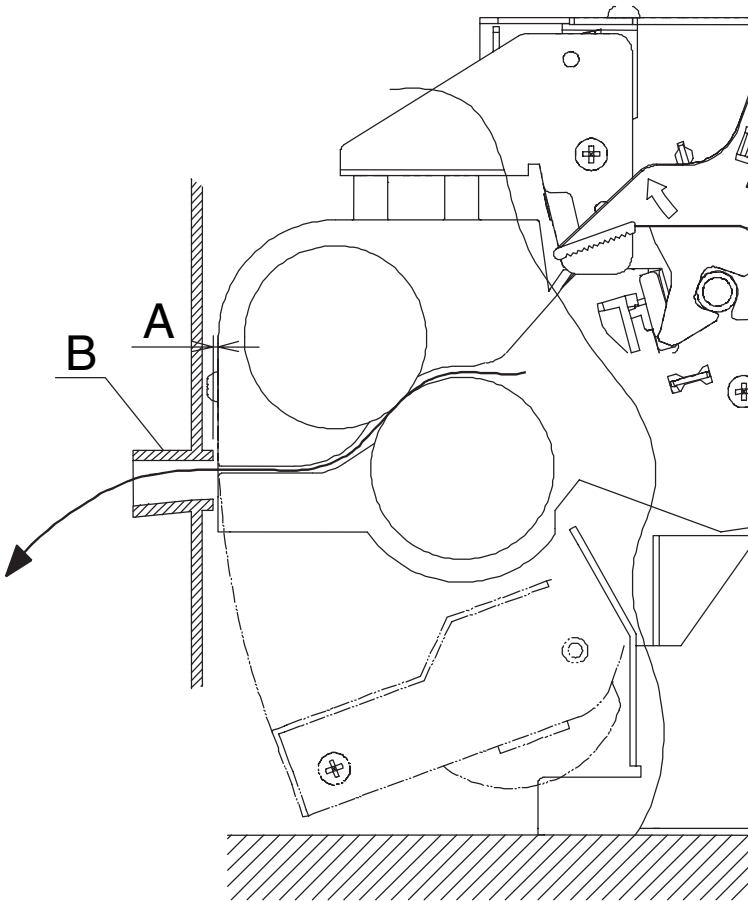
Description of Errors

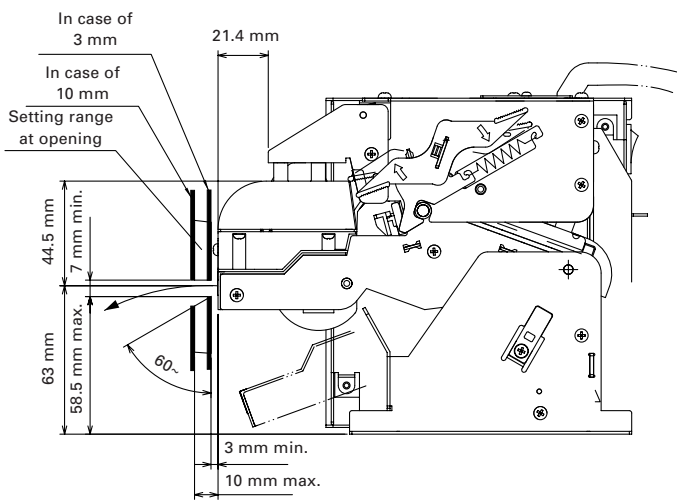
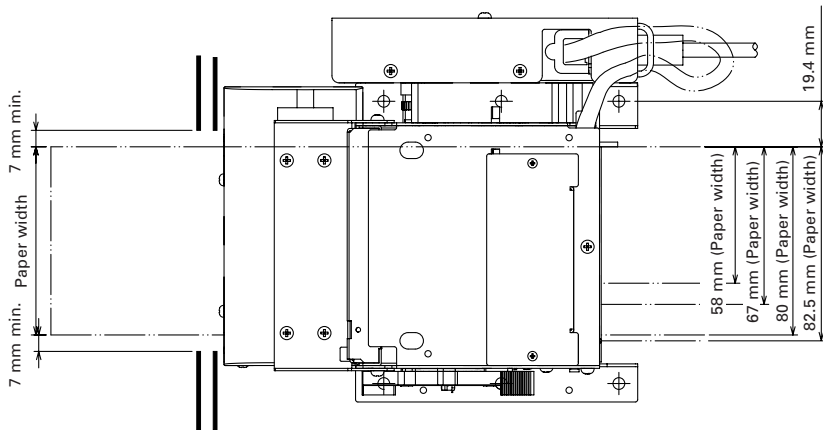
- **Paper end**
When the paper roll has run out, the Paper end sensor located in the paper path near the print head detects the end of the paper roll, causing the PE to be output and the printing to stop.
- **Paper near-end**
When the paper roll diameter is reduced to the lower limit, the Paper near-end sensor is activated and causes the PE to be output, indicating that the paper supply has become low.
- **Cover open**
When the cover is open, the cover open sensor reacts to stop the printing operation.
- **Head overheat**
To protect the print head from overheating, the head temperature sensor is activated if the head temperature rises over approx. 65°C, causing ERROR to be output and the printing to stop. Printing resumes automatically when the head temperature lowers below 60°C.
- **Cutter motor lock**
While the cutter motor is running, if the cutter position sensor inside the cutter unit keeps ON or OFF for approx. 1 second or more, the printer judges that the motor has locked, causing the cutter operation and printing operation to stop. (See “4.8 Removing Cutter Lock”.)
- **Low voltage error**
This error occurs when the voltage supplied to the printer is too low. If this error occurs, turn the printer power off immediately.
- **High voltage error**
This error occurs when the voltage supplied to the printer is too high. If this error occurs, turn the printer power off immediately.
- **Presenter error**
This error occurs when the presenter cannot eject paper or it cannot collect the ejected paper. To clear this error, remove the jammed paper or press the FEED switch.
- **Black mark detection error**
This error occurs when the printer cannot detect the black mark. If this error occurs, turn the printer power off and confirm the paper and memory switch setting.

5. NOTES ON EXTERIOR DESIGN

5.1 Notes on Paper Exit

1. Use consideration to prevent the ejected paper from entering the gap of the exterior case. (Dimension A must be minimum.)
2. Avoid the shape that may obstruct the paper ejected from the presenter unit.
3. Use consideration to design the shape that may prevent entry of dust, drops of water from the outside. (Portion B)
4. Keep a space enough to open the paper guide for maintenance purpose.

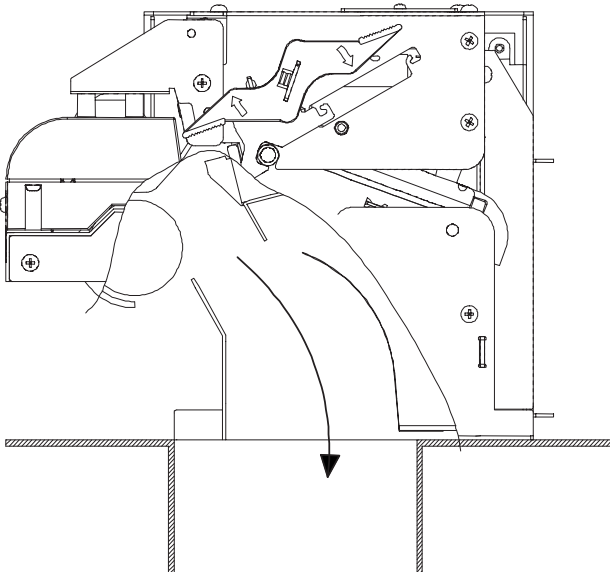
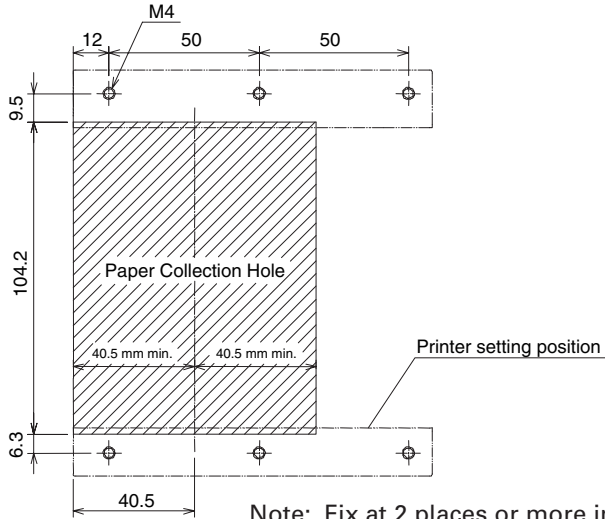




5.2 Notes on Paper Collection Hole and Collection Path

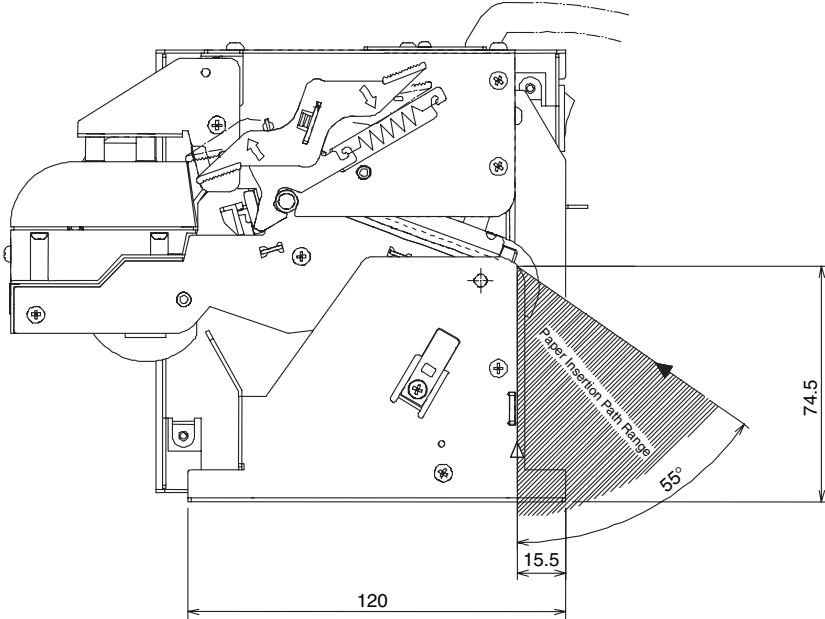
When implementing paper collection, be sure to prepare the paper collection hole as shown below.

Be careful to prevent irregularity, burr, etc. along the collecting path. Otherwise paper jam may occur.



5.3 Notes on Paper Insertion Path

When feeding paper without using optional PHU-3***, set the paper path in the following range. When using a large-diameter paper roll, be sure to provide a shock absorber to prevent shock during rotation of paper roll.

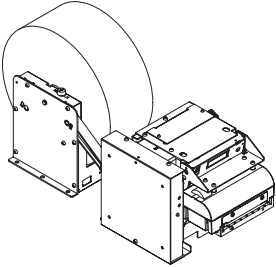
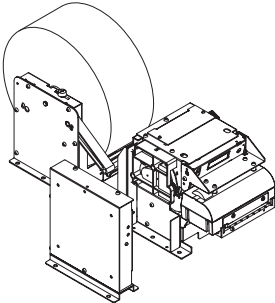
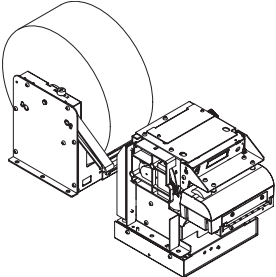
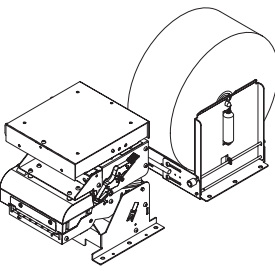
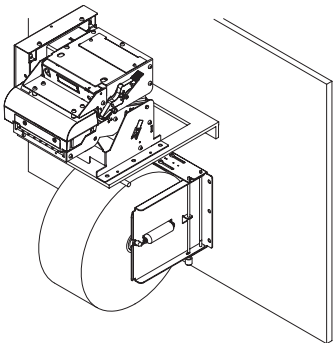
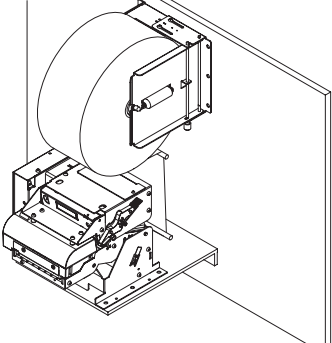


5.4 PHU-3*** (Paper Feed Unit) Installation

Refer to "Appendix-2. PHU-3*** (Paper Feed Unit) Installation".

5.5 Layout Examples of Control Box

Separation of Control Box from Printer allows you to enjoy free layout.

PPU-700 Layout Example (1/3)	
	
<p>Basic Type</p>	<p>Example 1) With board installed separately.</p>
PPU-700 Layout Example (2/3)	
	
<p>Example 2) With board installed below PPU-700.</p>	<p>Example 3) With board installed above PPU-700.</p>
PPU-700 Layout Example (3/3)	
	
<p>Example 4) With paper holder installed under PPU-700.</p>	<p>Example 5) With paper holder installed above PPU-700.</p>

6. DIP SWITCHES

6.1 Setting DIP Switches

The DIP switch is located on the serial interface board of the printer. DIP switch setting with the printer power on is not valid. After setting, turn the printer power on.

1. Turn the printer power off.
2. Remove the screw from the board. (Be sure not to have the screw be lost.)
3. Slide the interface board to remove it.
4. Set the DIP switch.
5. After setting, remount the interface board and screw it.



CAUTION!

- Pay attention to the edge of the interface board.
- The screw used is M2 × 3 mm. Do not use screws of other size. (If the screw is lost, use the screw of the same size. Do not use longer size.)
- Turn the printer power off before setting DIP switches. Otherwise, a failure may occur.
- Do not use keen edged tool when setting the DIP switch.
- Do not use the printer with the interface board removed.

6.2 DIP Switch Functions

DIP Switches

Switch No.	Function	ON	OFF	Factory Setting
1	Setting and selecting condition for communication	DIP switch setting is enabled.	DIP switch setting is disabled.	ON
2	Communication mode	Xon/Xoff	DTR/DSR	OFF
3	Bit length	7-bit	8-bit	OFF
4	Parity check	With parity	No parity	OFF
5	Selecting parity	Even parity	Odd parity	OFF
6	Selecting baud rate	(See Table 1)		ON
7				ON
8	INIT	Reset	Disabled	OFF

Table 1 Selecting baud rate

Baud Rate (bps)	Switch No.	
	6	7
2,400	OFF	OFF
4,800	ON	OFF
9,600	OFF	ON
19,200	ON	ON

7. MEMORY SWITCHES

7.1 Setting Memory Switches

Memory switch is a generic name for the following.

- (1) Memory switches MSW1, MSW2, MSW3, MSW4
- (2) Customize value
- (3) Condition for communication through serial interface

The memory switch can be selected, changed, or written by the combination of three actions: pressing the FEED switch, pressing and holding the FEED switch, and opening or closing the paper cover.

1. Entering memory switch setting mode

Set paper to the printer and keep the printer cover open. With the FEED switch pressed and held, turn the printer power on, and then press the FEED switch twice. Close the cover. If the current settings of the memory switch, etc. are printed, the printer is now in the memory switch setting mode.

2. Selecting memory switch

When the FEED switch is pressed short (within 2 seconds), printing occurs in the order of "MSW1" → "MSW2" → "MSW3" → "MSW4" → "Write/Factory Setting" → "MSW1" → repeatedly. When the memory switch you want to change is reached, press and hold the FEED switch (for more than 2 seconds).

3. Selecting each switch item

There are eight setting items for each switch. Press and hold the FEED switch for long (within 2 seconds), the printer goes to the next item and prints the current setting of the item. Repeat pressing and holding till the item you want to change setting is reached.

4. Changing the setting

When the item you want to change is reached, press the FEED switch short. The changed set value is printed. To return to the previous setting press the FEED switch short. When you press the FEED switch long, the set value is accepted and then the printer goes to the next setting item.

5. Returning to the memory switch select mode

When the setting of the desired content is completed, open the paper cover and then close the paper cover. This allows the printer to print the setting of the changed memory switch.

6. Saving the setting and exiting the memory switch setting mode

Press the FEED switch short to move to "Write/Factory Setting". Then press and hold the FEED switch. The printer prints the content of new setting and exits the memory switch setting mode to return to the normal standby state.

* Unless saving the setting is executed, the changed setting cannot be enabled.

7. Initializing the memory switch

When you want to return the memory switch setting to the initial state, go to "Write/Factory Setting" in the above procedure. Here, open the paper cover and press and hold the FEED switch. This allows the printer to return to the initial state.

* All the memory switch settings are returned to the factory set values.

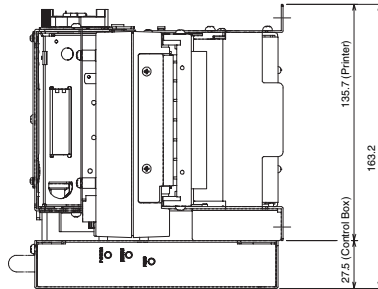
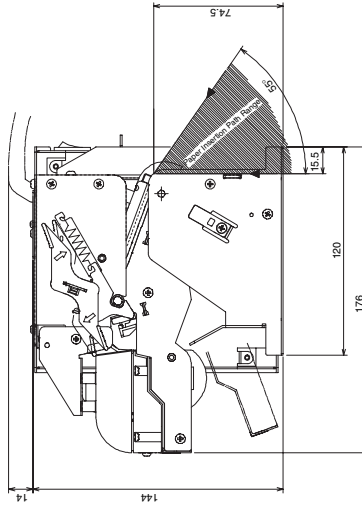
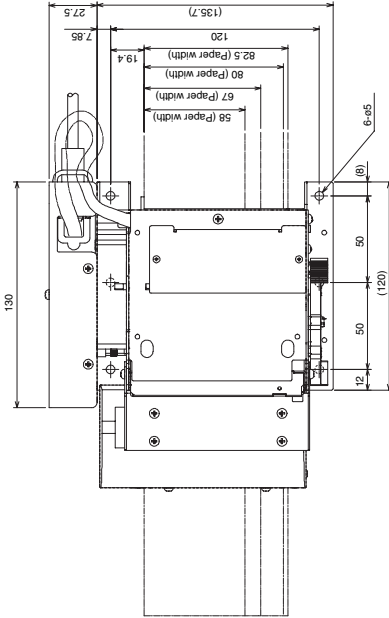
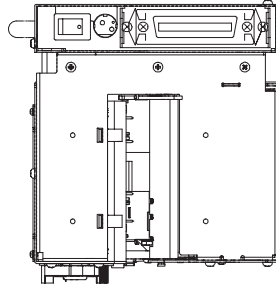
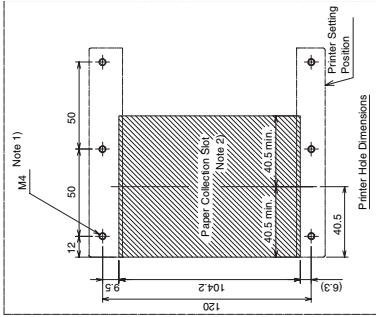
7.2 Memory Switch Functions

No.	Function	OFF	ON
MSW1-1	Power ON Info	● Valid	Not send
MSW1-2	Buffer Size	● 4K bytes	45 bytes
MSW1-3	Busy Condition	● Full/Err	Full
MSW1-4	Receive Error	● Print ?	Invalid
MSW1-5	CR Mode	● Ignored	LF
MSW1-6	Reserved	● Fixed	—
MSW1-7	DSR Signal	● Invalid	Valid
MSW1-8	INIT Signal	● Invalid	Valid
MSW2-1	Reserved	—	● Fixed
MSW2-2	Reserved	—	● Fixed
MSW2-3	Spool print	Invalid	● Valid
MSW2-4	Full col print	CBM1000	● EPSON
MSW2-5	Resume aft PE	● Print next line	Print top
MSW2-6	Reserved	● Fixed	—
MSW2-7	Reserved	● Fixed	—
MSW2-8	PNE sensor	● Valid	Invalid
MSW3-1	Resum Ctrr Err	● Valid	Invalid
MSW3-2	Resum Open Err	● Close	Command
MSW3-3	Parallel 31 Pin	● Valid	Invalid
MSW3-4	Paper Select	● Thermal	Black MK
MSW3-5	Reserved	● Fixed	—
MSW3-6	Reserved	● Fixed	—
MSW3-7	Emulation	● PPU-231	TM-L90
MSW3-8	Open w/Printing	● Auto	Possible
MSW4-1	Reserved	● Fixed	—
MSW4-2	Reserved	● Fixed	—
MSW4-3	Pape Top Feed	● Valid	Invalid
MSW4-4	Collect mode	● Invalid	Valid
MSW4-5	Collecti Direction	● Rear	Front
MSW4-6	Collect Method	● General	Direct
MSW4-7	Print Continue	● Invalid	Valid
MSW4-8	Reserved	● Fixed	—

● Default (Factory shipment)

APPENDIX-1. PPU-700 EXTERNAL VIEW

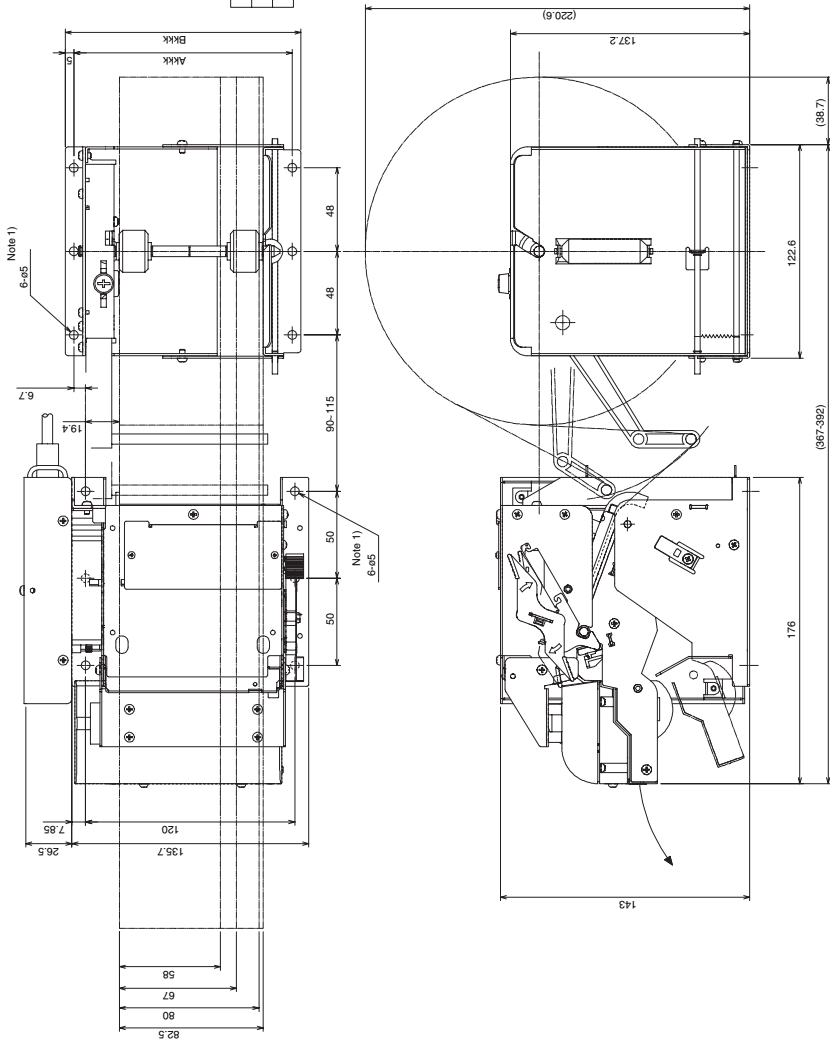
Unit: mm



Notes: 1) Fix at 2 places or more in one side totaling 4 places or more.
 2) When collecting paper, be sure to prepare a paper collection hole.

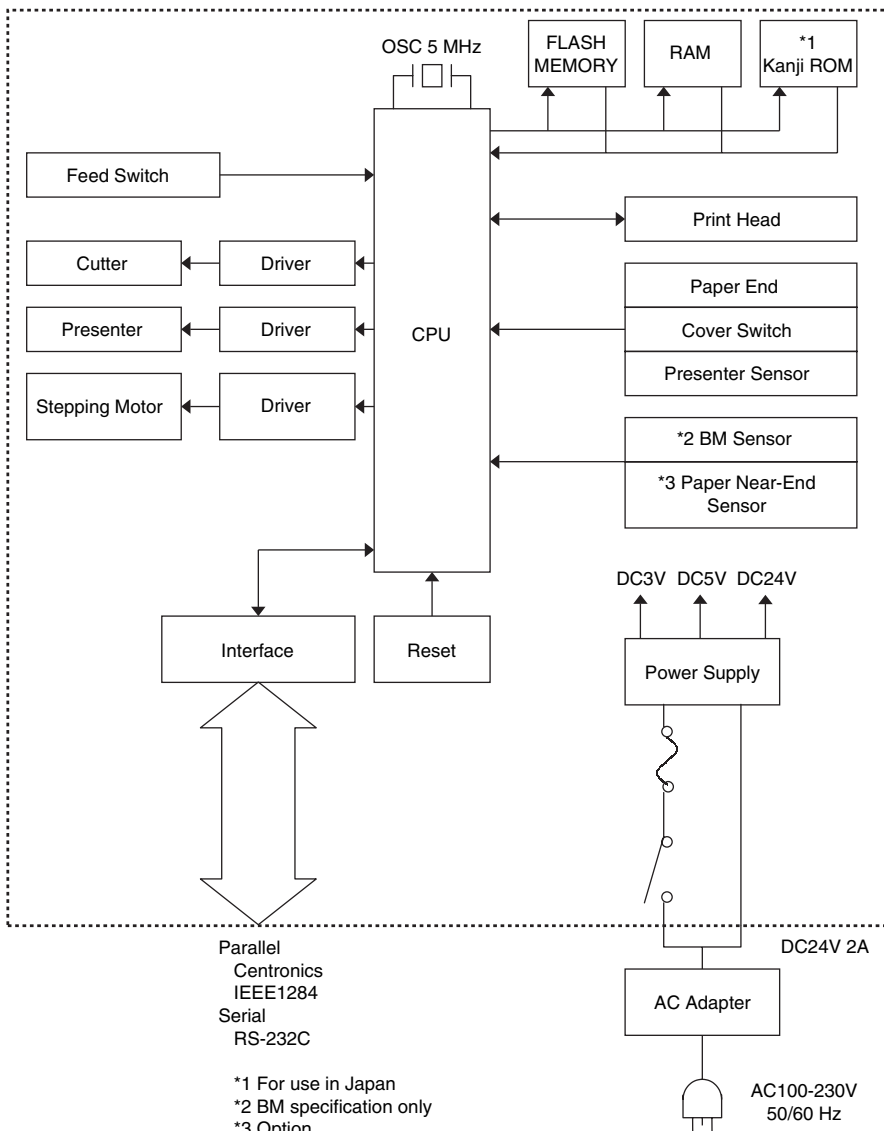
APPENDIX-2. PHU-3*** (PAPER FEED UNIT) INSTALLATION

Paper width	59	67	80	82.5
Dimension A	103.2	112.2	125.2	127.7
Dimension B	113.2	122.2	135.2	137.7



Note: 1) Fix at 2 places or more in one side totaling 4 places.

APPENDIX-3. BLOCK DIAGRAM



DEUTSCH

ALLGEMEINE VORSICHTSMASSNAHMEN

1. Der Hersteller behält sich vor, die in dieser Anleitung enthaltenen Informationen ohne vorherige Ankündigung zu ändern.
2. Jegliche Reproduktion und Weitergabe von Teilen oder der Gesamtheit dieser Anleitung ohne vorherige Genehmigung von CITIZEN SYSTEMS ist untersagt.
3. Mit Ausnahme der in diesem Handbuch genannten Fälle darf das Gerät nicht selbst gewartet, zerlegt oder repariert werden.
4. Beachten Sie, dass CITIZEN SYSTEMS keine Haftung für jegliche Störungen übernimmt, die infolge von unsachgemäßer Verwendung oder nicht geeigneter Betriebsumgebungen auftreten, auch wenn in diesem Handbuch nicht darauf hingewiesen wird.
5. Bedienen Sie diesen Drucker nur wie in diesem Handbuch beschrieben. Andernfalls besteht die Gefahr von Unfällen oder anderen Problemen.
6. Die vom Gerät verarbeiteten Daten sind grundsätzlich für eine temporäre Nutzung vorgesehen und werden nicht über längere Zeiträume oder permanent gespeichert. Beachten Sie, dass CITIZEN SYSTEMS keine Haftung für jegliche Schäden oder entgangene Verluste übernimmt, die aus Datenverlusten infolge von unvorgesehenen Ereignissen, Reparaturen, Tests oder sonstig entstehen.
7. Wenn Ihnen fehlende Informationen, Fehler oder Unklarheiten auffallen, wenden Sie sich an Ihren CITIZEN SYSTEMS-Händler.
8. Bitte beachten Sie, dass CITIZEN SYSTEMS keine Verantwortung für jegliche Ergebnisse der Verwendung dieses Druckers übernehmen kann, ungeachtet was in "7" oben angegeben ist.



Dies ist ein Informationstechnologiegerät der Klasse A, basierend auf dem VCCI-Standard (Voluntary Control Council for Interference by Information Technology Equipment). Wenn dieses Gerät in einer Heimumgebung verwendet wird, besteht die Gefahr von Funkstörungen. In diesem Fall kann der Benutzer verpflichtet sein, geeignete Abhilfemaßnahmen zu ergreifen.

SICHERHEITSMASSNAHMEN ... DIE SIE STRIKT EINHALTEN MÜSSEN

Lesen Sie sich vor der erstmaligen Verwendung des Produkts die SICHERHEITSMASSNAHMEN sorgfältig durch.

Bei unsachgemäßem Betrieb kann es zu Unfällen kommen (Feuer, elektrische Schläge oder Verletzungen).

- Bewahren Sie das Handbuch danach an einem sicheren, leicht zugänglichen Ort auf, um bei Bedarf darauf zurückgreifen zu können.
- Einige der im Handbuch enthaltenen Beschreibungen sind möglicherweise für Ihr Druckermodell nicht von Bedeutung.

Um Verletzungen von Benutzern und Dritten sowie materielle Schäden zu vermeiden, werden im vorliegenden Handbuch spezielle Warnsymbole verwendet, die auf wichtige Informationen hinweisen.

Nachstehend wird der Grad der Gefahren und Schäden beschrieben, die bei unsachgemäßem Betrieb des Druckers oder Nichtbeachtung der durch die Warnsymbole gekennzeichneten Hinweise entstehen können.

WARNHINWEIS

Bei Nichtbeachtung derartig gekennzeichneteter Informationen kann es zu schweren oder tödlichen Verletzungen kommen.

VORSICHT

Bei Nichtbeachtung derartig gekennzeichneteter Informationen kann es zu Verletzungen oder materiellen Schäden kommen.



Dieses Symbol wird verwendet, um Sie auf wichtige Informationen aufmerksam zu machen.



Dieses Symbol weist auf Gefahren durch elektrische Schläge und mögliche Schäden durch statische Elektrizität hin.



Dieses Symbol weist darauf hin, dass der Netzstecker des Geräts zu ziehen ist.



Dieses Symbol wird verwendet, um wichtige Informationen zum Betrieb des Geräts hervorzuheben.



Dieses Symbol dient zur Warnung vor unzulässigen Eingriffen.

WARNHINWEIS

Verwenden und lagern Sie das Gerät nicht an Orten, an denen es folgenden Einflüssen ausgesetzt ist:

- Flammen oder hohe Luftfeuchtigkeit
- Direkte Sonneneinstrahlung
- Heißluftströme oder Abwärme von Heizgeräten
- Salzige Luft oder korrosive Gase
- Unzureichende Belüftung
- Chemische Reaktionen in Laboren
- Ölnebel, Stahlpartikel oder Staub
- Statische Elektrizität oder starke Magnetfelder
- **Die Nichtbeachtung dieser Warnhinweise kann zu Ausfällen des Druckers, Überhitzung sowie Rauch, Feuer oder elektrischen Schlägen führen.**



Keine Gegenstände in den Drucker einführen. Keine Flüssigkeiten in den Drucker spritzen. Keine Gegenstände auf dem Drucker ablegen.

- Keine Metallgegenstände wie Büroklammern, Heftklammern oder Schrauben in den Drucker fallen lassen.
- Keine Blumenvasen, Töpfe oder Tassen mit Flüssigkeiten auf dem Drucker abstellen.
- Darauf achten, dass nicht Kaffee, Softdrinks oder sonstige Flüssigkeiten in den Drucker geraten.
- Keine Insektenvertilgungsmittel oder sonstige Chemikalien auf den Drucker sprühen.
- Verwenden Sie keine flüchtigen organischen Lösungsmittel wie Alkohol, Terpentin, Trichorethylen, Benzol oder Keton.
- **Wenn Fremdgegenstände aus Metall in den Drucker geraten, kann es zum Ausfall des Druckers, Bränden oder elektrischen Schäden kommen. In derartigen Fällen ist der Drucker sofort abzuschalten und vom Netz zu trennen. Wenden Sie sich an Ihren örtlichen CITIZEN SYSTEMS-Händler.**



Gehen Sie stets sachgemäß mit dem Drucker um:

- Den Drucker keinen Stößen oder Schlägen aussetzen (z.B. Tritte, Schütteln, Stöße mit harten Gegenständen).
- Den Drucker nicht demontieren oder sonstig modifizieren.
- **Bei nicht sachgemäßem Umgang kann es zum Ausfall des Druckers, Überhitzung sowie Brand- und Rauchentwicklung oder elektrischen Schlägen kommen.**



Platzieren, verwenden und lagern Sie den Drucker außerhalb der Reichweite von Kindern.

- **Von elektrischen Geräten können bei unsachgemäßer Handhabung oder Verwendung Unfall- und Verletzungsrisiken ausgehen.**
- **Achten Sie darauf, dass sich das Netzkabel und die Signalkabel außerhalb der Reichweite von Kindern befinden. Der Drucker ist so aufzustellen, dass Kinder keinen Zugang zum Geräteinnern erlangen können.**
- **Die Kunststoffhülle, in der sich der Drucker bei der Lieferung befindet, ist ordnungsgemäß zu entsorgen oder außerhalb der Reichweite von Kindern aufzubewahren. Wenn die Hülle über den Kopf gezogen wird, besteht Erstickengefahr.**



WARNHINWEIS

Beachten Sie die nachstehenden Vorsichtsmaßnahmen zur Stromversorgung und zum Netzkabel:

- Den Netzstecker nicht mit feuchten Händen anschließen oder ziehen.
- Betreiben Sie den Drucker ausschließlich mit der angegebenen Netzspannung und -frequenz.
- Verwenden Sie für den Drucker ausschließlich das angegebene externe Netzteil.
- Stellen Sie sicher, dass die Netzsteckdose, an die der Drucker angeschlossen ist, eine ausreichende Belastbarkeit aufweist.
- Verwenden Sie zur Stromversorgung keine Anschlussleisten oder Mehrfachsteckdosen, an die gleichzeitig auch andere Geräte angeschlossen sind.
- Säubern Sie den Netzstecker vor dem Anschließen an die Netzsteckdose von Staub und anderen Ablagerungen.
- Verwenden Sie keine verformten oder beschädigten Netzkabel.
- **Bei nicht sachgemäßem Umgang kann es zum Ausfall des Druckers, Brand- und Rauchentwicklung oder elektrischen Schlägen kommen.**
- **Bei Überlastung kann sich das Netzkabel überhitzen und in Brand geraten oder der Schutzschalter ausgelöst werden.**
- Verwenden Sie den Drucker nicht, wenn Gegenstände auf dem Netzkabel stehen oder jemand darauf tritt.
- Achten Sie darauf, dass das Netzkabel beim Benutzen und Transportieren des Druckers nicht verbogen oder verdreht und keinem Zug ausgesetzt wird.
- Versuchen Sie nicht, das Netzkabel zu modifizieren.
- Verlegen Sie das Netzkabel nicht in der Nähe von Heizgeräten.
- **Die Nichtbeachtung dieser Vorsichtsmaßnahmen kann Drahtbrüche oder Beschädigungen der Isolierung zur Folge haben, wodurch die Gefahr von Kriechströmen, elektrischen Schlägen oder Beschädigungen des Druckers besteht. Wenn das Netzkabel beschädigt wurde, wenden Sie sich bitte an Ihren CITIZEN SYSTEMS-Händler.**
- Stellen Sie sicher, dass der Zugang zur belegten Steckdose nicht durch abgestellte Gegenstände behindert wird.
- Versorgen Sie den Drucker über eine günstig platzierte Steckdose, die im Notfall problemlos zugänglich ist.
- **In Notfällen wird der Drucker möglicherweise nicht sofort abgeschaltet.**
- Stecken Sie den Netzstecker ordnungsgemäß in die Steckdose.
- Ziehen Sie bei geplanter längerer Nichtbenutzung des Geräts den Netzstecker aus der Steckdose.



VORSICHT

Verwenden und lagern Sie das Gerät nicht an Orten, an denen es folgenden Einflüssen ausgesetzt ist:

- Flammen oder hohe Luftfeuchtigkeit
- Direkte Sonneneinstrahlung
- Heißluftströme oder Abwärme von Heizgeräten
- Salzige Luft oder korrosive Gase
- Unzureichende Belüftung
- Chemische Reaktionen in Laboren
- Ölnebel, Stahlpartikel oder Staub
- Statische Elektrizität oder starke Magnetfelder
- **Andernfalls kann es zu Betriebsversagen, Rauch, Entzündung, Bränden oder elektrischen Schlägen kommen.**
- Stellen Sie den Drucker auf einer ebenen, stabilen und vibrationsfreien Fläche auf.
- **Andernfalls könnte der Drucker herunterfallen und Verletzungen verursachen.**



Unter folgenden Bedingungen darf der Drucker nicht verwendet werden:

- Wenn die Belüftungslöcher des Druckers durch Wände oder Gegenstände blockiert werden;
- Wenn sich Gegenstände auf dem Drucker befinden, oder
- Wenn der Drucker durch Kleidung oder Tücher zugedeckt ist.
- **Achten Sie darauf, dass es im Inneren des Geräts nicht zu Überhitzungen kommt, infolge derer es zu Bränden oder Verformungen des Gehäuses kommen kann.**
- Stellen Sie den Drucker nicht in der Nähe von Rundfunk- oder Fernsehempfängern auf und versorgen Sie ihn nicht zusammen mit derartigen Geräten aus derselben Steckdose.
- Vermeiden Sie es, den Drucker über nicht abgeschirmte Kabel oder Leitungen zu betreiben. (Verwenden Sie für die Signalleitungen abgeschirmte Kabel oder verdrehte Doppelkabel mit Ferritkernen oder andere Abschirmverfahren.)
- Benutzen Sie den Drucker nicht zusammen mit Geräten, die starke Störstrahlung abgeben.
- **Der Drucker kann den Radio- oder Fernsehempfang in der Umgebung beeinträchtigen. Es besteht auch die Möglichkeit, dass benachbarte elektrische Geräte den Drucker beeinflussen und dadurch Datenfehler oder Funktionsstörungen auftreten.**



Erden Sie den Drucker vor der Benutzung in geeigneter Weise.

- **Bei Auftreten von Kriechströmen besteht Stromschlaggefahr.**
- Schließen Sie den Erdungsleiter des Druckers nicht an folgende Gegenstände an:
- Gasleitungen
 - **Andernfalls besteht die Gefahr von Gasexplosionen.**
 - Erdungen von Telefonleitungen
 - Blitzableiter
 - **Andernfalls besteht bei Blitzeinschlägen besteht:leave out is double durch Spannungsspitzen Brand- oder Stromschlaggefahr.**
 - Wasserleitungen
 - **Wasserleitungen aus Kunststoff sind zur Erdung nicht geeignet (sofern keine Zustimmung der zuständigen Wasserwerke vorliegt).**
- Vor Anschließen oder Trennen des Druckererdungsleiters stets den Netzstecker des Geräts ziehen.



VORSICHT

Beachten Sie die nachstehenden Vorsichtsmaßnahmen zur Stromversorgung und zum Netzkabel:

- Betreiben Sie den Drucker ausschließlich mit der angegebenen Netzspannung und -frequenz.
- Verwenden Sie für den Drucker ausschließlich das angegebene externe Netzteil.
- Stellen Sie sicher, dass die Netzsteckdose, an die der Drucker angeschlossen ist, eine ausreichende Belastbarkeit aufweist.
- Verwenden Sie zur Stromversorgung keine Anschlussleisten oder Mehrfachsteckdosen, an die gleichzeitig auch andere Geräte angeschlossen sind.
- Säubern Sie den Netzstecker vor dem Anschließen an die Netzsteckdose von Staub und anderen Ablagerungen.
- **Bei nicht sachgemäßem Umgang kann es zum Ausfall des Druckers, Brand- und Rauchentwicklung oder elektrischen Schlägen kommen.**
- **Bei Überlastung kann sich das Netzkabel überhitzen und in Brand geraten oder der Schutzschalter ausgelöst werden.**
- Stellen Sie sicher, dass der Zugang zur belegten Steckdose nicht durch abgestellte Gegenstände behindert wird.
- Verwenden Sie den Drucker in der Nähe einer günstig platzierten Steckdose, die im Notfall problemlos zugänglich ist.
- **Andernfalls wird in Notfällen der Drucker möglicherweise nicht sofort abgeschaltet.**
- Stecken Sie den Netzstecker ordnungsgemäß in die Steckdose.
- Ziehen Sie bei geplanter längerer Nichtbenutzung des Geräts den Netzstecker aus der Steckdose.



Den Netzstecker oder andere Kabelstecker nur bei ausgeschaltetem Gerät anschließen oder abziehen, und dabei immer am Stecker/Steckverbinder und nicht am Kabel greifen.

Unter folgenden Umständen dürfen das Netzkabel oder andere Kabel nicht verwendet werden.

- Eine Situation wo Gegenstände auf dem Netzkabel stehen oder jemand darauf tritt.
- Eine Situation, wo der Drucker benutzt wird oder transportiert wird, wobei das Netzkabel verbogen, verdreht oder gezogen wird.
- Verlegen Sie das Netzkabel nicht in der Nähe von Heizgeräten.
- Versuchen Sie nicht, das Netzkabel zu modifizieren.
- **Die Nichtbeachtung dieser Vorsichtsmaßnahmen kann Drahtbrüche oder Beschädigungen der Isolierung zur Folge haben, wodurch die Gefahr von Kriechströmen, elektrischen Schlägen oder Beschädigungen des Druckers besteht. Wenn das Netzkabel beschädigt wurde, wenden Sie sich bitte an Ihren CITIZEN SYSTEMS-Händler.**



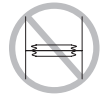
Stellen Sie sicher, dass die Kabel ordnungsgemäß mit den Anschlüssen verbunden sind.

- **Bei Querschaltung kann es zu Beschädigungen der Druckerelektronik oder der Hardware des Host-Systems kommen.**

VORSICHT

Beachten Sie die folgenden Hinweise, um Fehlfunktionen zu vermeiden.

- Den Drucker nicht mit nicht ordnungsgemäß eingesetzter Papierrolle verwenden.
- Kein Papier verwenden, das nicht den Spezifikationen entspricht.
- **Andernfalls kann der Thermodruckkopf beschädigt werden und schlechte Druckqualität verursachen.**
- Keine Metallgegenstände wie Büroklammern, Heftklammern oder Schrauben in den Drucker fallen lassen.
- Darauf achten, dass nicht Kaffee oder sonstige Flüssigkeiten in den Drucker geraten.
- Keine Insektenvertilgungsmittel oder sonstige Chemikalien auf den Drucker sprühen.
- **Wenn Fremdgegenstände aus Metall in den Drucker geraten, kann es zum Ausfall des Druckers, Bränden oder elektrischen Schäden kommen. In derartigen Fällen ist der Drucker sofort abzuschalten und vom Netz zu trennen. Wenden Sie sich an Ihren örtlichen CITIZEN SYSTEMS-Händler.**
- Kein eingerissenes oder mit Klebestreifen zusammengefügt Papier verwenden.
- Nicht mit der Hand gewaltsam am bereits eingesetzten Papier ziehen.
- **Andernfalls kann Papierstau auftreten. Wenn Papierstau auftritt, muss dieser richtig unter Beachtung des Abschnitts "Beseitigen von Papierstaus" in diesem Handbuch entfernt werden.**
- Den Drucker keinen Stößen oder Schlägen aussetzen (z.B. Tritte, Schütteln, Stöße mit harten Gegenständen).



Beachten Sie die folgenden Hinweise, um bei Ausfällen des Geräts Verletzungen und Beschädigungen zu vermeiden.

- Die Druckoberfläche des Thermokopfes nicht berühren.
- Berühren Sie während des Druckerbetriebs keine beweglichen Teile im Inneren des Druckers (z.B. Papierschneider, Zahnräder und aktivierte elektrische Bauteile).
- Versuchen Sie nicht, den Drucker bei etwaigen Problemen selbst zu reparieren. Verständigen Sie den CITIZEN SYSTEMS-Kundendienst.
- Achten Sie darauf, sich nicht an der Druckerabdeckung die Hand oder Finger einzuklemmen.
- Achten Sie darauf, sich nicht an scharfen Kanten im Drucker zu verletzen und daran keine anderen Gegenstände zu beschädigen.
- **Hier besteht Stromschlag-, Verbrennungs- und Verletzungsgefahr.**
- **Falls sich beim Drucken Rauch entwickelt oder der Drucker ungewöhnliche Gerüche oder Geräusche erzeugt, den Druckvorgang sofort abbrechen und den Netzstecker aus der Steckdose ziehen.**



TÄGLICHE WARTUNG

Beachten Sie bei der täglichen Wartung die folgenden Vorsichtsmaßnahmen:

- Vor dem Reinigen ist der Drucker stets auszuschalten und der Netzstecker zu ziehen.
- Zum Abwischen der Oberfläche des Druckergehäuses ein weiches, trockenes Tuch verwenden.
- Hartnäckige Verschmutzungen mit einem weichen Tuch entfernen, das leicht mit Wasser befeuchtet wurde.
- Verwenden Sie keine flüchtigen organischen Lösungsmittel wie Alkohol, Terpentin, Trichorethylen, Benzol oder Keton. Verwenden Sie keine chemisch behandelten Reinigungstücher.
- Zum Entfernen von Papierstaub einen weichen Pinsel verwenden.
- Zum Transport des Druckers ist die Papierrolle aus dem Papierrollenhalter zu nehmen.



VORSICHT

- **Unmittelbar nach dem Drucken ist der Thermokopf sehr heiß, sodass Verbrennungsgefahr besteht. Warten Sie vor Wartungsarbeiten ab, dass der Thermokopf abgekühlt ist.**
- Den Thermokopf durch Abwischen des Staubs von der Oberfläche des Heizelements auf dem Druckkopf mit leicht mit Alkohol befeuchteter Gaze reinigen.

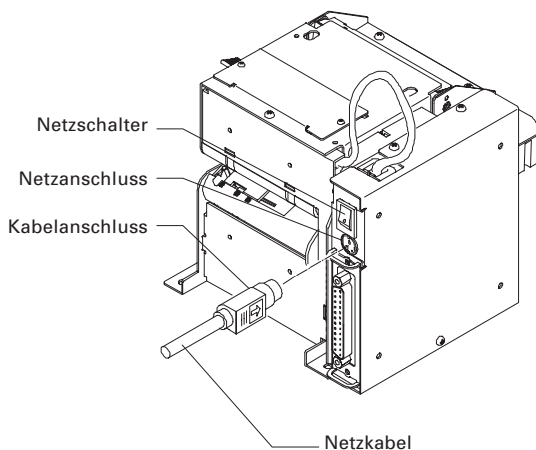
VORSICHT

- **Berühren Sie das Heizelement des Druckkopfes nicht mit bloßen Händen oder über einen Metallstreifen.**
- **Unmittelbar nach dem Drucken ist der Thermokopf sehr heiß, sodass Verbrennungsgefahr besteht. Warten Sie vor Wartungsarbeiten ab, dass der Thermokopf abgekühlt ist.**
- Den Presenter durch Abwischen des Staubs von der Oberfläche der Gummiwalze auf dem Druckkopf mit leicht mit Alkohol befeuchteter Gaze reinigen.

4. BEDIENUNG

4.1 Anschließen des Netzteils und Netzkabels

1. Schalten Sie den Drucker aus.
2. Bestätigen Sie die Richtung des Kabelsteckers am Netzteil und stecken Sie diesen bis zum Einrasten in den Netzanschluss ein.

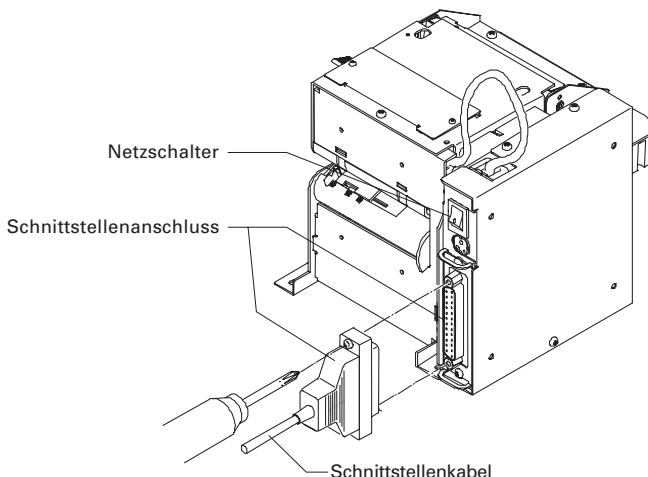


VORSICHT!

- Sorgen Sie für 24 V Gleichstrom $\pm 7\%$ Betriebsspannung.
- Geräte, die Rauschen erzeugen können, dürfen nicht an die gleiche Steckdose angeschlossen werden.
- Ziehen Sie bei Gewitter das Netzkabel aus der Steckdose und verwenden den Drucker nicht. Bei Blitzeinschlägen besteht die Gefahr von Bränden oder elektrischen Schlägen.
- Greifen Sie beim Einstecken oder Abziehen des Netzteil-Kabelsteckers immer am Stecker und nicht am Kabel.
- Ziehen Sie nicht am Netzkabel. Andernfalls kann das Netzkabel beschädigt werden, wodurch die Gefahr von Bränden, elektrischen Schlägen und Stromausfällen verursacht wird.
- Verlegen Sie das Netzkabel nicht in der Nähe von Heizgeräten. Die Isolierung des Kabels kann durch Brände oder elektrische Schläge schmelzen.
- Wenn Sie den Drucker längere Zeit nicht verwenden, ziehen Sie zur Sicherheit das Netzkabel aus der Steckdose.

4.2 Anschließen der Schnittstellenkabel

1. Schalten Sie den Drucker aus.
2. Schließen Sie den Schnittstellenstecker in richtiger Richtung an.
3. Befestigen Sie den Schnittstellenstecker mit einem Schraubenzieher.
4. Schließen Sie das andere Ende des Schnittstellenkabels am Host an.

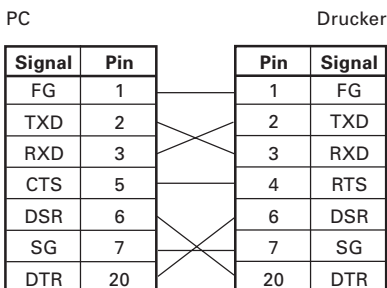


⚠ VORSICHT!

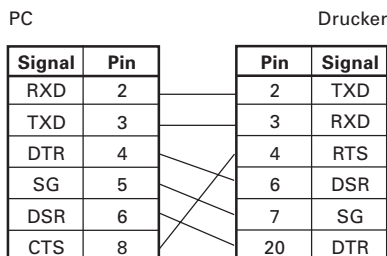
- Bestätigen Sie die Pinbelegung für Schnittstellenstecker und Kabel. Falsche Verdrahtung kann zu Störungen, Fehlfunktionen o.ä. am Computer ebenso wie am Drucker führen.
- Greifen Sie beim Einstecken oder Abziehen des Schnittstellenkabelsteckers immer am Stecker und nicht am Kabel. Durch Greifen am Kabel können die Kabeladern reißen.
- Stellen Sie sicher, dass das Schnittstellenkabel fest angeschlossen ist. Schlechter Kontakt kann zu Kommunikationsfehlern führen.

Für das Schnittstellenkabel sind folgende Anschlusstypen erforderlich:

25-Pin – 25-Pin-Kabel

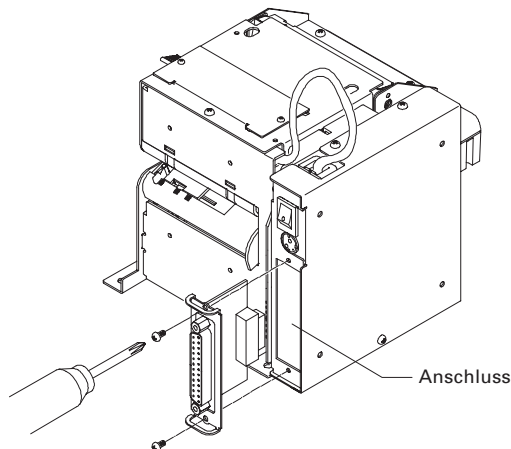


9-Pin – 25-Pin-Kabel



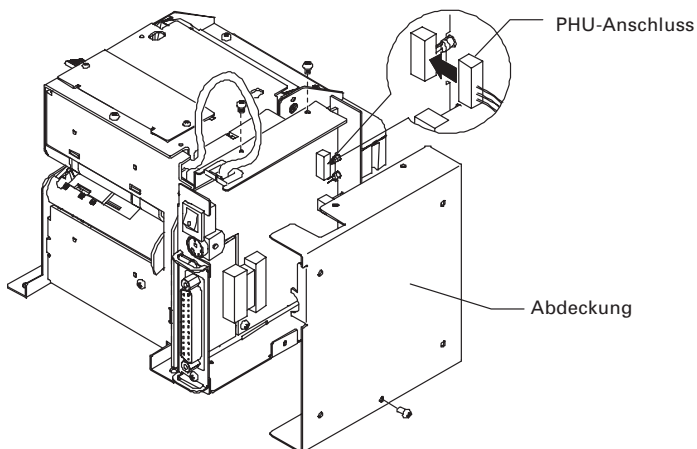
4.3 Austausch der Schnittstellenkarte

1. Schalten Sie den Drucker aus.
2. Entfernen Sie die beiden Schrauben von den Stellen wie in der Abbildung unten gezeigt und nehmen Sie die Schnittstellenkarte ab.
3. Schließen Sie den Stecker der ausgetauschten Schnittstellenkarte fest an.
4. Mit Schrauben befestigen.



4.4 Anschließen der PHU (Papierhaltereinheit)

1. Schalten Sie den Drucker aus.
2. Entfernen Sie die drei Schrauben am Steuerkasten und öffnen die Abdeckung.
3. Schließen Sie den PHU-Anschluss an den Anschluss an der Leiterplatte im Steuerkasten an, wie in der folgenden Abbildung gezeigt.



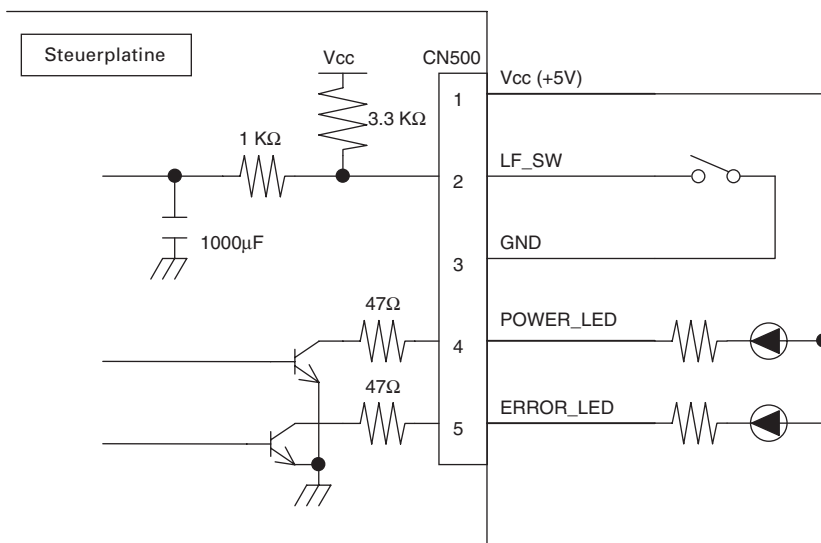
4.5 Anschluss für Bedienungsfeld (CN500)

Pinbelegung

Pin Nr.	Signalbezeichnung	Eingang/Ausgang	Funktion
1	Vcc	—	Stromversorgung für Schaltkreis (+5V)
2	LF_SW	Eingang	LF-Schaltereingang (Papierzufuhr)
3	GND	—	GND für Schaltkreis
4	POWER_LED	Ausgang	BETRIEBS-LED-Ausgang
5	ERROR_LED	Ausgang	FEHLER_LED-Ausgang

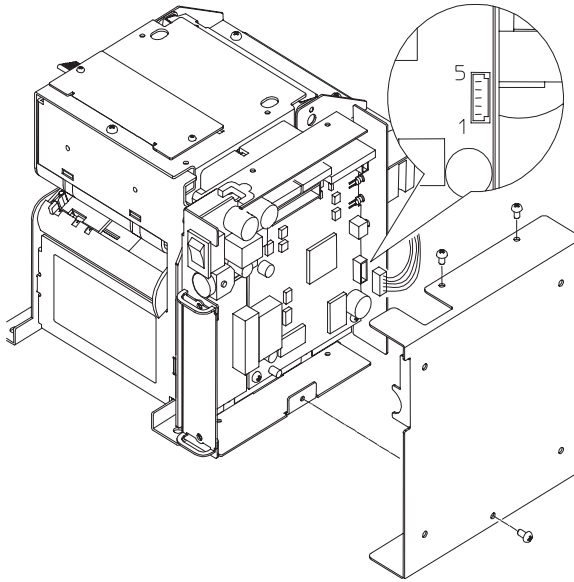
Verwendete Buchse: 53014-0510 (Molex)

Anschlussbeispiel



VORSICHT!

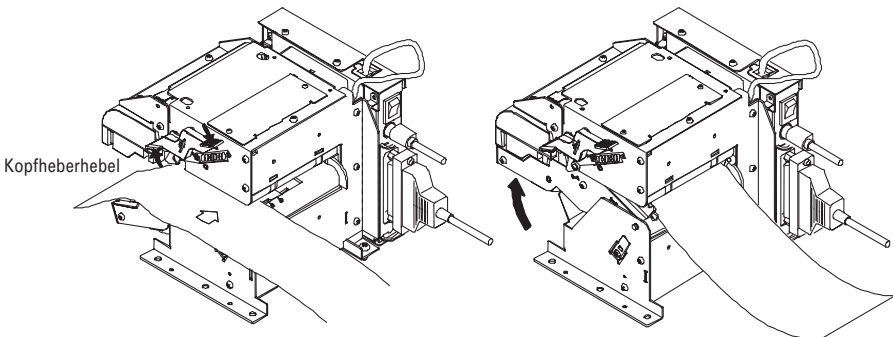
- Die BETRIEBS-LED und FEHLER-LED sind mit einem Widerstand von 47Ω an der Schaltkreisseite ausgestattet. Bei Verwendung der LED schließen Sie den Widerstand entsprechend der Stärke der LED an. (Sättigungsspannung über Kollektor und Emitter von Transistor $V_{CE(sat)} = 0.25V$ (max.))
- LF_SW-Eingangsbuchse hat die obige Schaltkreiskonfiguration. Ein Keramikkondensator ist an der Schaltkreisseite zum Verhindern von Schnattern vorhanden. Beachten Sie, dass Schnattern je nach Schalter bedeutend sein kann.



4.6 Einsetzen/Auswechseln der Papierrolle

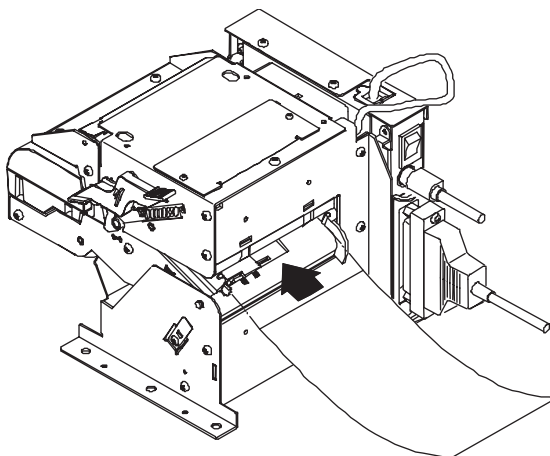
4.6.1 Papiereinsetzen von Papierseite-Ein

1. Öffnen Sie die Papierführung mit dem Kopfheberhebel.
2. Schneiden Sie das Oberende der Papierrolle im rechten Winkel zur Rollenrichtung ab. (Abb. 4-1)
3. Setzen Sie eine Papierrolle ein.
4. Stellen Sie sicher, dass das Papierrollenende in der Führung liegt. Schließen Sie die Papierführung.
5. Die Papierrolle wird automatisch eingelegt, und der Papierinitialisierungsvorgang startet.
6. Wenn der Papierinitialisierungsvorgang beendet ist, ist der Drucker druckbereit.



4.6.2 Papiereinsetzen durch automatisches Einlegen

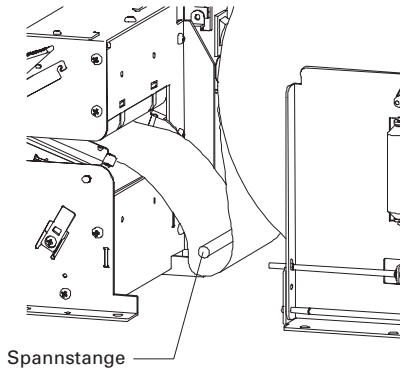
1. Halten Sie die Papierführung geschlossen.
2. Schneiden Sie das Ende des Rollenpapiers fast im rechten Winkel ab. (Abb. 4-1)
3. Setzen Sie die Papierrolle vom Papierschlitze ein, bis Zug spürbar wird.
4. Papier wird erkannt und automatisch eine bestimmte Zeit lang zugeführt, und dann beginnt der Papier-Initialisierungsvorgang.
5. Wenn der Papierinitialisierungsvorgang beendet ist, ist der Drucker betriebsbereit.
6. Wenn die Papierzufuhr versagt, das Papier einmal entnehmen und das Verfahren ab Schritt 3 wiederholen.



4.6.3 Bei Verwendung von PHU-3 *** (Papiereinzugeinheit)

Wenn die PHU-3*** (Papiereinzugeinheit) verwendet wird, muss das Papier immer über die Spannstange geführt werden.

Dieses Merkmal dient als Stoßdämpfer gegen die Erschütterung beim Drehen der Papierrolle, wodurch Zeichenverzerrung, verschleppter Papiereinzug oder Beschädigung des Papiereinzugmechanismus vermieden wird.



VORSICHT!

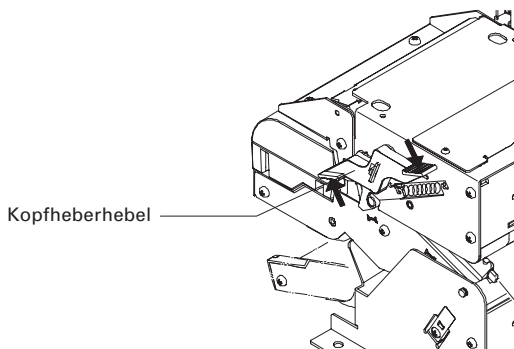
- Verwenden Sie ausschließlich die angegebene Papierrolle.
- Bei Verwendung anderer als der vorgeschriebenen Papierrollen können Garantien für Druckqualität, Kopflebensdauer, Presenter-Funktion usw. hinfällig werden.
- Setzen Sie das Rollenpapier nicht mit zerfaserter oder gebogener Kante ein. Andernfalls kann Papierstau oder falscher Papiereinzug auftreten.
- Wenn das Rollenpapier durchhängt, wickeln Sie die Rolle zurück, um den Durchhang zu entfernen.
- Wenn die Papierrolle schräg eingesetzt ist, öffnen Sie die Führung mit dem Kopfheberhebel und korrigieren Sie die Rollenposition oder entfernen die Papierrolle und setzen das Papier dann erneut ein.
- Beim automatischen Einlegen berühren Sie nicht das Rollenpapier. Andernfalls kann falscher Papiereinzug oder Schrägeinzug auftreten.
- Beim Drucken halten oder berühren Sie nicht das Rollenpapier. Andernfalls kann Papierstau auftreten.
- Wenn das Papiereinsetzen beendet ist, schaltet der Drucker auf druckbereiten Zustand. Beachten Sie, dass der Druck gleich nach dem Papiereinsetzen beginnt, falls Daten im Puffer sind.



Abb. 4-1

4.7 Entfernen der verbleibenden Papierrolle

1. Bedienen Sie den Kopfheberhebel.
2. Die Führung öffnet sich. Entfernen Sie die Papierrolle.

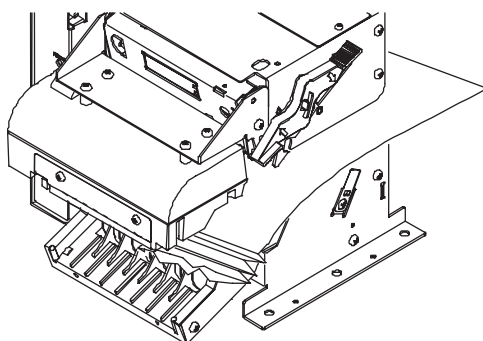


VORSICHT!

Unmittelbar nach dem Drucken ist der Thermokopf sehr heiß. Bei Eingriffen kurz nach dem Drucken muss dies beachtet werden.

4.8 Beseitigen von Papierstaus

1. Schalten Sie den Drucker aus.
2. Schneiden Sie das Rollenpapier an einer Stelle nahe am Papierschlitz ab.
3. Bedienen Sie den Kopfheberhebel zu Öffnen der Führung.



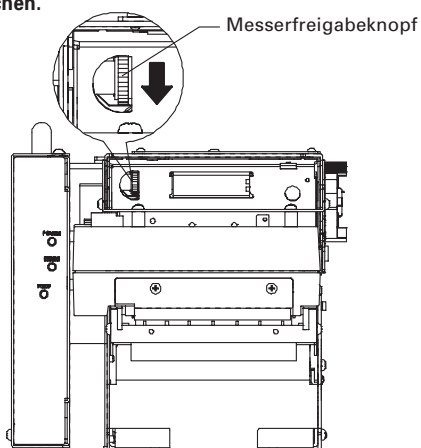
VORSICHT!

- Arbeiten Sie nicht kurz nach dem Druckvorgang am Druckkopf, da der Druckkopf noch heiß ist.
- Berühren Sie die Oberfläche des Heizelements des Druckkopfes nicht mit bloßen Händen oder mit Metallwerkzeugen.

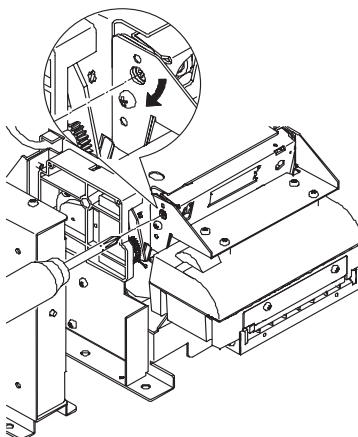
4.9 Beseitigen von Schnittmechanismusblockierungen

Wenn der Schnittmechanismus blockiert ist, kann es unmöglich sein, die Führung mit dem Kopfheberhebel zu öffnen. Gewaltsames Öffnen kann zu Schäden führen. Beseitigen Sie die Schnittmechanismusblockierung auf folgende Weise.

1. Drücken Sie die Vorschubtaste (FEED) oder schalten Sie den Drucker aus und dann wieder ein. Der automatische Schnittmechanismus beginnt den Initialisierungsvorgang zum Rücksetzen des Schnittmechanismus.
2. Wenn sich mit dem obigen Vorgang der Schnittmechanismus nicht zurücksetzen lässt, schalten Sie den Drucker aus und drehen den Messerfreigabeknopf des automatischen Schnittmechanismus in Pfeilrichtung mit einem spitzen Gegenstand (wie einer Pinzette oder einem Kugelschreiber). Das Messer des automatischen Schnittmechanismus wird wiederhergestellt.
3. Entfernen Sie das Restpapier auf dem Messer des Schnittmechanismus mit einer Pinzette oder dergleichen.



4. Wenn der Steuerkasten getrennt vom Drucker aufgestellt ist, drehen Sie das Kreuzloch in der Abbildung in Pfeilrichtung zum Rücksetzen des Messers.

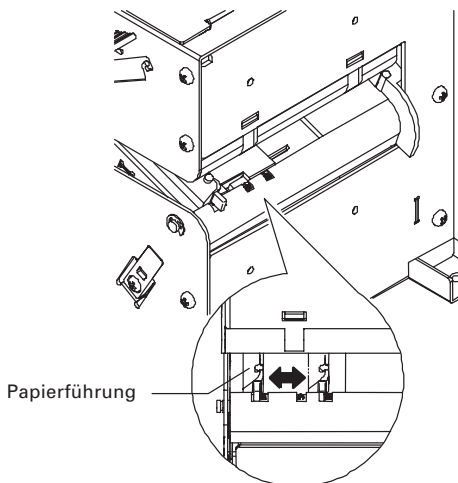


4.10 Ändern der Papierbreite

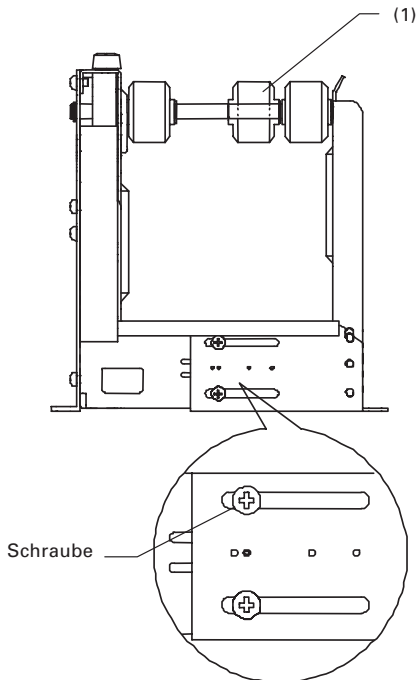
Der Drucker kann vier Arten von Papierbreiten akzeptieren: 82,5 mm, 80 mm, 67 mm und 58 mm.

Verwenden Sie das folgende Verfahren zum Einstellen der Papierbreite.

1. **Bewegen Sie die Papierführung des Papierschlitzes an der Rückseite des Druckers entsprechend der Papierbreite.**
(Ändern der Druckbreite ist mit einem Befehl möglich. Einzelheiten siehe Befehlsbeschreibung.)



- Wenn Sie den Papierhalter (PHU-3***) verwenden, lösen Sie die Schrauben (4 Stellen einschließlich Gegenseite) wie in der Abbildung gezeigt, stellen den Halter auf die vorgeschriebene Breite ein, und ziehen dann die Schrauben fest. Wenn die Papierbreite 58 mm oder 67 mm beträgt, nehmen Sie den E-Ring ab und bewegen die Papierwalze an dieser Position (1) in der Abbildung.



4.11 Vorschubtaste (FEED)

- Durch Drücken der Vorschubtaste (FEED) wird Papier eingezogen und Papier abgeschnitten.

4.12 Papierende

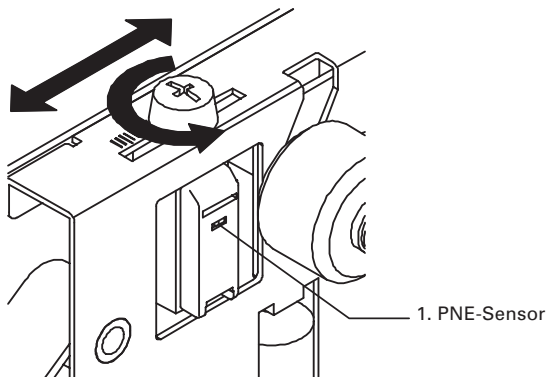
- Wenn kein Druckpapier im Drucker eingesetzt ist, werden die Alarme für Besetzt, Defekt oder P-Fehler über die parallele Schnittstelle ausgegeben, oder DTR-Ausgabe wird über die serielle Schnittstelle zum Drucker gesandt.
- Wenn Daten im Puffer verbleiben, geschieht Druck nach dem Einlegen von Papier.
- Setzen Sie eine neue Papierrolle entsprechend "4.5 Einsetzen/Auswechseln der Papierrolle" ein.
- Nach dem Papiereinsetzen werden die Ausgänge für Besetzt (DTR), Defekt und PE-Fehler gelöscht.

4.13 Papiermengensensor (bei Verwendung von PHU-3***)

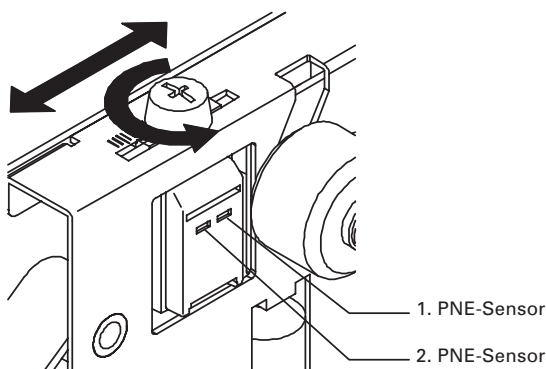
1. Wenn das Druckpapier zuende geht, sendet der Papiermengensensor (PNE) ein Signal zum Computer, um mitzuteilen, dass der Papiervorrat gering ist und den Druck zu stoppen. Diese Funktion wird mit dem Speicher-Switch aktiviert oder deaktiviert. Zur Einstellung des Speicher-Switches siehe "7.2 Speicher-Switch-Funktionen (MSW2-8)".
2. Der PNE-Sensor kann im folgenden Bereich durch Lösen der Oberschraube eingestellt werden.
3. Setzen Sie eine neue Papierrolle entsprechend "4.5 Einsetzen/Auswechseln der Papierrolle" ein.

Typ	Anzahl PNE-Sensoren	Einstellbereich (Außendurchmesser des Rollenpapiers)	
		1. PNE-Sensor	2. PNE-Sensor
PHU-3*1*	1	φ23,6 bis φ50	—
PHU-3*2*	2	φ23,6 bis φ40	φ33,6 bis φ50

Hinweis: Für PHU-3*2* ist der Abstand zwischen dem 1. PNE-Sensor und dem 2. PNE-Sensor auf 5 mm festgelegt.



PHU-3*1*



PHU-3*2*

4.14 Papierrückzug

1. Dieser Drucker hat eine Funktion zum automatischen Sammeln des ausgeworfenen Papiers. Diese Funktion wird mit dem Speicher-Switch aktiviert oder deaktiviert. Zur Einstellung des Speicher-Switches siehe "7.2 Speicher-Switch-Funktionen".
2. Nach dem Schneiden des Druckpapiers wird Papier automatisch gesammelt, nachdem eine bestimmte Zeit bei im Presenter eingelegtem Papier vergangen ist.
3. Die Zeit kann mit einem Befehl eingestellt werden.
4. Vor dem Sammeln des ausgeworfenen Papiers lassen Sie einen Platz für den Papierweg am Montagebereich und an der Unterseite des Druckers und bereiten Sie einen Sammelkasten für. Einzelheiten siehe "5.2 Hinweise zu Papiersammelloch und Sammelfad".

4.15 Statusausdruck

1. Dieser Drucker hat eine Funktion zum Drucken vorbestimmter Zeichen. Schalten Sie den Drucker ein, während Sie die Vorschubtaste (FEED) gedrückt halten. Halten Sie die Vorschubtaste (FEED) etwa 1 Sekunde gedrückt und lassen Sie dann die Vorschubtaste (FEED) los. Der Drucker startet den Statusausdruck. Modellname, ROM-Version, DIP-Schalterstatus, Speicher-Switch-Status und eingebaute Zeichen werden gedruckt.
2. Nachdem der Statusausdruck beendet ist, führt der Drucker den Initialisierungsvorgang aus und ist zum Drucken bereit.



VORSICHT!

Nicht bei mangelndem Papiervorrat ausdrucken.

4.16 Hexdump-Druckfunktion

1. Dieser Drucker hat die Funktion zum Drucken der vom Host im hexadezimalen Format gesendeten Zahlen und den entsprechenden Zeichen. Schalten Sie bei geöffneter Druckerabdeckung und gedrückter Vorschubtaste (FEED) den Drucker ein, und schließen Sie die Papierabdeckung. Der Drucker startet den Initialisierungsvorgang und druckt die Zeichenfolge „HEX DUMP PRINT MODE“, gefolgt von den empfangenen Daten in Hexadezimalzeichen und Zeichen aus.
2. Wenn der Drucker mit dem Druck stoppt, schalten Sie den Drucker aus oder drücken die Vorschubtaste (FEED) dreimal oder legen ein Rücksetzsignal von der Schnittstelle an, und dann führt der Drucker die Initialisierung aus und schaltet auf Ruhemodus.



VORSICHT!

- Nicht bei mangelndem Papiervorrat drucken.
- Wenn kein den Daten entsprechendes Zeichen vorhanden ist, druckt der Drucker “.“.
- Beim Hexdump-Druck arbeiten andere Befehle als DLE EOT, DLE ENQ und DLE DC4 nicht.
- Wenn die Druckdaten kleiner als eine Zeile sind, wird Drck durch Auftreten eines bestimmten Offline-Faktors (wie Drücken der Vorschubtaste (FEED) o.ä.) bewirkt.

4.17 Bedienungsfeld und Fehleranzeige

(1) BETRIEBS-LED (Grün)


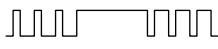

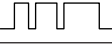






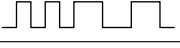
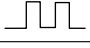



AN: Leuchtet auf, während Strom anliegt.

AUS: Erlischt, während kein Strom anliegt.

Blinkt: Blinkt, während bestimmte Betriebsvorgänge ablaufen.

(2) FEHLER-LED (Rot)

Der AN/Blinken-Status zeigt den Fehlerzustand an. Blinken tritt auch auf, während der Drucker auf Makroausführung wartet. (Einzelheiten siehe Befehlsdetails und Makroausführungsbefehl.)

FEHLER	BETRIEBS-LED	FEHLER-LED	SIGNALTONGEBER
Papierende	Leuchtet	Leuchtet	
Wenig Papier	Leuchtet	Leuchtet	—
Abdeckung offen	Leuchtet	Leuchtet	
Schnittmechanismus- motorsperre	Leuchtet		
Druckkopf überhitzt	Leuchtet		—
Speicherprüffehler		Leuchtet	—
Unterspannungsfehler	Leuchtet		—
Überspannungsfehler	Leuchtet		—
Summenprüffehler			—
Presenter-Fehler	Leuchtet		
Black-Mark- Erkennungsfehler	Leuchtet		
Makroausführung- Warten	Leuchtet		—

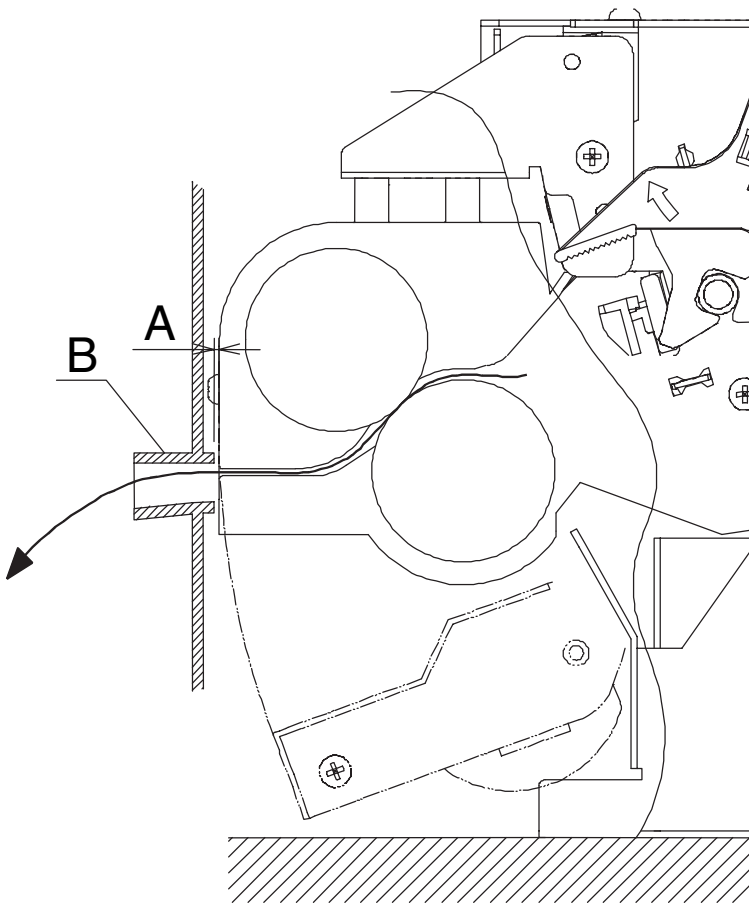
Fehlerbeschreibung

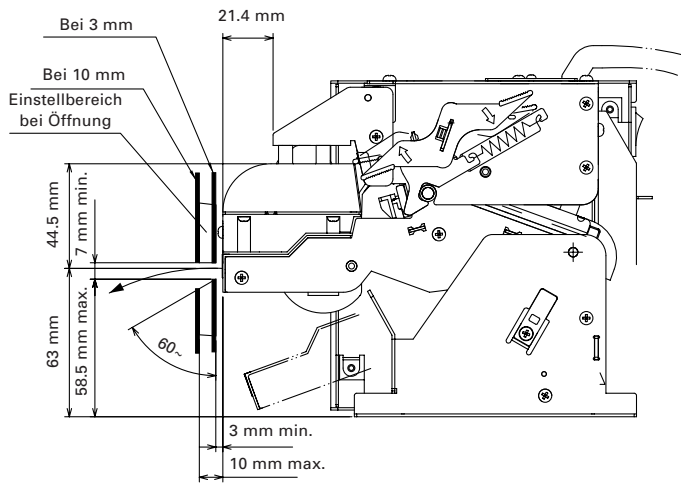
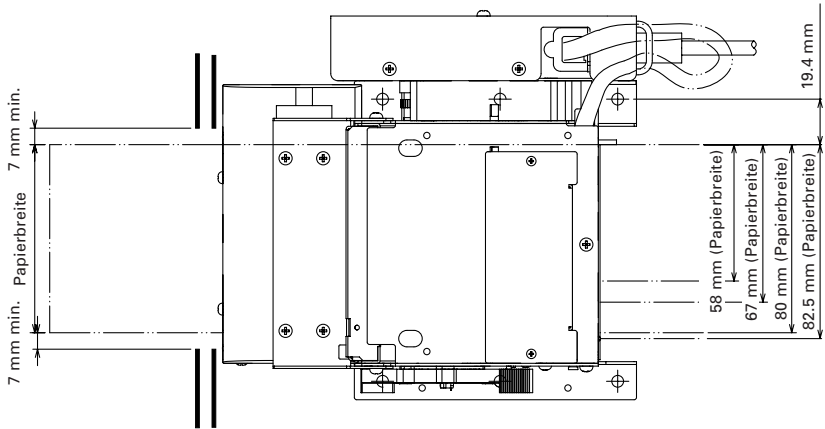
- **Papierende**
Wenn die Papierrolle verbraucht ist, erkennt der Papierendesensor im Papierpfad in der Nähe des Druckkopfs das Ende der Papierrolle und bewirkt Ausgabe des PE und Stoppen des Druckvorgangs.
- **Wenig Papier**
Wenn der Papierrollendurchmesser bis zur Untergrenze verringert ist, wird der Papierendesensor aktiviert und bewirkt Ausgabe des PE zur Anzeige des Papiermangelzustands.
- **Abdeckung offen**
Wenn die Abdeckung offen ist, reagiert der Abdeckung-Offen-Sensor zum Stoppen des Druckvorgangs.
- **Druckkopf überhitzt**
Zum Schutz des Druckkopfs vor Überhitzung wird der Kopftemperatursensor aktiviert, wenn die Kopftemperatur auf über ca. 65°C ansteigt, wodurch ERROR ausgegeben wird und der Druck stoppt. Der Druck wird automatisch fortgesetzt, wenn die Temperatur unter 60°C absinkt.
- **Schnittmechanismusmotorsperre**
Während der Schnittmechanismusmotor läuft und wenn Schnittmechanismuspositionssensor im Schnittmechanismus ca. 1 Sekunde oder länger AN oder AUS schaltet, beurteilt der Drucker, dass der Motor gesperrt ist und schaltet Schnittmechanismus und Druck auf Stopp. (Siehe "4.8 Beseitigen von Schnittmechanismusblockierungen".)
- **Unterspannungsfehler**
Dieser Fehler tritt auf, wenn die am Drucker angelegte Spannung zu niedrig ist. Wenn dieser Fehler auftritt, muss der Drucker sofort ausgeschaltet werden.
- **Überspannungsfehler**
Dieser Fehler tritt auf, wenn die am Drucker angelegte Spannung zu hoch ist. Wenn dieser Fehler auftritt, muss der Drucker sofort ausgeschaltet werden.
- **Presenter-Fehler**
Dieser Fehler tritt auf, wenn der Presenter nicht Papier auswerfen kann oder das ausgeworfene Papier nicht sammeln kann. Zum Aufheben dieses Fehlers entfernen Sie das gestaute Papier oder drücken die Vorschubtaste (FEED).
- **Black-Mark-Erkennungsfehler**
Dieser Fehler tritt auf, wenn der Drucker nicht die Black-Mark erkennen kann. Wenn dieser Fehler auftritt, schalten Sie den Drucker aus und bestätigen die Papier-und Speicher-Switch-Einstellung.

5. HINWEISE ZUR AUßEREN ERSCHEINUNG

5.1 Hinweise zum Papierauslauf

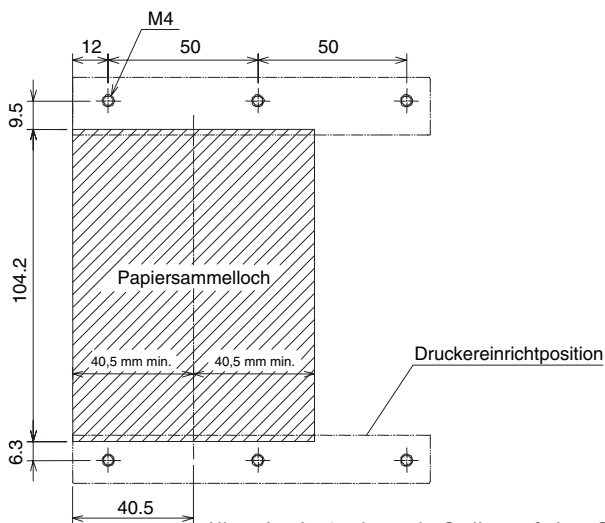
1. Seien Sie vorsichtig, um zu verhindern, dass das ausgeworfene Papier in den Spalt des Außengehäuses eintritt. (Die Abmessung A muss minimal sein.)
2. Vermeiden Sie eine Form, die die Ausgabe des Papiers aus der Presenter-Einheit behindern kann.
3. Achten Sie beim Design der Form darauf, dass Eindringen von Staub oder Wassertropfen von außen vermieden wird. (Portion B)
4. Sorgen Sie für ausreichend Platz zum Öffnen der Papierführung zur Wartung.



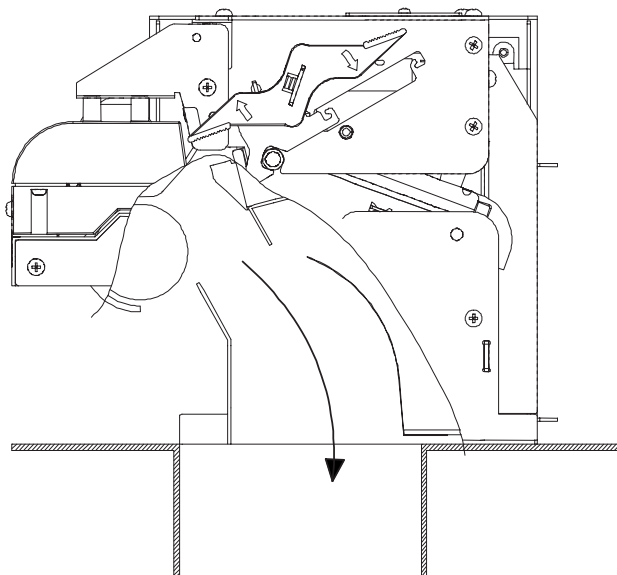


5.2 Hinweise zu Papiersammeloch und Sammelpfad

Beim Einrichten von Papiersammlung bereiten Sie immer das Papiersammeloch vor, wie in der Abbildung unten gezeigt. Achten Sie darauf, Unregelmäßigkeiten, Grate usw. am Sammelpfad entlang zu vermeiden. Andernfalls kann Papierstau auftreten.

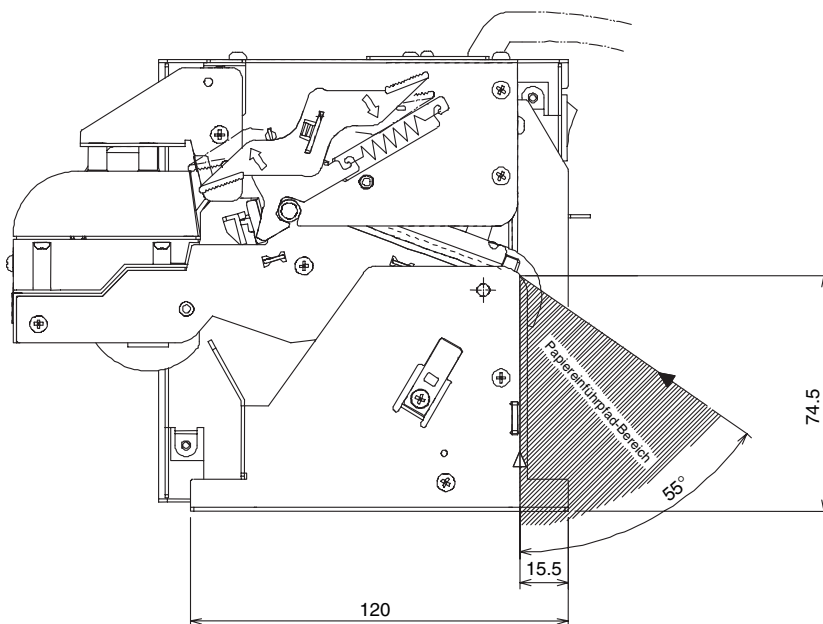


Hinweis: An 2 oder mehr Stellen auf einer Seite und insgesamt 4 oder mehr Stellen befestigen.



5.3 Hinweise zum Papiereinführpfad

Beim Zuführen von Papier ohne optionalen PHU-3*** richten Sie den Papierpfad im folgenden Bereich ein. Bei Verwendung einer Papierrolle mit großem Durchmesser sorgen Sie immer dafür, dass ein Stoßdämpfer vorhanden ist, um Erschütterungen bei der Drehung der Papierrolle zu vermeiden.

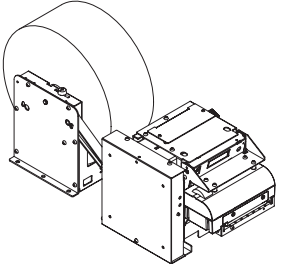
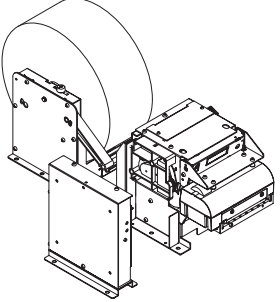
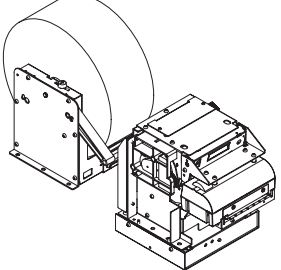
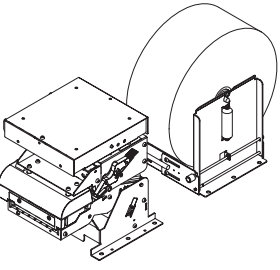
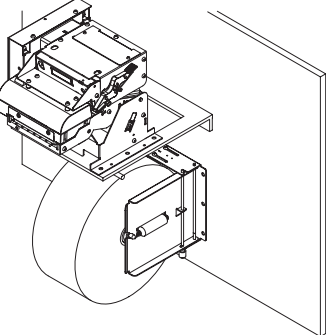
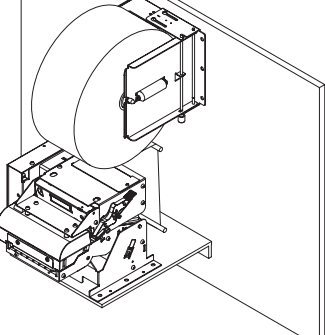


5.4 Installation von PHU-3*** (Papiereinzugseinheit)

Siehe "Anhang-2. Installation von PHU-3*** (Papiereinzugseinheit)".

5.5 Layout-Beispiele für Steuerkasten

Trennung des Steuerkastens vom Drucker erlaubt Ihnen, freies Layout zu genießen.

PPU-700 Layout-Beispiel (1/3)	
	
<p>Grundlegender Typ</p>	<p>Beispiel 1) Mit separat installierter Leiterplatte.</p>
PPU-700 Layout-Beispiel (2/3)	
	
<p>Beispiel 2) Mit unter PPU-700 installierter Leiterplatte.</p>	<p>Beispiel 3) Mit über PPU-700 installierter Leiterplatte.</p>
PPU-700 Layout-Beispiel (3/3)	
	
<p>Beispiel 4) Mit unter PPU-700 installiertem Papierhalter.</p>	<p>Beispiel 5) Mit über PPU-700 installiertem Papierhalter.</p>

6. DIP-SCHALTER

6.1 Einstellen der DIP-Schalter

Die DIP-Schalter befinden sich auf der seriellen Schnittstellenkarte des Druckers. DIP-Schalter-Einstellungen bei eingeschaltetem Drucker sind nicht gültig. Nach der Einstellung schalten Sie den Drucker ein.

1. **Schalten Sie den Drucker aus.**
2. **Entfernen Sie die Schraube von der Karte. (Stellen Sie sicher, dass die Schraube nicht verlorengeht.)**
3. **Schieben Sie die Schnittstellenkarte zum Entfernen.**
4. **Stellen Sie den DIP-Schalter ein.**
5. **Nach der Einstellung bringen Sie die Schnittstellenkarte an und schrauben sie fest.**



CAUTION!

- Achten Sie auf die Kante der Schnittstellenkarte.
- Die verwendete Schraube ist $M2 \times 3$ mm. Verwenden Sie keine Schrauben anderer Größe. (Falls die Schraube verlorengeht, verwenden Sie eine Ersatzschraube gleicher Größe. Verwenden Sie keine längere Größe.)
- Schalten Sie den Drucker vor dem Einstellen der DIP-Schalter aus. Andernfalls besteht die Gefahr von Ausfällen.
- Verwenden Sie kein scharfkantiges Werkzeug bei der Einstellung des DIP-Schalters.
- Verwenden Sie den Drucker nicht bei ausgebaute Schnittstellenkarte.

6.2 DIP-Schalter-Funktionen

DIP-Schalter

Switch-Nr.	Funktion	AN	AUS	Werkseitige Einstellung
1	Einstellen und Wählen der Bedingungen für Kommunikation	DIP-Schalter-Einstellung ist aktiviert	DIP-Schalter-Einstellung ist aktiviert	AN
2	Kommunikationsmodus	Xon/Xoff	DTR/DSR	AUS
3	Bitlänge	7-Bit	8-Bit	AUS
4	Paritätsprüfung	Mit Parität	Keine Parität	AUS
5	Auswählen der Parität	Gerade Parität	Ungerade Parität	AUS
6	Auswählen der Baudrate	(Siehe Tabelle 1)		AN
7				AN
8	INIT	Reset	Deaktiviert	AUS

Tabelle 1 Auswählen der Baudrate

Baudrate (Bit/s)	Switch-Nr.	
	6	7
2,400	AUS	AUS
4,800	AN	AUS
9,600	AUS	AN
19,200	AN	AN

7. SPEICHERSCHALTER

7.1 Einstellen der Speicher-Switches

Speicher-Switch ist ein generischer Name für folgendes.

- (1) Speicher-Switch MSW1, MSW2, MSW3, MSW4
- (2) Anpassungswert
- (3) Bedingung für Kommunikation über serielle Schnittstelle

Um Speicher-Switches auszuwählen, anzupassen oder zu schreiben, führen Sie folgende drei Schritte aus: Drücken Sie die Vorschubtaste (FEED) und halten Sie sie gedrückt, und öffnen oder schließen Sie die Papierabdeckung.

1. Aktivieren des Einstellmodus für Speicher-Switches

Führen Sie Papier in den Drucker ein und lassen Sie die Papierabdeckung geöffnet. Schalten Sie den Drucker bei gedrückter Vorschubtaste (FEED), und drücken Sie anschließend zweimal auf die Vorschubtaste. Schließen Sie die Abdeckung. Wenn der Drucker daraufhin die aktuellen Einstellungen der Speicher-Switches usw. ausdruckt, wurde der Einstellmodus erfolgreich aktiviert.

2. Auswählen von Speicher-Switches

Wenn die Vorschubtaste (FEED) kurz nacheinander gedrückt wird (innerhalb von 2 Sekunden), werden die Daten wiederholt in der Reihenfolge "MSW1" → "MSW2" → "MSW3" → "MSW4" → "Schreiben/Werkseinstellung" → "MSW1" → ausgedruckt. Wenn der gewünschte Speicher-Switch erreicht ist, betätigen Sie die Vorschubtaste (FEED) und halten Sie sie für mehr als 2 Sekunden gedrückt.

3. Auswählen aller Switch-Elemente

Jeder Switch verfügt über acht einstellbare Elemente. Wenn Sie die Vorschubtaste (FEED) länger (innerhalb von 2 Sekunden) gedrückt halten, wechselt der Drucker zum nächsten Element und druckt dessen aktuelle Einstellungen aus. Wiederholen Sie den Vorgang solange, bis das Element, dessen Einstellungen Sie ändern möchten, erreicht ist.

4. Anpassen von Einstellungen

Wenn das zu Ändern gewünschte Element erreicht ist, drücken Sie kurz die Vorschubtaste (FEED). Der geänderte Wert wird ausgedruckt. Um zur vorherigen Einstellung zurück zu gelangen, drücken Sie kurz die Vorschubtaste (FEED). Wenn Sie die Vorschubtaste gedrückt halten, wird der Wert der Einstellung übernommen und der Drucker geht zum nächsten Element über.

5. Zurückkehren zum Einstellmodus für Speicher-Switches

Wenn Sie die gewünschten Einstellungen vorgenommen haben, öffnen Sie die Papierabdeckung, und schließen Sie sie anschließend wieder. Daraufhin werden die geänderten Einstellungen für den Speicher-Switch wirksam.

6. Speichern der Einstellung und verlassen des Einstellmodus für Speicher-Switches

Betätigen Sie kurz die Vorschubtaste (FEED), um zum Eintrag "Schreiben/Werkseinstellung" zu gelangen. Drücken Sie anschließend die Vorschubtaste (FEED), und halten Sie sie gedrückt. Der Drucker druckt die neue Einstellung aus und verlässt den Einstellmodus für Speicher-Switches, um in den normalen Ruhemodus überzugehen.

* Damit die geänderte Einstellung wirksam wird, müssen Sie sie speichern.

7. Initialisieren des Speicher-Switches

Wenn Sie einen Speicher-Switch auf die Standardeinstellungen zurücksetzen möchten, gehen Sie wie zuvor beschrieben zum Eintrag "Schreiben/Werkseinstellung". Öffnen Sie anschließend die Papierabdeckung, betätigen Sie die Vorschubtaste (FEED), und halten Sie sie gedrückt. Daraufhin wird der Drucker auf die Standardeinstellungen zurückgesetzt.

* Alle Speicher-Switch-Einstellungen werden auf die Werkseinstellungen zurückgesetzt.

7.2 Speicher-Switch-Funktionen

Nr.	Funktion	AUS	AN
MSW1-1	Betriebsanzeige	● Gültig	Nicht senden
MSW1-2	Puffergröße	● 4 Kbyte	45 Byte
MSW1-3	Gerät arbeitet	● Full/Err	Full
MSW1-4	Empfangsfehler	● Ausdruck ?	Ungültig
MSW1-5	CR-Modus	● Ignorieren	LF
MSW1-6	Reserviert	● Fest	—
MSW1-7	DSR-Signal	● Ungültig	Gültig
MSW1-8	INIT-Signal	● Ungültig	Gültig
MSW2-1	Reserviert	—	● Fest
MSW2-2	Reserviert	—	● Fest
MSW2-3	Warteschlange-Druck	Ungültig	● Gültig
MSW2-4	Vollfarbdruck	CBM1000	● EPSON
MSW2-5	Nach PE forts.	● Nächste Zeile drucken	Oben drucken
MSW2-6	Reserviert	● Fest	—
MSW2-7	Reserviert	● Fest	—
MSW2-8	PNE-Sensor	● Gültig	Ungültig
MSW3-1	Nach MF forts.	● Gültig	Ungültig
MSW3-2	Nach Abd. off. forts.	● Schließen	Befehl
MSW3-3	Parallel, 31 Stifte	● Gültig	Ungültig
MSW3-4	Papierwahl	● Thermal	Schwarz MK
MSW3-5	Reserviert	● Fest	—
MSW3-6	Reserviert	● Fest	—
MSW3-7	Emulation	● PPU-231	TM-L90
MSW3-8	Offen b/Drucken	● Auto	Möglich
MSW4-1	Reserviert	● Fest	—
MSW4-2	Reserviert	● Fest	—
MSW4-3	Papier-Obenzufuhr	● Gültig	Ungültig
MSW4-4	Sammelmodus	● Ungültig	Gültig
MSW4-5	Sammelrichtung	● Hinten	Vorne
MSW4-6	Sammelmethode	● Allgemein	Direkt
MSW4-7	Druckfortsetzung	● Ungültig	Gültig
MSW4-8	Reserviert	● Fest	—

● Standard (werkseitige Einstellung)

CITIZEN SYSTEMS JAPAN CO., LTD.

6-1-12, Tanashi-cho, Nishi-Tokyo-shi Tokyo, 188-8511, Japan

Tel: +81 (0) 42 468 4608 Fax: +81 (0) 42 468 4996

<http://www.citizen-systems.co.jp>