

**SENIOR**  
TOUCH SCREEN SOLUTIONS

# PRICE LIST

Q2 2024A



# Contents

INDUSTRIAL SOLUTIONS	Page
HPC X47	4
HPC X5A	6
HPC X6W	8
HPC X8W	10
HPC X12W	12
rSPOS	14
iV12	16



POINT-OF-SALE SOLUTIONS	
Tablet POS Systems	
HPC X8W	19
v5PAD	21
NanoPAD	23



All-in-one POS Systems	
x3POS	26
x5POS	29
v5POS	33
v6POS	37
k5POS	41
iSPOS 10	44
iSPOS	47
Yocto POS	52
Hecto POS	55
KDS	58
Peta POS	62
Exa POS	64



Touch / Display Monitors & POS PC	
cSMON	67
PetaMON	68
KDM	69
NanoMON	70

POINT-OF-SERVICE SOLUTIONS	Page
x5 mini Kiosk	72
Miki kiosk stand	74
Senki kiosk stand	75
Sureki 21 kiosk solutions	76
Gemini 21 kiosk solutions	77

POS PERIPHERALS	
Thermal Printers	79
Dot Matrix Printers	82
Cash Drawers	83
Handheld Barcode Scanner	84
Hands-free Barcode Scanner	85
Tablet Mounting Solutions	86
VESA Mounting Solutions	87
Pole Mounting Solutions	90
External Devices & Accessories	93



# Industrial Solutions



*HPC X6W*



*HPC X8W*



*HPC X12W*



*rSPOS*



*iV12*

# HPC X47



## FEATURES

- **IP67 rated** - water & dust protected
- Able to withstand up to 150 cm drop
- 6H degree Corning Gorilla anti-glare glass
- -15 °C to 55 °C wide working temperature
- Superior performance Zebra SE4710 1D / 2D barcode reader\*
- Android 11 with Google GMS certified
- **5" TFT LED backlight screen**
- Projected capacitive multi-touch
- Resolution 1280 x 720 pixels
- ARM® Cortex A53 (8 cores) CPU
- 3 GB RAM / 32 GB eMMC
- 4000 mAh battery up to 8 hours
- 9 V/2 A (18 W) quick charge

\*Optional

# X47 Handheld PC



Dimensions: 78 (W) x 22 (D) x 158 (H) mm  
 Weight: 243 g (with 2D scanner)

USB Ports	RFID	Bluetooth	Wireless LAN	WWAN	Micro SD Slot
1 x USB 2.0 Type-C	ISO14443 A/B MIFARE, FeliCa	5.0	802.11 b/g/n/ac/r (2.4 GHz + 5 GHz)	3G/4G (Nano SIM)	1 (up to 128 GB)

MODEL	ITEM CODE	PRODUCT SPECIFICATION	LIST ex GST
HPC X47 PLUS	HPCX47P	<b>5" TFT LCD, 1280 x 720 resolution, 400 cd/m brightness</b> 5-point PCT multi-touch, gloved touch supported ARM 8 core Cortex A53 (MT8768), 3 GB RAM, 32 GB eMMC Android 11 with Google GMS certified Zebra SE4710 1D/2D barcode scanner, NFC (RFID), GPS, proximity/ambient/accelerate sensor, E-compass, gyro-	\$1250

## OPTIONAL MODULES AND ACCESSORIES

MODEL	ITEM CODE	PRODUCT SPECIFICATION	LIST ex GST
Charging Dock	HPC-X47CHGR	Type-C fast charger	\$135
Pistol Grip	HPC-X47PG	Powered by Pogo pin of HPC X47	\$130

# HPC X5A



## FEATURES

- **IP65 rated** - water & dust protected
- Able to withstand up to 150 cm drop
- 6H degree Corning Gorilla anti-glare glass
- -10 °C to 50 °C wide working temperature
- Superior performance Zebra SE4710 1D / 2D barcode reader\*
- Programmable physical function buttons
- Android 11 with Google GMS certified
- **5" IPS LED backlight screen LCD**
- Projected capacitive multi-touch
- Resolution 1280 x 720 pixels
- ARM® Cortex A53 (8 cores) CPU
- 4 GB RAM / 64 GB eMMC
- Removable 4000 mAh battery up to 10 hours

\*Optional

# X5A Handheld PC



USB Ports	RFID	Bluetooth	Wireless LAN	WWAN	Micro SD Slot
1 x USB 2.0 Type-C	ISO14443 A/B MIFARE, FeliCa	5.0	802.11 b/g/n/ac/r (2.4 GHz + 5 GHz)	3G/4G (Nano SIM)	1 (up to 128 GB)

MODEL	ITEM CODE	PRODUCT SPECIFICATION	LIST EX GST
HPC X5A	HPCX5A	<b>5" TFT LCD, 1280 x 720 resolution, 400 cd/m brightness</b> 5-point PCT multi-touch, gloved touch supported ARM 8 cores Cortex A53 (MT6762), 4 GB RAM, 64 GB eMMC Android 11 with Google GMS certified Zebra SE4710 1D/2D barcode scanner, NFC (RFID), GPS, proximity/ambient/accelerate sensor, E-compass, gyro- scope, fingerprint reader	\$950

## OPTIONAL MODULES AND ACCESSORIES

MODEL	ITEM CODE	PRODUCT SPECIFICATION	LIST EX GST
Charging Dock	HPC-X5ACHGR	USB Type-C charges HPC & battery at same time	\$105
Pistol Grip	HPC-X5APG	9V battery, Bluetooth connection	\$80
Lithium Battery	HPC-X5ABATT	4000 mAh battery up to 10 hours	\$100

# HPC X6W



## FEATURES

- **IP65 rated** - water & dust protected
- MIL-STD-810G compliant 120 cm drop resistance
- 7H degree Corning Gorilla anti-glare glass
- -10 °C to 50 °C wide working temperature
- Superior performance Honeywell N3680 1D / 2D barcode reader\*
- Windows 10 IoT operating system
- **6" IPS LCD LED backlight screen**
- Projected capacitive multi-touch
- Resolution 1280 x 720 pixels
- Intel Quad Core Atom x5-Z8350
- 4 GB RAM / 64 GB eMMC
- 5000 mAh battery up to 4 hours
- 5 V/3 A (15 W) quick charge

\*Optional



# X6W Handheld PC



Dimensions: 93 (W) x 21 (D) x 185 (H) mm  
Weight: 380 g (with 2D scanner)

USB Ports	RFID	Bluetooth	Wireless LAN	WWAN	Micro SD Slot
1 x Micro USB 2.0 OTG	ISO14443 A/B MIFARE	4.1 (BLE)	802.11 b/g/n/ac (2.4 GHz + 5 GHz)	3G/4G (Nano SIM)	1 (up to 128 GB)

MODEL	ITEM CODE	PRODUCT SPECIFICATION	LIST Ex GST
HPC X6W II	HPCX6WII	<b>6" IPS LCD, 1280 x 720 resolution, 430 cd/m brightness</b> 5-point PCT multi-touch, 7H degree Corning Gorilla glass Intel Quad Core Atom x5-Z8350 1.44 GHz Turbo Boost up to 1.92 GHz, 4 GB RAM, 128 GB eMMC storage Honeywell N3680 1D/2D barcode reader, NFC (RFID), GPS, proximity/ambient/accelerate sensor, E-compass, g-scope	\$1590

## OPTIONAL MODULES AND ACCESSORIES

MODEL	ITEM CODE	PRODUCT SPECIFICATION	LIST Ex GST
Charging Dock	HPCX6W-CHGR	Fast charging X6W & battery with 2 x USB 2.0 port	\$100
Lithium Battery	HPCX6W-BTRR	5000 mAh up to 4 hours	\$130
Pistol Grip	HPCX6W-PG	9V battery, Bluetooth connection	\$130
Windows 10 IoT 2019	S-OSFFAA01800	Windows 10 Enterprise IoT Entry (pre-installed with Senor drivers) 64 bit	\$160

# HPC X8W



## FEATURES

- **Thinnest 8" ruggedised tablet**
- **IP65 rated** - water & dust protected
- MIL-STD-810G compliant 120 cm drop resistance
- Comprehensive charging dock\*
- 1D / 2D barcode reader\*
- Ergonomic hand strap
- **8" IPS LED backlight LCD**
- Projected capacitive multi-touch
- Resolution 1920 x 1200 pixels
- Qualcomm Snapdragon 7c 2.4 GHz
- 8 GB DDR4 RAM / 128 GB eMMC
- 3900 mAh battery up to 9 hours
- 12 V / 3 A (36 W) quick charge

\*Optional

# X8W Handheld PC



Dimensions: 219 (W) x 12.5 (D) x 139 (H) mm  
 Weight: 524 g

USB Ports	RFID	Bluetooth	Wireless LAN	WWAN	Micro SD Slot
1 x Type C (12V/3A)	ISO14443 A/B MIFARE	5.1	802.11 b/g/n/ac (2.4 GHz + 5 GHz)	3G/4G (Micro SIM)	1 (up to 128 GB)

MODEL	ITEM CODE	PRODUCT SPECIFICATION	LIST Ex GST
HPC X8W	HPCX8W	<b>8" IPS LCD, 1920 x 1200 resolution, 550 cd/m brightness</b> 10-point PCT multi-touch, IP65 rated whole unit Qualcomm Snapdragon 7c (8 cores) 2.4 GHz 8 GB DDR4 RAM, 128 GB eMMC storage 4G LTE + Wi-Fi 802.11ac + BT5.1 + GPS	\$1590

## OPTIONAL MODULES AND ACCESSORIES

MODEL	ITEM CODE	PRODUCT SPECIFICATION	LIST Ex GST
Charging Dock	HPCX8W-CHGR	Fast charging with 1 x DB9, 1 x RJ45, 2 x USB 2.0	\$150
2D Barcode Reader	HPCX8W-2D	1D/2D image reader	\$160
Windows 11 IoT 2021	FZM-00025	Windows 11 IoT Entry OLC Enterprise (pre-installed with Senor drivers) 64 bit	\$160
Windows 11 Pro	WIN11PRO	Windows 11 Pro OEM (pre-installed with Senor drivers) 64 bit	\$400

# HPC X12W



## FEATURES

- **IP65 rated** - water & dust protected
- MIL-STD-810G compliant 120 cm drop resistance
- Comprehensive charging dock\*
- Superior performance Honeywell N3680 1D / 2D barcode reader\*
- Ergonomic hand strap
- **12.2" IPS LED backlight LCD**
- Projected capacitive multi-touch
- Resolution 1920 x 1200 pixels
- Intel® Core i5-1235U up to 4.4 GHz
- 16 GB DDR4 RAM / 128 GB M.2 SSD
- Hot swappable 6300 mAh battery up to 4.5 hours

\*Optional

# X12W Handheld PC



USB Ports	Display	Bluetooth	Wireless LAN	4G (standard SIM)	Micro SD Slot
1 x 3.0 Type-A 1 x 3.0 Type-C	1 x HDMI 1.4a	5.1	802.11 b/g/n/ac/ax (2.4 GHz + 5.8 GHz)	850 (B5)/900 (B8)/ 1800 (B3)/2100 (B1)/ 2300 (B40)/2600 (B7) MHz	1 (up to 128 GB)

MODEL	ITEM CODE	PRODUCT SPECIFICATION	LIST Ex GST
HPC X12W	HPCX12W	<p><b>12.2" IPS LCD, 1920 x 1200 resolution, 650 cd/m brightness</b></p> <p>10-point PCT multi-touch, IP65 rated whole unit</p> <p>Intel Core i5-1235U (10 cores) 1.3 GHz up to 4.4 GHz</p> <p>16 GB DDR4 RAM, removable M.2 NVMe 2280 SSD</p> <p>4G LTE + Wi-Fi 802.11ax + BT5.1 + GPS</p>	\$4400

## OPTIONAL MODULES AND ACCESSORIES

MODEL	ITEM CODE	PRODUCT SPECIFICATION	LIST Ex GST
Charging Dock	HPCX12W-CHGR	Fast charging with 1 x DB9, 1 x RJ45, 2 x USB 2.0	\$240
2D Barcode Reader	HPCX12W-2D	Honeywell N3680 1D/2D image reader	\$320
Lithium Battery	HPCX12W-BATT	6300 mAh up to 4.5 hours	\$240
Windows 11 IoT 2021	FZP-00025	Windows 11 IoT Value OLC Enterprise (pre-installed with Senor drivers) 64 bit	\$240
Windows 11 Pro	WIN11PRO	Windows 11 Pro OEM (pre-installed with Senor drivers) 64 bit	\$400

# rSPOS



## FEATURES

- Specially designed to meet the demands of harsh environments
- Bezel-less PCT touch screen
- Fully stainless steel SUS 304 chassis
- **IP66 rated** - water & dust protected
- Fanless and ventless
- 6H degree hardness glass screen
- Waterproof circular connector/antenna set
- **17" or 21.5" (widescreen) TFT LED** backlight screen
- **Resolution 1280 x 1024 (17")**
- **Resolution 1920 x 1080 (21.5")**
- Intel® Quad Core Celeron J6412 or Intel® Core i3-1215U (6 cores)
- 1 x DDR4 slot up to 32 GB of RAM
- 2 x M.2 NVMe 2280 SSD slot

# rSPOS Industrial Panel PC

Specially designed to meet the demands of harsh environments



Serial Ports	USB Ports	LAN Ports	Dimensions: 409 (W) x 84 (D) x 337 (H) mm (17")
1 x RS232/422/485	3 x USB 2.0	1 (up to 2 x RJ45)	Weight: 7.6 kg
			Dimensions: 535 (W) x 84 (D) x 327 (H) mm (21.5")
			Weight: 9.6 kg

MODEL	ITEM CODE	PRODUCT SPECIFICATION	LIST EX GST
rSPOS J617	RSPOSJ617	<b>17" TFT LED, projected capacitive touch screen</b> 1280 x 1024 resolution, 350 cd/m <sup>2</sup> brightness Intel Quad Core Celeron J6412 2.0 GHz up to 2.6 GHz 8 GB DDR4 RAM, 1 x M.2 NVMe 2280 SSD	\$4600
rSPOS T317	RSPOST317	<b>17" TFT LED, projected capacitive touch screen</b> 1280 x 1024 resolution, 350 cd/m <sup>2</sup> brightness Intel Hexa Core i3-1215U 1.2 GHz Turbo Boost up to 4.4 GHz 8 GB DDR4 RAM, 1 x M.2 NVMe 2280 SSD	\$5250

MODEL	ITEM CODE	PRODUCT SPECIFICATION	LIST EX GST
rSPOS J621	RSPOSJ621	<b>21.5" TFT LED, projected capacitive touch screen</b> 1920 x 1080 resolution, 250 cd/m <sup>2</sup> brightness Intel Quad Core Celeron J6412 2.0 GHz up to 2.6 GHz 8 GB DDR4 RAM, 1 x M.2 NVMe 2280 SSD	\$4800
rSPOS T321	RSPOST321	<b>21.5" TFT LED, projected capacitive touch screen</b> 1920 x 1080 resolution, 250 cd/m <sup>2</sup> brightness Intel Hexa Core i3-1215U 1.2 GHz Turbo Boost up to 4.4 GHz 8 GB DDR4 RAM, 1 x M.2 NVMe 2280 SSD	\$5450

## OPTIONS & UPGRADES - rSPOS SERIES

### ACCESSORIES & UPGRADE OPTIONS

MODEL	ITEM CODE	PRODUCT SPECIFICATION	LIST EX GST
Wi-Fi Module	S-WFFFBK02200	Integrated 802.11 b/g/n/ac 2T2R wireless LAN + BT 5.0	\$160
SSD Upgrade	SSDUPGRADE	From 120 GB to 240 GB	\$150
		From 120 GB to 480 GB	\$300
		From 120 GB to 960 GB	\$600
RAM Upgrade	RAMUPGRADE	From 8 GB to 16 GB	\$150
		From 8 GB to 32 GB	\$300

### OPERATING SYSTEM OPTIONS

MODEL	ITEM CODE	PRODUCT SPECIFICATION	LIST EX GST
Windows 10 IoT 2021	MUU-00027	Windows 10 IoT Enterprise 2021 Entry (for J617/J621) (pre-installed with Senor drivers) 64 bit	\$160
Windows 10 IoT 2021	MUU-00028	Windows 10 IoT Enterprise 2021 Value (for T317/T321) (pre-installed with Senor drivers) 64 bit	\$240
Windows 11 IoT	FZM-00025	Windows 11 IoT Enterprise OLC Entry (for J617/J621) (pre-installed with Senor drivers) 64 bit	\$160
Windows 11 IoT	FZP-00025	Windows 11 IoT Enterprise OLC Value (for J617/J621) (pre-installed with Senor drivers) 64 bit	\$240
Windows 11 Pro	WIN11PRO	Windows 11 Professional OEM (pre-installed with Senor drivers) 64 bit	\$400

# iV12



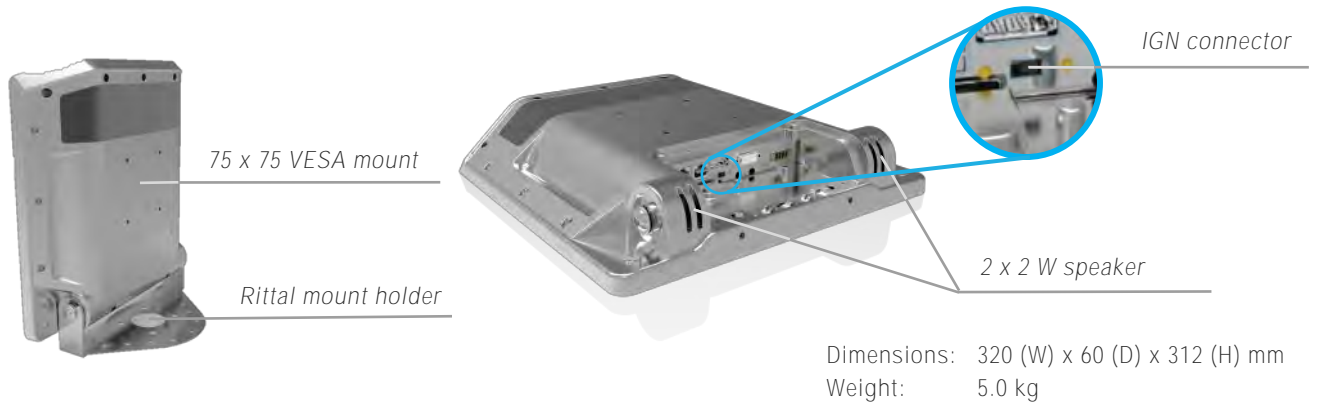
## FEATURES

- Full-flat PCT touch screen with function keys
- 6H degree hardness anti-glare glass
- Auto-brightness 250 to 700 nit
- Stainless steel SUS 304 chassis
- **IP66 rated** - water & dust protected
- Class 5M3 shock & vibration resistance
- Fanless and ventless
- -20 °C to 55 °C wide working temperature
- **12.1" TFT LED backlight screen**
- Resolution 1024 x 768 pixels
- Intel® Quad Core Atom E3845  
1.9 GHz
- 2 x DDR3L slot up to 8 GB of RAM
- **2.5" industrial grade SATA SSD**
- 10 to 36 VDC, isolation 1500 VDC  
Input polarity protection



# iV12 Vehicle Mounting Terminal

Specially designed to be used on vehicles



Serial Ports	USB Ports	LAN Ports	Video Port	Function Keys
1 x DB9 (up to 2 x) (RS232/422/485 select by BIOS)	1 x USB 2.0 1 x USB 3.0	2 x RJ45	1 x Display Port	4 x Function Keys (up to 6 x)

MODEL	ITEM CODE	PRODUCT SPECIFICATION	LIST EX GST
iV12 (BY ORDER)	IV12PCT-128	<b>12.1" TFT LED, projected capacitive touch screen</b> 1024 x 768 resolution, 250 to 700 cd/m <sup>2</sup> brightness Intel Quad Core Atom E3845 1.9 GHz 4 GB DDR3L RAM, 128 GB SATA SSD	\$4550

## OPTIONS & UPGRADES - iV12 SERIES

### ACCESSORIES & UPGRADE OPTIONS

MODEL	ITEM CODE	PRODUCT SPECIFICATION	LIST EX GST
Wireless Module	<i>Available soon</i>	802.11 a/b/g/n/ac, 2x2 MIMO, Bluetooth 4.1	
RFID Module	<i>Available soon</i>	13.56MHz, MiFare ISO 14443A, USB, read only	
CAN bus port	<i>Available soon</i>	1 x isolated CAN bus 2.0B	
SSD Upgrade	SSDUPGRADE	From 120 GB to 240 GB	\$150
		From 120 GB to 480 GB	\$300
		From 120 GB to 960 GB	\$600
RAM Upgrade	RAMUPGRADE	From 4 GB to 8 GB	\$150

### OPERATING SYSTEM OPTIONS

MODEL	ITEM CODE	PRODUCT SPECIFICATION	LIST EX GST
Windows 10 IoT 2019	S-OSFFAA01800	Windows 10 Enterprise IoT Entry (pre-installed with Senor drivers) 64 bit	\$160

# Tablet POS Systems



**8" HPC X8W**



**10" v5PAD WP**



**10" NanoPAD**

# HPC X8W



## FEATURES

- **Thinnest 8" ruggedised tablet**
- **IP65 rated** - water & dust protected
- MIL-STD-810G compliant 120 cm drop resistance
- Comprehensive charging dock
- 1D/2D barcode reader\*
- Ergonomic hand strap
- Windows 11 operating system
- **8" IPS LED backlight LCD**
- Projected capacitive multi-touch
- Resolution 1920 x 1200 pixels
- Qualcomm Snapdragon 7c 2.4 GHz
- 8 GB DDR4 RAM / 128 GB eMMC
- 3900 mAh battery up to 9 hours
- 12 V/3 A (36 W) quick charge

\*Optional

# X8W Handheld PC



Dimensions: 219 (W) x 12.5 (D) x 139 (H) mm  
 Weight: 524 g

USB Ports	RFID	Bluetooth	Wireless LAN	WWAN	Micro SD Slot
1 x Type C (12V/3A)	ISO14443 A/B MIFARE	5.1	802.11 b/g/n/ac (2.4 GHz + 5 GHz)	3G/4G (Micro SIM)	1 (up to 128 GB)

MODEL	ITEM CODE	PRODUCT SPECIFICATION	LIST Ex GST
HPC X8W	HPCX8W	<b>8" IPS LCD, 1920 x 1200 resolution, 550 cd/m brightness</b> 10-point PCT multi-touch, IP65 rated whole unit Qualcomm Snapdragon 7c Octa core 2.4 GHz 8 GB DDR4 RAM, 128 GB eMMC storage 4G LTE + Wi-Fi 802.11ac + BT5.1 + GPS	\$1590

## OPTIONAL MODULES AND ACCESSORIES

MODEL	ITEM CODE	PRODUCT SPECIFICATION	LIST Ex GST
Charging Dock	HPCX8W-CHGR	Fast charging with 1 x DB9, 1 x RJ45, 2 x USB 2.0	\$150
2D Barcode Reader	HPCX8W-2D	1D/2D image reader	\$160
Windows 11 IoT 2021	FZM-00025	Windows 11 IoT Entry OLC Enterprise (pre-installed with Senor drivers) 64 bit	\$160
Windows 11 Pro	WIN11PRO	Windows 11 Pro OEM (pre-installed with Senor drivers) 64 bit	\$400

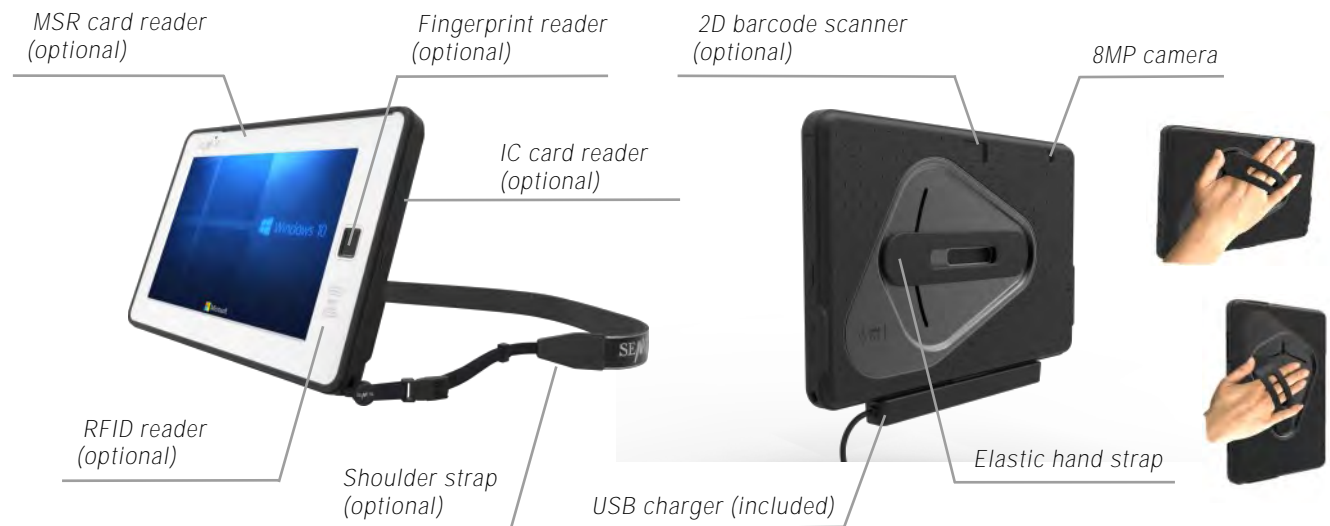
# v5PAD



## FEATURES

- IP54 rated - water & dust protected
- Able to withstand up to 150 cm drop
- Built-in Bluetooth, Wi-Fi, GPS & G-sensor
- Ergonomical hand strap
- Versatile docking configurations
- Wall-mount capable
- **10.1" TFT LED backlight screen (IPS)**
- Resolution 1280 x 800 pixels
- Projected capacitive multi-touch
- Intel® Quad Core Atom x5-Z8350  
1.44 GHz Turbo Boost up to 1.92 GHz
- 7900 mAh battery up to 7 hours  
(normal usage conditions)

## v5PAD TABLET POS SYSTEM



Dimensions: 296 (W) x 26 (D) x 206 (H) mm  
Weight: 1.2 kg (tablet only)

USB Ports	Audio Port	Bluetooth	Wireless LAN	Speaker	Micro SD Slot
1 x USB-A 2.0 1 x micro-B 3.0	1 x 3.5 mm (combined)	4.0	802.11b/g/n	1 x 1 W	1

MODEL	ITEM CODE	PRODUCT SPECIFICATION	LIST EX GST
v5PAD	V5PAD	<b>10.1" LED, 1280 x 800 resolution, 10-point multi-touch</b> Intel Quad Core Atom x5-Z8350 1.44 GHz Turbo Boost up to 1.92 GHz, 4 GB RAM, 64 GB eMMC storage Built-in Bluetooth, Wi-Fi, GPS & G-sensor *Tablet charges via USB charger/docking station only*	\$1600

### OPTIONAL OPERATING SYSTEM AND MODULES

MODEL	ITEM CODE	PRODUCT SPECIFICATION	LIST EX GST
Shoulder Strap	S-ASMPAA004A0	Shoulder strap with quick release clip	\$25
2D Scanner Module	V5PAD2DSCANNER	2D image scanner (1D barcode compatible)	\$320
MSR Module	V5PADMSR	3-track MSR (1+2+3) card reader*	\$190
RFID Reader	V5PADRFID	RFID 13.56 MHz read/write*	\$190
Fingerprint Reader	V5PADFPR	Fingerprint reader	\$100
4G Module	MK-FRTPOSACR03	4G LTE-FDD/WCDMA/GSM module kit	\$240
USB Charger	Z-TPSBS-D5000000DA0	USB charging bar	\$100
Docking Station	Z-TPSBS-AEE00000B00	4 x USB 2.0, 1 x Serial (DB9), 1 x CD port, 1 x LAN	\$350
Wall Mount Station	Z-TPSBS-AEE00000B00	4 x USB 2.0, 1 x Serial (DB9), 1 x CD port, 1 x LAN	\$350
WP Station (silver)	Z-TPBS-C5D000007A0	2 x USB 2.0, 2 x Serial (DB9), 1 x LAN (printer/scanner not included)	\$620
Windows 10 IoT 2019	S-OSFFAA01800	Windows 10 Enterprise IoT Entry (pre-installed with Senor drivers) 64 bit	\$160

\*Select either MSR or RFID only

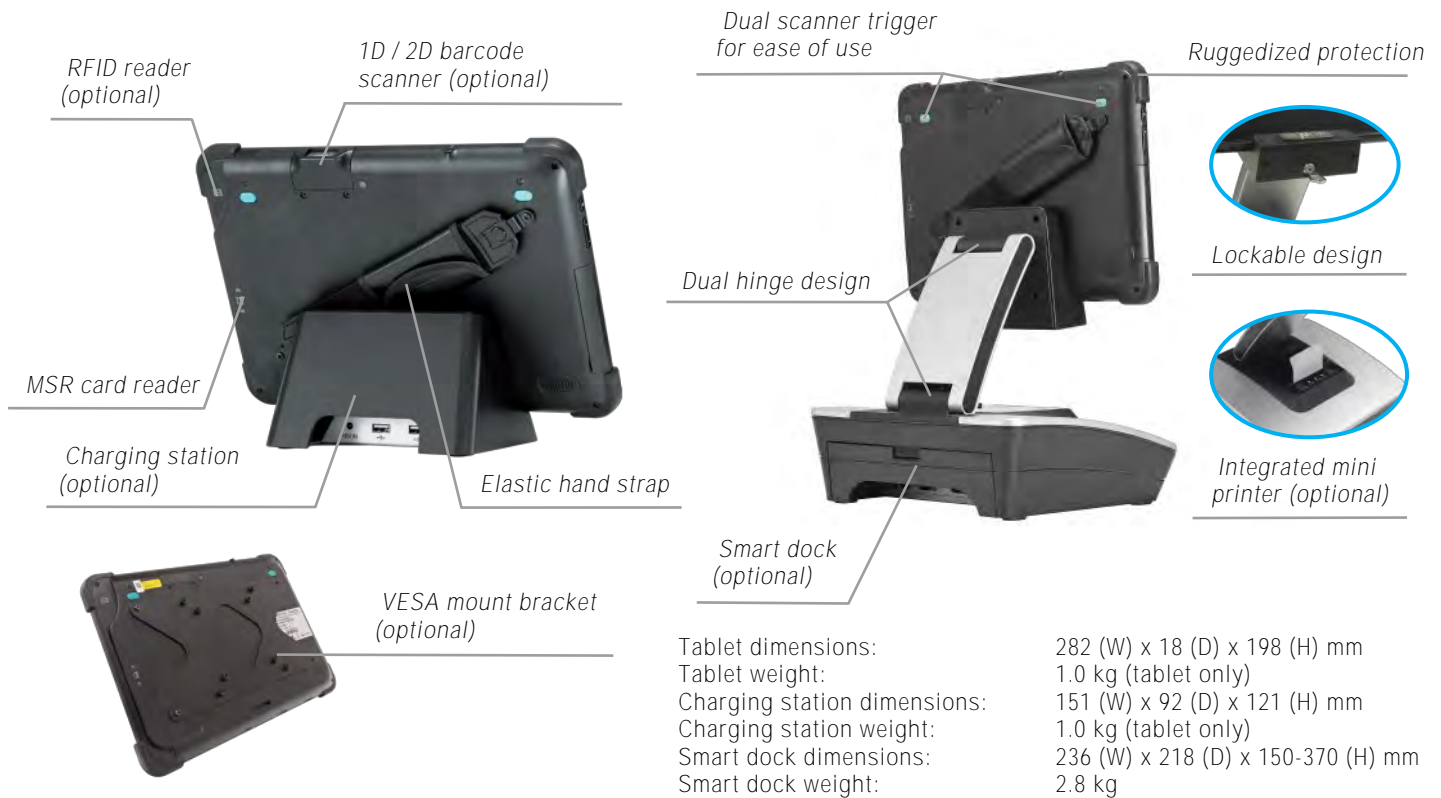
# NanoPAD



## FEATURES

- Built-in 3-track MSR, Bluetooth 4.1
- Designed to withstand up to 120 cm drop
- Dual band Wi-Fi 2.4 GHz & 5 GHz
- Ergonomical hand strap
- Support 4G LTE module
- Optional charging stand / smart dock
- VESA-mount capable
- **10.1" TFT LED backlight screen**
- Resolution 1280 x 800 pixels
- Projected capacitive multi-touch
- Intel® Quad Core Celeron N4120  
1.10 GHz Turbo Boost up to 2.60 GHz
- 5500 mAh battery up to 7 hours  
(normal usage conditions)

# NanoPAD TABLET POS SYSTEM



Tablet dimensions: 282 (W) x 18 (D) x 198 (H) mm  
 Tablet weight: 1.0 kg (tablet only)  
 Charging station dimensions: 151 (W) x 92 (D) x 121 (H) mm  
 Charging station weight: 1.0 kg (tablet only)  
 Smart dock dimensions: 236 (W) x 218 (D) x 150-370 (H) mm  
 Smart dock weight: 2.8 kg

Video Port	USB Ports	Audio Port	Bluetooth	Wireless LAN	Speakers	Micro SD Slot
1 x micro HDMI	1 x USB-A 3.0 1 x micro-B 2.0	1 x 3.5 mm	4.1	802.11b/g/n/ac 2.4 & 5 GHz	2 x 1 W	1 (up to 32 GB)

MODEL	ITEM CODE	PRODUCT SPECIFICATION	LIST EX GST
NanoPAD X	NANOPADX	<b>10.1" LED, 1280 x 800 resolution, 350 cd/m<sup>2</sup> brightness</b> Intel Quad Core Celeron N4120 1.10 GHz Turbo Boost up to 2.60 GHz, 4 GB RAM, 64 GB eMMC storage Built-in 3-track MSR, Bluetooth, Wi-Fi, GPS & G-sensor	\$1600

## OPTIONAL OPERATING SYSTEM AND MODULES

MODEL	ITEM CODE	PRODUCT SPECIFICATION	LIST EX GST
Shoulder Strap	S-ASMPAA004A0	Shoulder strap with quick release clip	\$25
1D Scanner Module	NANOPAD1DSCANNER	Honeywell N4315 1D barcode scanner	\$265
2D Scanner Module	NANOPAD2DSCANNER	Honeywell N3680 1D/2D image reader	\$320
RFID Reader	NANOPADMSRRFID	Supports MiFare one & MiFare CPU card (13.56 MHz)	\$190
4G Module	NANOPADX4GMOD	4G LTE/WCDMA/GSM (3G compatible)	\$160
Charging station	NANOPADXCD	5V/4A, 2 x USB 2.0	\$100
Upgrade to Smart Dock w/o Printer	NANOPADXMD	3 x USB 2.0, 2 x Serial (DB9), 1 x RJ12 (24 V), 1 x LAN	\$265
Upgrade to Smart Dock with Printer	NANOPADXMDP	3 x USB 2.0, 2 x Serial (DB9), 1 x RJ12 (24 V), 1 x LAN 57 x 50 mm thermal Printer, 80mm/s, 203 DPI	\$350
VESA Mount Bracket	NANOPADVBRK	VESA 75 x 75 mm, 100 x 100 mm	\$50
Windows 10 IoT 2019	S-OSFFAA01800	Windows 10 Enterprise IoT Entry (pre-installed with Senior drivers) 64 bit	\$160



# All-in-one POS Systems



x5POS WP



v5WP



iSPOS WP



Hecto POS



k5POS



Yocto POS

# x3POS



## FEATURES

- Ultra-slim 16 mm thickness touch screen
- Ultra-narrow 8 mm bezel LCD screen
- IP54 rated - water & dust protected
- Fanless, ventless and Screwless
- Removable motherboard/SSD/RAM
- Capacitive sensor power switch
- Accessories available on both screens
- VESA/WP/wall mount capable
- **11.6" LED backlight widescreen**
- Full HD 1920 x 1080 resolution
- Intel® Quad Core Celeron J6412 or Intel® Hexa Core i3-1215U
- 1 x DDR4 slot up to 16 GB of RAM
- NVMe M.2 2280 SSD (default)
- SATA3 M.2 2242 SSD (expansion)
- Support Linux kernel 3.0 up

# All-in-one x3POS point of sale solutions



\*Pole is not included

Dimensions: 285 (W) x 195 (D) x 44 to 373 (H) mm  
Weight: 5 kg

Serial Ports	USB Ports	Video Port	LAN Port	Speakers	Audio Port	DK Port
2 x RJ50	5 x USB 2.0 1 x USB 3.0	N/A	1 x RJ45	2 x 2 W	N/A	1 x RJ12 (12/24 V)

MODEL	ITEM CODE	PRODUCT SPECIFICATION	LIST Ex GST
x3POS J64	X3S J64X	<b>11.6" LED backlight LCD, PCT touch screen</b> 1920 x 1080 resolution, 300 cd/m <sup>2</sup> brightness Intel Quad Core Celeron J6412 2.0 GHz up to 2.6 GHz 8 GB DDR4 RAM, removable M.2 NVMe 2280 SSD	\$2050
x3POS T312 (BY ORDER)	X3S T312	<b>11.6" LED backlight LCD, PCT touch screen</b> 1920 x 1080 resolution, 300 cd/m <sup>2</sup> brightness Intel Hexa Core i3-1215U 1.2 GHz turbot Boost up to 4.4 GHz 8 GB DDR4 RAM, removable M.2 NVMe 2280 SSD	\$2550

## OPTIONS & UPGRADES - x3POS SERIES

### ACCESSORIES

MODEL	ITEM CODE	PRODUCT SPECIFICATION	LIST EX GST
Customer Display	XMON11B	<b>XMON 11.6" glass monitor</b>	\$550
	Z-XSVD-B0AS01A	Integrated 2-line VFD customer display	\$290
3T MSR Reader	Z-XSCR-M1M0A01A	3-track MSR (1+2+3) card reader	\$200
RFID Reader	Z-XSCR-F0R0A00A	13.56 MHz, USB Virtual COM, read/write	\$290
	Z-XSCR-F0R3A00A	125 kHz, USB read only	\$290
Wireless Kit Set	S-WFFFBK02200	Internal Wi-Fi 802.11 a/b/g/n/ac 2T2R + BT 5.0	\$190
Integrated 2D Barcode Reader	Z-XSCR-M1S2A01A	Integrated 2D barcode scanner Kit, facing down (BY ORDER)	\$450
Printer wall mount bracket	MK-FFXSYVSA0	Wall mount bracket kit for x3POS w/ printer (for TP250)	\$100

### SSD & RAM UPGRADE OPTIONS

MODEL	ITEM CODE	PRODUCT SPECIFICATION	LIST EX GST
SSD Upgrade	SSDUPGRADE	From 120 GB to 240 GB	\$150
		From 120 GB to 480 GB	\$300
		From 120 GB to 960 GB	\$600
RAM Upgrade	RAMUPGRADE	From 8 GB to 16 GB	\$150
		From 8 GB to 32 GB (T312)	\$300

### OPERATING SYSTEM OPTIONS

MODEL	ITEM CODE	PRODUCT SPECIFICATION	LIST EX GST
Windows 10 IoT 2021	MUU-00027	Windows 10 IoT Enterprise 2021 Entry (for J64) (pre-installed with Senor drivers) 64 bit	\$160
Windows 10 IoT 2021	MUU-00028	Windows 10 IoT Enterprise 2021 Value (for T312) (pre-installed with Senor drivers) 64 bit	\$240
Windows 11 IoT	FZM-00025	Windows 11 IoT Enterprise OLC Entry (for J64) (pre-installed with Senor drivers) 64 bit	\$160
Windows 11 IoT	FZP-00025	Windows 11 IoT Enterprise OLC Value (for T312) (pre-installed with Senor drivers) 64 bit	\$240
Windows 11 Pro	WIN11PRO	Windows 11 Professional OEM (pre-installed with Senor drivers) 64 bit	\$400

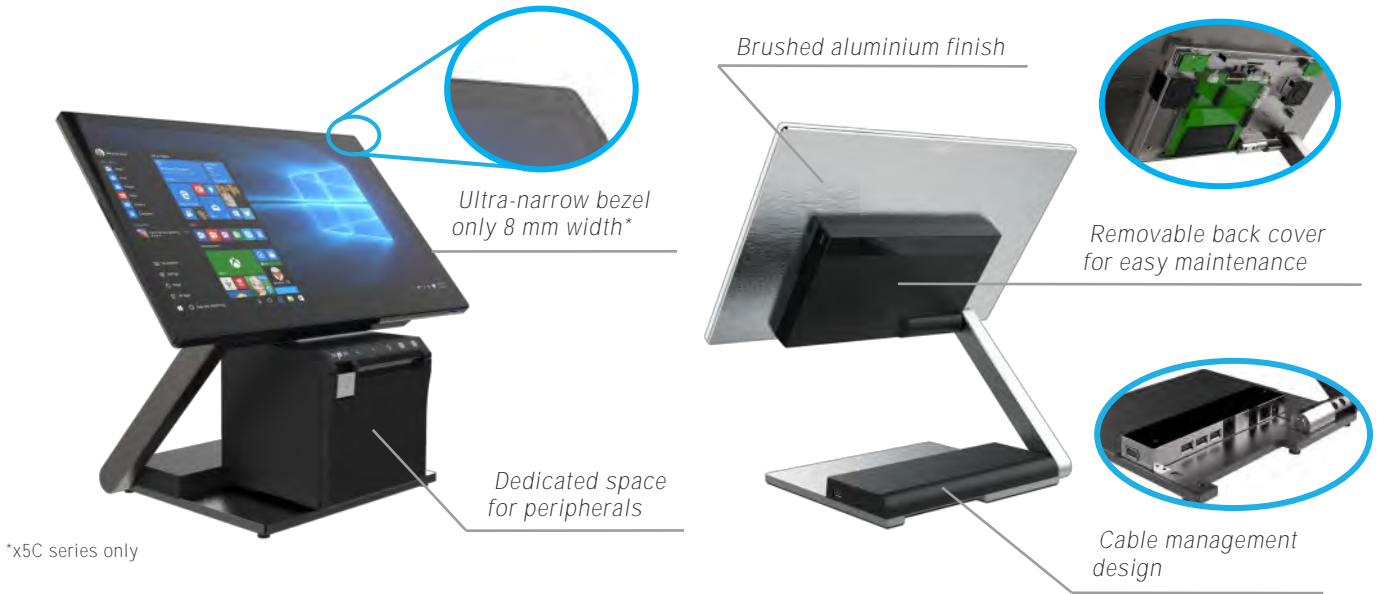
# x5POS



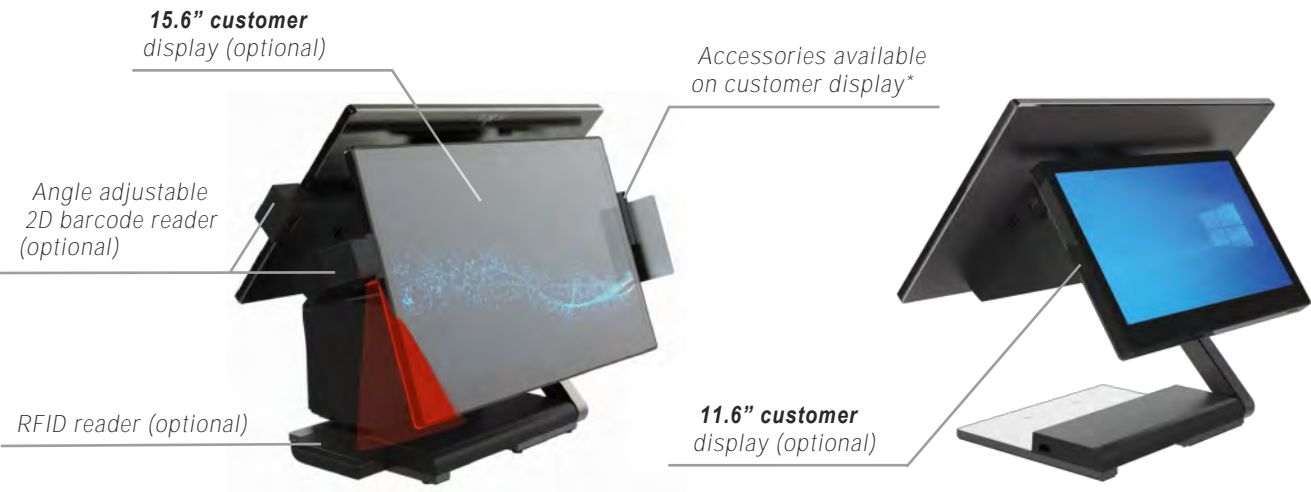
## FEATURES

- Ultra-slim 10 mm thickness touch screen\*
- Ultra-narrow 8 mm bezel LCD screen\*
- IP54 rated - water & dust protected
- Fanless, ventless and Screwless
- Removable motherboard/SSD/RAM
- Capacitive sensor power switch
- Accessories available on both screens
- VESA/WP/wall mount capable
- **15.6" LED backlight widescreen**
- Full HD 1920 x 1080 resolution
- Intel® Quad Core Celeron J6412 or Intel® Hexa Core i3-1215U
- 1 x DDR4 slot up to 16 GB of RAM
- NVMe M.2 2280 SSD (default)
- SATA3 M.2 2242 SSD (expansion)
- Support Linux kernel 3.0 up\*

# All-in-one x5POS point of sale solutions



\*x5C series only



\*Accessory on customer display is BY ORDER

Dimensions: 367 (W) x 195 (D) x 38 to 426 (H) mm  
Weight: 7.5 kg

Serial Ports	USB Ports	Video Port	LAN Port	Speakers	Audio Port	DK Port
2 x RJ50	5 x USB 2.0 1 x USB 3.0	N/A	1 x RJ45	2 x 2 W	N/A	1 x RJ12 (24 V)

MODEL	ITEM CODE	PRODUCT SPECIFICATION	LIST EX GST
x5POS J64	X5C J64	<b>15.6" LED, on-cell PCT touch</b> (10 mm thickness LCD), 1920 x 1080 resolution, 300 cd/m <sup>2</sup> brightness Intel Quad Core Celeron J6412 2.0 GHz up to 2.6 GHz 8 GB DDR4 RAM, removable M.2 NVMe 2280 SSD	\$2200
x5POS T316	X5C T316	<b>15.6" LED, on-cell PCT touch</b> (10 mm thickness LCD), 1920 x 1080 resolution, 300 cd/m <sup>2</sup> brightness Intel Hexa Core i3-1215U 1.2 GHz turbot Boost up to 4.4 GHz 8 GB DDR4 RAM, removable M.2 NVMe 2280 SSD	\$2700

# All-in-one x5POS point of sale solutions



Direct wall mounting without bracket

Ultra-slim screen only 10 mm thickness



Pole\* mount capable



Available in Android 11.0\* / Windows 10



Wall mounting with peripheral integrated

\*Pole is not included

Dimensions: 379 (W) x 195 (D) x 44 to 428 (H) mm  
Weight: 7.5 kg

Serial Ports	USB Ports	Wireless LAN	LAN Port	Speakers	Audio Port	DK Port
1 x RJ50	3 x USB 2.0 1 x USB 3.0	802.11 a/b/g/n/ac Bluetooth 4.1	1 x RJ45	2 x 2 W	N/A	1 x RJ12 (24 V)

MODEL	ITEM CODE	PRODUCT SPECIFICATION	LIST EX GST
x5POS A516 (BY ORDER)	X5S A516	<b>15.6" LED, PCT touch (16 mm thickness LCD),</b> 1920 x 1080 resolution, 300 cd/m <sup>2</sup> brightness ARM Quad Core Cortex-A55 (RK3568) up to 2.0 GHz 4 GB RAM, 64 GB eMMC, Android 11.0	\$1900

## OPTIONS & UPGRADES - x5POS SERIES

### ACCESSORIES

MODEL	ITEM CODE	PRODUCT SPECIFICATION	LIST EX GST
Customer Display	XMON11B	<b>XMON 11.6" glass monitor (J64/T316 )</b>	\$550
	Z-XSM11-B0D0AN01A	<b>XMON 11.6" glass monitor (A516)</b>	\$550
	XMON15A	<b>XMON 15.6" on-cell touch (J64/T316)</b>	\$950
	Z-XSVD-B0AS01A	Integrated 2-line VFD customer display	\$290
3T MSR Reader	Z-XSCR-M2M0A00A	3-track MSR (1+2+3) card reader (A516)	\$180
	Z-XSCR-M4M0A00	3-track MSR (1+2+3) card reader (J64/T316)	\$200
RFID Reader	Z-XSCR-F0R0A00A	13.56 MHz, USB Virtual COM, read/write (J64/T316)	\$290
	Z-XSCR-F0R1A00A	13.56 MHz, USB read UID only (A516)	\$290
	Z-XSCR-F0R3A00A	125 kHz, USB read only (J64/T316)	\$290
Wireless Kit Set	S-WFFFBK02200	Internal Wi-Fi 802.11 a/b/g/n/ac 2T2R + BT 5.0	\$190
Integrated 2D Barcode Reader	Z-XSCR-M4S1A00A	Integrated 2D barcode scanner Kit, facing down (BY ORDER)	\$450
Printer wall mount bracket	<b>MK-FFXSYVSA0</b>	Wall mount bracket kit for x5POS w/ printer (for TP250)	\$100

### SSD & RAM UPGRADE OPTIONS

MODEL	ITEM CODE	PRODUCT SPECIFICATION	LIST EX GST
SSD Upgrade	SSDUPGRADE	From 120 GB to 240 GB (J64/T316)	\$150
		From 120 GB to 480 GB (J64/T316)	\$300
		From 120 GB to 960 GB (J64/T316)	\$600
RAM Upgrade	RAMUPGRADE	From 8 GB to 16 GB (J64/T316)	\$150
		From 8 GB to 32 GB (J64/T316)	\$300

### OPERATING SYSTEM OPTIONS

MODEL	ITEM CODE	PRODUCT SPECIFICATION	LIST EX GST
Windows 10 IoT 2021	MUU-00027	Windows 10 IoT Enterprise 2021 Entry (for J64) (pre-installed with Senor drivers) 64 bit	\$160
Windows 10 IoT 2021	MUU-00028	Windows 10 IoT Enterprise 2021 Value (for T316) (pre-installed with Senor drivers) 64 bit	\$240
Windows 11 IoT	FZM-00025	Windows 11 IoT Enterprise OLC Entry (for J64) (pre-installed with Senor drivers) 64 bit	\$160
Windows 11 IoT	FZP-00025	Windows 11 IoT Enterprise OLC Value (for T316) (pre-installed with Senor drivers) 64 bit	\$240
Windows 11 Pro	WIN11PRO	Windows 11 Professional OEM (pre-installed with Senor drivers) 64 bit	\$400



# v5POS



## FEATURES

- Ultra-narrow bezel-less screen design
- Aluminium die-cast casing
- Germs proof Nano-coating
- IP54 rated - water & dust protected
- Fanless, ventless and Screwless
- Tool-free replaceable coloured frames
- Internal power supply unit
- Capacitive sensor power switch
- **15" LED backlight screen**
- Projected capacitive multi-touch
- Intel® Quad Core Celeron J6412 or Intel® Hexa Core i3-1215U
- 2 x DDR4 slots up to 32 GB of RAM
- NVMe M.2 2280 SSD (default)
- SATA3 M.2 2242 SSD (expansion)
- Tool-free removable SSD

## All-in-one v5POS point of sale solutions



Dimensions: 366 (W) x 193 (D) x 290 (H) mm  
 Weight: 7.5 kg

Serial Ports	USB Ports	Video Port	LAN Port	Speakers	Audio Port	DK Port
3 x RJ50	4 x USB 2.0 2 x USB 3.0	1 x HDMI	1 x RJ45	2 x 1 W	1 x 3.5 mm (combined)	1 x RJ12 (12/24 V)

MODEL	ITEM CODE	PRODUCT SPECIFICATION	LIST EX GST
v5POS J64	V5J64VDPCT	<b>15" LED, 1024 x 768 resolution, 300 cd/m<sup>2</sup> brightness</b> Intel Quad Core Celeron J6412 2.0 GHz up to 2.6 GHz 8 GB DDR4 RAM, removable M.2 NVMe 2280 SSD	\$1750
v5POS T315	V5T315VAPCT	<b>15" LED, 1024 x 768 resolution, 350 cd/m<sup>2</sup> brightness</b> Intel Hexa Core i3-1215U 1.2 GHz Turbo Boost up to 4.4 GHz 8 GB DDR4 RAM, removable NVMe M.2 2280 SSD	\$2250

# All-in-one v5WP point of sale solutions



Dimensions: 366 (W) x 245 (D) x 495 (H) mm  
 Weight: 10 kg

\* BY ORDER item

Serial Ports	USB Ports	Video Port	LAN Port	Speakers	Audio Port	DK Port
3 x RJ50	4 x USB 2.0 2 x USB 3.0	1 x HDMI	1 x RJ45	2 x 1 W	1 x 3.5 mm (combined)	1 x RJ12 (12/24 V)

MODEL	ITEM CODE	PRODUCT SPECIFICATION	LIST EX GST
v5WP J64	V5WPJ64HAPCT	<b>15" LED, 1024 x 768 resolution, 300 cd/m<sup>2</sup> brightness</b> Intel Quad Core Celeron J6412 2.0 GHz up to 2.6 GHz 8 GB DDR4 RAM, removable M.2 NVMe 2280 SSD	\$2050
v5WP T315	V5WPT315HAPCT	<b>15" LED, 1024 x 768 resolution, 350 cd/m<sup>2</sup> brightness</b> Intel Hexa Core i3-1215U 1.2 GHz Turbo Boost up to 4.4 GHz 8 GB DDR4 RAM, removable NVMe M.2 2280 SSD	\$2550

## OPTIONS & UPGRADES - v5POS SERIES

### ACCESSORIES

MODEL	ITEM CODE	PRODUCT SPECIFICATION	LIST EX GST
Customer Display	AMON10EDD	<b>AMON 9.7" glass monitor, resolution 1024 x 768</b>	\$550
	VMON15FDB	<b>VMON 15" glass monitor, resolution 1024 x 768</b>	\$880
	VMON15PDB	<b>VMON 15" PCT touch monitor, resolution 1024 x 768</b>	\$1050
	Z-VI5VD-A0DSC00	Integrated 2-line VFD customer display	\$230
3T MSR Reader	Z-VI5CR-A0000AA1	3-track MSR (Magnetic Stripe Reader) card reader	\$190
RFID Reader	Z-VI5CR-00100AA1	13.56 MHz, USB Virtual COM, read/write	\$270
	Z-VI5CR-00200AA1	125 kHz, USB, read only	\$270
	Z-VI5CR-00400AA1	13.56 MHz, USB, read only	\$270
2-in-1 3T MSR + RFID Reader	Z-VI5CR-A0100AA1	3-track MSR + RFID 13.56 MHz, USB VCOM, read/write	\$350
	Z-VI5CR-A0200AA1	3-track MSR + RFID 125 kHz, USB, read only	\$350
	Z-VI5CR-A0400AA1	3-track MSR + RFID 13.56 MHz, USB, read only	\$350
<b>7" Touchscreen Kit</b>	MK-BSI5ADM01	<b>7" embedded PCT touch monitor</b> (v5WP/v6WP only) Resolution 800 x 480 (BY ORDER)	\$470
Wireless Kit Set	MK-BKV6AWF00	Internal Wi-Fi 802.11 a/b/g/n/ac 2T2R + BT 4.1	\$160
Integrated 2D Barcode Reader (operator side)	Z-VISN-S0NAA0	Integrated 2D barcode scanner Kit, angle adjustable <b>32 bit ARM MCU</b> , 300 scans/sec, omni-directional	\$300
Internal 2D Barcode Reader (operator side)	S-SNOPSN00000	Internal 2D barcode scanner Kit, facing down for v5WP (BY ORDER)	\$530
Internal 2D Barcode Reader (customer side)	VXWPR2DSCANNER	Internal 2D barcode scanner Kit, facing up for v5WP (BY ORDER)	\$530

### SSD & RAM UPGRADE OPTIONS

MODEL	ITEM CODE	PRODUCT SPECIFICATION	LIST EX GST
SSD Upgrade	SSDUPGRADE	From 120 GB to 240 GB	\$150
		From 120 GB to 480 GB	\$300
		From 120 GB to 960 GB	\$600
RAM Upgrade	RAMUPGRADE	From 8 GB to 16 GB	\$150
		From 8 GB to 32 GB	\$300
		From 8 GB to 64 GB (for T315)	\$600

### OPERATING SYSTEM OPTIONS

MODEL	ITEM CODE	PRODUCT SPECIFICATION	LIST EX GST
Windows 10 IoT 2021	MUU-00027	Windows 10 IoT Enterprise 2021 Entry (for J64) (pre-installed with Senor drivers) 64 bit	\$160
Windows 10 IoT 2021	MUU-00028	Windows 10 IoT Enterprise 2021 Value (for T315) (pre-installed with Senor drivers) 64 bit	\$240
Windows 11 IoT	FZM-00025	Windows 11 IoT Enterprise OLC Entry (for J64) (pre-installed with Senor drivers) 64 bit	\$160
Windows 11 IoT	FZP-00025	Windows 11 IoT Enterprise OLC Value (for T315) (pre-installed with Senor drivers) 64 bit	\$240
Windows 11 Pro	WIN11PRO	Windows 11 Professional OEM (pre-installed with Senor drivers) 64 bit	\$400

# v6POS



## FEATURES

- Ultra-narrow bezel-less screen design
- Aluminium die-cast casing
- Germs proof Nano-coating
- IP54 rated - water & dust protected
- Fanless and Screwless
- Tool-free replaceable coloured frames
- Internal power supply unit
- Capacitive sensor power switch
- **15" LED backlight screen**
- Projected capacitive multi-touch
- Intel® Deca Core i7-1255U 4.7 GHz high performance processor
- 2 x DDR4 slots up to 64 GB of RAM
- 2nd M.2 SSD Expansion
- Tool-free SSD exchange cover
- Supports RAID 0/1 disk mirroring

## All-in-one v6POS point of sale solutions



Dimensions: 366 (W) x 193 (D) x 290 (H) mm  
 Weight: 7.5 kg

Serial Ports	USB Ports	Video Port	LAN Port	Speakers	Audio Port	DK Port
3 x RJ50	4 x USB 2.0 2 x USB 3.0	1 x HDMI	1 x RJ45	2 x 2 W	1 x 3.5 mm (combined)	1 x RJ12 (24 V)

MODEL	ITEM CODE	PRODUCT SPECIFICATION	LIST EX GST
v6POS T715	V6T715HDPCT	<b>15" LED, 1024 x 768 resolution, 350 cd/m<sup>2</sup> brightness</b> Intel Core i7-1255U 1.7 GHz Turbo Boost up to 4.7 GHz 8 GB DDR4 RAM, removable NVMe M.2 2280 SSD	\$3200

# All-in-one v6WP point of sale solutions



✖ 7" / upward customer display is BY ORDER item

Dimensions: 366 (W) x 245 (D) x 495 (H) mm  
Weight: 10 kg

Serial Ports	USB Ports	Video Port	LAN Ports	Speakers	Audio Port	DK Port
2 x DB9 1 x RJ50	4 x USB 2.0 2 x USB 3.0	1 x HDMI	1 x RJ45	2 x 2 W	1 x 3.5 mm combined	1 x RJ12 (24 V)

MODEL	ITEM CODE	PRODUCT SPECIFICATION	LIST EX GST
v6WP T715 (BY ORDER)	V6WPT715HAPCT	<b>15" LED, 1024 x 768 resolution, 350 cd/m<sup>2</sup> brightness</b> Intel Core i7-1255U 1.7 GHz Turbo Boost up to 4.7 GHz 8 GB DDR4 RAM, removable NVMe M.2 2280 SSD	\$3500

## OPTIONS & UPGRADES - v6POS SERIES

### ACCESSORIES

MODEL	ITEM CODE	PRODUCT SPECIFICATION	LIST EX GST
Customer Display	AMON10EDD	<b>AMON 9.7" glass monitor, resolution 1024 x 768</b>	\$550
	VMON15FDB	<b>VMON 15" glass monitor, resolution 1024 x 768</b>	\$880
	VMON15PDB	<b>VMON 15" PCT touch monitor, resolution 1024 x 768</b>	\$1050
	Z-VI5VD-A0DSC00	Integrated 2-line VFD customer display	\$230
3T MSR Reader	Z-VI5CR-A0000AA1	3-track MSR (Magnetic Stripe Reader) card reader	\$190
RFID Reader	Z-VI5CR-00100AA1	13.56 MHz, USB Virtual COM, read/write	\$270
	Z-VI5CR-00200AA1	125 kHz, USB, read only	\$270
	Z-VI5CR-00400AA1	13.56 MHz, USB, read only	\$270
2-in-1 3T MSR + RFID Reader	Z-VI5CR-A0100AA1	3-track MSR + RFID 13.56 MHz, USB VCOM, read/write	\$350
	Z-VI5CR-A0200AA1	3-track MSR + RFID 125 kHz, USB, read only	\$350
	Z-VI5CR-A0400AA1	3-track MSR + RFID 13.56 MHz, USB, read only	\$350
<b>7" Touchscreen Kit</b>	MK-BSI5ADM01	<b>7" embedded PCT touch monitor</b> (v5WP/v6WP only) Resolution 800 x 480 (BY ORDER)	\$470
Wireless Kit Set	MK-BKV6AWF00	Internal Wi-Fi 802.11 a/b/g/n/ac 2T2R + BT 4.1	\$160
Integrated 2D Barcode Reader (operator side)	Z-VISN-S0NAA0	Integrated 2D barcode scanner Kit, angle adjustable <b>32 bit ARM MCU</b> , 300 scans/sec, omni-directional	\$300
Internal 2D Barcode Reader (operator side)	S-SNOPSN00000	Internal 2D barcode scanner Kit, facing down for v5WP (BY ORDER)	\$530
Internal 2D Barcode Reader (customer side)	VXWPR2DSCANNER	Internal 2D barcode scanner Kit, facing up for v5WP (BY ORDER)	\$530

### SSD & RAM UPGRADE OPTIONS

MODEL	ITEM CODE	PRODUCT SPECIFICATION	LIST EX GST
SSD Upgrade	SSDUPGRADE	From 120 GB to 240 GB	\$150
		From 120 GB to 480 GB	\$300
		From 120 GB to 960 GB	\$600
RAM Upgrade	RAMUPGRADE	From 8 GB to 16 GB	\$150
		From 8 GB to 32 GB	\$300
		From 8 GB to 64 GB	\$600

### OPERATING SYSTEM OPTIONS

MODEL	ITEM CODE	PRODUCT SPECIFICATION	LIST EX GST
Windows 10 IoT 2021	MUT-00074	Windows 10 IoT Enterprise 2021 High End (pre-installed with Senor drivers) 64 bit	\$400
Windows 11 IoT	6F6-00171	Windows 11 IoT Enterprise OLC High End (pre-installed with Senor drivers) 64 bit	\$400
Windows 11 Pro	WIN11PRO	Windows 11 Professional OEM (pre-installed with Senor drivers) 64 bit	\$400



# K5POS



## FEATURES

- **IP66 rated** - water & dust protected
- Aluminium die-cast casing
- Fanless and ventless
- Exclusive nanotechnology coating
- Projected capacitive multi-touch screen
- VESA mount capable
- 90 degree tilting angle base with cable management design
- **15" TFT LED backlight screen**
- **Resolution 1024 x 768 (15")**
- Intel® Quad Core Celeron J6412 or Intel® Octa Core i3-N305
- 2 x DDR4 slots up to 32 GB of RAM
- Removable M.2 NVMe SSD

# All-in-one k5POS point of sale solutions

specially designed to meet the demands of harsh environments



Serial Ports	USB Ports	Video Port	LAN Port	Speakers	Audio Ports	DK Port
2 x D-SUB9	1 x Front 3 x Back	1 x HDMI	1 x RJ45	2 x 1 W	1 x 3.5 mm (combined)	1 x RJ12 (12/24 V)

MODEL (15")	ITEM CODE	PRODUCT SPECIFICATION	LIST EX GST
k5POS J64	K5J64PCTX	<b>15" PCT, 1024 x 768 resolution, 350 cd/m<sup>2</sup> brightness</b> Intel Quad Core Celeron J6412 2.0 GHz up to 2.6 GHz 8 GB DDR4 RAM, removable M.2 NVMe 2280 SSD	\$1900
k5POS N315	K5N315PCTX	<b>15" PCT, 1024 x 768 resolution, 350 cd/m<sup>2</sup> brightness</b> Intel Octa Core i3-N305 J6412 1.8 GHz up to 3.8 GHz 8 GB DDR4 RAM, removable M.2 NVMe 2280 SSD	\$2400

## OPTIONS & UPGRADES - v6POS SERIES

### ACCESSORIES

MODEL	ITEM CODE	PRODUCT SPECIFICATION	LIST EX GST
Customer Display	AMON10EDD	<b>AMON 9.7" glass monitor, resolution 1024 x 768</b>	\$550
	VMON15FDB	<b>VMON 15" glass monitor, resolution 1024 x 768</b>	\$880
	VMON15PDB	<b>VMON 15" PCT touch monitor, resolution 1024 x 768</b>	\$1050
	Z-VI5VD-A0DSC00	Integrated 2-line VFD customer display	\$230
3T MSR Reader	Z-VI5CR-A0000AA1	3-track MSR (Magnetic Stripe Reader) card reader	\$190
RFID Reader	Z-VI5CR-00100AA1	13.56 MHz, USB Virtual COM, read/write	\$270
	Z-VI5CR-00200AA1	125 kHz, USB, read only	\$270
	Z-VI5CR-00400AA1	13.56 MHz, USB, read only	\$270
	Z-VI5CR-A0100AA1	3-track MSR + RFID 13.56 MHz, USB VCOM, read/write	\$350
2-in-1 3T MSR + RFID Reader	Z-VI5CR-A0200AA1	3-track MSR + RFID 125 kHz, USB, read only	\$350
	Z-VI5CR-A0400AA1	3-track MSR + RFID 13.56 MHz, USB, read only	\$350
Wireless Kit Set	S-WFFFBK02200	Integrated 802.11 b/g/n/ac 2T2R wireless LAN + BT 5.0	\$160
Integrated 2D Barcode Reader (operator side)	Z-VISN-S0NAA0	Integrated 2D barcode scanner Kit, angle adjustable <b>32 bit ARM MCU</b> , 300 scans/sec, omni-directional	\$300

### SSD & RAM UPGRADE OPTIONS

MODEL	ITEM CODE	PRODUCT SPECIFICATION	LIST EX GST
SSD Upgrade	SSDUPGRADE	From 120 GB to 240 GB	\$150
		From 120 GB to 480 GB	\$300
		From 120 GB to 960 GB	\$600
RAM Upgrade	RAMUPGRADE	From 8 GB to 16 GB	\$150
		From 8 GB to 32 GB	\$300
		From 8 GB to 64 GB (N315)	\$600

### OPERATING SYSTEM OPTIONS

MODEL	ITEM CODE	PRODUCT SPECIFICATION	LIST EX GST
Windows 10 IoT 2021	MUU-00027	Windows 10 IoT Enterprise 2021 Entry (J64) (pre-installed with Senor drivers) 64 bit	\$160
Windows 10 IoT 2021	MUU-00028	Windows 10 IoT Enterprise 2021 Value (for N315) (pre-installed with Senor drivers) 64 bit	\$240
Windows 11 IoT	FZM-00025	Windows 11 IoT Enterprise OLC Entry (for J64) (pre-installed with Senor drivers) 64 bit	\$160
Windows 11 IoT	FZP-00025	Windows 11 IoT Enterprise OLC Value (for N315) (pre-installed with Senor drivers) 64 bit	\$240
Windows 11 Pro	WIN11PRO	Windows 11 Professional OEM (pre-installed with Senor drivers) 64 bit	\$400

# iSPOS 10



## FEATURES

- **IP66 rated** - water & dust protected
- Aluminium die-cast casing
- Fan-less and vent-less
- Internal power supply unit
- Exclusive nanotechnology coating
- Projected capacitive multi-touch screen
- Desktop / wall-mount / VESA mount
- **10.4" LED backlight screen**
- Resolution 1024 x 768 pixels
- 400 cd/m<sup>2</sup> brightness
- Intel® Quad Core Celeron J6412 or Intel® Hexa Core i3-1215U
- 1 x DDR4 slots up to 16 GB of RAM

# All-in-one iSPOS 10 point of sale solutions



\*Pole is not included

Dimensions: 280 (W) x 165 (D) x 230 (H) mm (Desktop)  
 280 (W) x 50 (D) x 345 (H) mm (Wall Mount)  
 Weight: 3.0Kg (Desktop)  
 2.5Kg (Wall Mount)

Serial Ports	USB Ports	Video Port	LAN Port	Speakers	Wireless LAN	DK Port
2 x D-SUB9	4 x USB 2.0	1 x HDMI	1 x RJ45	2 x 1 W	Optional 1 x 802.11 n	1 x RJ12 (24V)

MODEL	ITEM CODE	PRODUCT SPECIFICATION	LIST EX GST
iSPOS J610	ISPOSJ610	<b>10.4" LED, 1024 x 768 resolution, 400 cd/m<sup>2</sup> brightness</b> Intel Quad Core Celeron J6412 2.0 GHz up to 2.6 GHz 8 GB DDR4 RAM, 1 x M.2 NVMe 2280 SSD	\$1900
iSPOS T310 (BY ORDER)	ISPOST310	<b>10.4" LED, 1024 x 768 resolution 400 cd/m<sup>2</sup> brightness</b> Intel Hexa Core i3-1215U 1.2 GHz Turbo Boost up to 4.4 GHz 8 GB DDR4 RAM, 1 x M.2 PCIe 2280 SSD	\$2400

## OPTIONS & UPGRADES - iSPOS 10 SERIES

### ACCESSORIES

MODEL	ITEM CODE	PRODUCT SPECIFICATION	LIST EX GST
Wi-Fi Module	Z-IFCR-F00C0A0	Internal Wi-Fi 802.11 b/g/n 1T1R	\$130
3T MSR Card Reader	Z-IFCR-F70G0AB	3-track MSR (Magnetic Stripe Reader) card reader	\$190
RFID Reader	Z-IFCR-00EC0A0	Integrated RFID reader 125KHz (USB) read only	\$270

### SSD & RAM UPGRADE OPTIONS

MODEL	ITEM CODE	PRODUCT SPECIFICATION	LIST EX GST
SSD Upgrade	SSDUPGRADE	From 120 GB to 240 GB	\$150
		From 120 GB to 480 GB	\$300
		From 120 GB to 960 GB	\$600
RAM Upgrade	RAMUPGRADE	From 8 GB to 16 GB	\$150
		From 8 GB to 32 GB (for T310)	\$300

### OPERATING SYSTEM OPTIONS

MODEL	ITEM CODE	PRODUCT SPECIFICATION	LIST EX GST
Windows 10 IoT 2021	MUU-00027	Windows 10 IoT Enterprise 2021 Entry (for J610) (pre-installed with Senor drivers) 64 bit	\$160
Windows 10 IoT 2021	MUU-00028	Windows 10 IoT Enterprise 2021 Value (for T310) (pre-installed with Senor drivers) 64 bit	\$240
Windows 11 IoT	FZM-00025	Windows 11 IoT Enterprise OLC Entry (for J610) (pre-installed with Senor drivers) 64 bit	\$160
Windows 11 IoT	FZP-00025	Windows 11 IoT Enterprise OLC Value (for T310) (pre-installed with Senor drivers) 64 bit	\$240
Windows 11 Pro	WIN11PRO	Windows 11 Professional OEM (pre-installed with Senor drivers) 64 bit	\$400

# iSPOS



## FEATURES

- **IP66 rated** - water & dust protected
- Aluminium die-cast casing
- Fanless and ventless
- Internal power supply unit
- Exclusive nanotechnology coating
- Senor 5-wire resistive touch screen or projected capacitive multi-touch screen
- 270 degree swivel base
- **15" or 17" TFT LED backlight screen**
- **Resolution 1024 x 768 (15")**
- **Resolution 1280 x 1024 (17")**
- Intel® Deca Core i7-1255U or Quad Core Celeron J6412
- 2 x DDR4 slots up to 64 GB of RAM (T715/T717)
- Removable M.2 NVMe SSD

# All-in-one iSPOS point of sale solutions

specially designed to meet the demands of harsh environments



Serial Ports	USB Ports	Video Port	LAN Port	Speakers	Audio Ports	DK Port	PS/2
2 x D-SUB9	1 x Front 3 x Back	1 x HDMI	1 x RJ45	2 x 1 W	1 x 3.5 mm (combined)	1 x RJ12 (12/24 V)	1

MODEL (15")	ITEM CODE	PRODUCT SPECIFICATION	LIST EX GST
iSPOS 1200	ISPOS1200PCTX	<b>15" PCT, 1024 x 768 resolution, 350 cd/m<sup>2</sup> brightness</b> Intel Quad Core Celeron J6412 2.0 GHz up to 2.6 GHz 8 GB DDR4 RAM, removable M.2 NVMe 2280 SSD	\$2050
iSPOS T715	ISPOST715PCT	<b>15" PCT, 1024 x 768 resolution, 350 cd/m<sup>2</sup> brightness</b> Intel Core i7-1255U 1.7 GHz Turbo Boost up to 4.7 GHz 8 GB DDR4 RAM, removable NVMe M.2 2280 SSD	\$3050

MODEL (17")	ITEM CODE	PRODUCT SPECIFICATION	LIST EX GST
iSPOS 1270 (BY ORDER)	ISPOS1270T	<b>17" resistive, 1280 x 1024 resolution, 350 cd/m<sup>2</sup> brightness</b> Intel Quad Core Celeron J6412 2.0 GHz up to 2.6 GHz 8 GB DDR4 RAM, removable M.2 NVMe 2280 SSD	\$2300
iSPOS T717 (BY ORDER)	ISPOST717PCT	<b>17" resistive, 1280 x 1024 resolution, 350 cd/m<sup>2</sup> brightness</b> Intel Core i7-1255U 1.7 GHz Turbo Boost up to 4.7 GHz 8 GB DDR4 RAM, removable NVMe M.2 2280 SSD	\$3300



## iSPOS WP solutions



Dimensions: 390 (W) x 260 (D) x 470 (H) mm  
 Weight: **15 kg (15" ISPOS WP)**  
 Dimensions: 446 (W) x 260 (D) x 520 (H) mm  
 Weight: **17 kg (17" ISPOS WP)**

Serial Ports	USB Ports	Video Port	LAN Port	Speakers	Audio Port	DK Port	PS/2
2 x D-SUB9	1 x Front 2 x Back	1 x HDMI	1 x RJ45	2 x 1 W	1 x 3.5 mm (combined)	1 x RJ12 (12/24 V)	1

MODEL (15")	ITEM CODE	PRODUCT SPECIFICATION	LIST EX GST
iSPOS 1200 WP	ISPOS1200WP	<b>15" PCT, 1024 x 768 resolution, 350 cd/m<sup>2</sup> brightness</b> Intel Quad Core Celeron J6412 2.0 GHz up to 2.6 GHz 8 GB DDR4 RAM, removable M.2 NVMe 2280 SSD Built-in TP-250III thermal printer, serial /parallel /USB	\$2550
iSPOS T715 WP	ISPOST715WP	<b>15" PCT, 1024 x 768 resolution, 350 cd/m<sup>2</sup> brightness</b> Intel Core i7-1255U 1.7 GHz Turbo Boost up to 4.7 GHz 8 GB DDR4 RAM, removable NVMe M.2 2280 SSD Built-in TP-250III thermal printer, serial /parallel /USB	\$3500
MODEL (17")	ITEM CODE	PRODUCT SPECIFICATION	LIST EX GST
iSPOS 1270 WP (BY ORDER)	ISPOS1270WP	<b>17" resistive, 1280 x 1024 resolution, 350 cd/m<sup>2</sup> brightness</b> Intel Quad Core Celeron J6412 2.0 GHz up to 2.6 GHz 8 GB DDR4 RAM, removable M.2 NVMe 2280 SSD Built-in TP-250III thermal printer, serial /parallel /USB	\$2800
iSPOS T717 WP (BY ORDER)	ISPOST717WP	<b>17" resistive, 1280 x 1024 resolution, 350 cd/m<sup>2</sup> brightness</b> Intel Core i7-1255U 1.7 GHz Turbo Boost up to 4.7 GHz 8 GB DDR4 RAM, removable NVMe M.2 2280 SSD Built-in TP-250III thermal printer, serial /parallel /USB	\$3800

## iSPOS Panel PC solution



\*Pole / bracket is not included

Dimensions: 389 (W) x 96 (D) x 334 (H) mm  
 Weight: **8.5 kg (15" iSPOS Panel PC)**  
 Dimensions: 446 (W) x 118 (D) x 388 (H) mm  
 Weight: **9.6 kg (17" iSPOS Panel PC)**

Serial Ports	USB Ports	Video Port	LAN Port	Speakers	Audio Port	DK Port	PS/2
3 x RJ50	1 x Front 4 x Back	1 x HDMI	1 x RJ45	2 x 1 W	1 x 3.5 mm (combined)	1 x RJ12 (12/24 V)	1

MODEL (15")	ITEM CODE	PRODUCT SPECIFICATION	LIST EX GST
iSPOS 1200 Panel PC	ISPOS1200PCTNB	<b>15" PCT, 1024 x 768 resolution, 350 cd/m<sup>2</sup> brightness</b> Intel Quad Core Celeron J6412 2.0 GHz up to 2.6 GHz 8 GB DDR4 RAM, removable M.2 NVMe 2280 SSD	\$2050
iSPOS T715 Panel PC	ISPOST715PCTNB	<b>15" PCT, 1024 x 768 resolution, 350 cd/m<sup>2</sup> brightness</b> Intel Core i7-1255U 1.7 GHz Turbo Boost up to 4.7 GHz 8 GB DDR4 RAM, removable NVMe M.2 2280 SSD	\$3050

MODEL (17")	ITEM CODE	PRODUCT SPECIFICATION	LIST EX GST
iSPOS 1270 Panel PC (BY ORDER)	ISPOS1270NB	<b>17" resistive, 1280 x 1024 resolution, 350 cd/m<sup>2</sup> brightness</b> Intel Quad Core Celeron J6412 2.0 GHz up to 2.6 GHz 8 GB DDR4 RAM, removable M.2 NVMe 2280 SSD	\$2300
iSPOS T717 Panel PC (BY ORDER)	ISPOST717NB	<b>17" resistive, 1280 x 1024 resolution, 350 cd/m<sup>2</sup> brightness</b> Intel Core i7-1255U 1.7 GHz Turbo Boost up to 4.7 GHz 8 GB DDR4 RAM, removable NVMe M.2 2280 SSD	\$3300

# OPTIONS & UPGRADES - iSPOS SERIES



## ACCESSORIES

MODEL	ITEM CODE	PRODUCT SPECIFICATION	LIST EX GST
Resistive touch panel	MK-FRI5MAAAB	Resistive touch panel kit	\$0
Customer Display	M9FDC	<b>M9 9.7", IP54, glass, 1024 x 768 (SPOS 1200/1270)</b>	\$550
	M15FDC	<b>M15 15", IP54, glass, 1024 x 768 (SPOS 1200/1270)</b>	\$880
	Z-I5VD-A3SC000	2-line VFD customer display (IP66 Rated)	\$230
3T MSR Card Reader	Z-I2CR-D80C0A0	3-track MSR (Magnetic Stripe Reader) card reader	\$190
Smart Card Reader	Z-I5CR-005C0A0	Integrated IC smart card reader (BY ORDER)	\$190
RFID Reader	Z-I2CR-00BC0A0	125 kHz, USB, read only	\$270
	Z-I2CR-00DC0A0	13.56 MHz, USB Virtual COM, read/write	\$270
	Z-I2CR-00HC0A0	13.56 MHz, USB, read only	\$270
	Z-I2CR-D6BC0A0	3-track MSR + RFID 125 kHz, USB, read only	\$350
2-in-1 3T MSR + RFID Reader	Z-I2CR-D8DC0A0	3-track MSR + RFID 13.56 MHz, USB VCOM, read/write	\$350
	Z-I2CR-D8HC0A0	3-track MSR + RFID 13.56 MHz, USB, read only	\$350
Fingerprint Reader	Z-I5CR-000C2A0	Fingerprint reader (BY ORDER)	\$320
2-in-1 3T MSR + Fingerprint Reader	Z-I2CR-D50C2A0	3-track MSR + Fingerprint Reader (BY ORDER)	\$390
Wi-Fi Module	MK-BK00AWFA3	External Wi-Fi 802.11 a/b/g/n 2T2R	\$150
	Z-I5VD-E0SC000	Integrated Wi-Fi 802.11 a/b/g/n/ac 2T2R + BT 4.1	\$190
iSPOS WP Pedestal	GST-MKS05BN1	With locking plate Dimensions: 460 (W) x 500 (D) x 1000 (H) mm Weight: 10 kg	\$950
Pedestal Castors	PDSTCST	Lockable pedestal castor set (4 castors)	\$190
WP Printer Cover	GPL-10WP03BN	WP printer cover set (black)	\$30

## SSD & RAM UPGRADE OPTIONS

MODEL	ITEM CODE	PRODUCT SPECIFICATION	LIST EX GST
SSD Upgrade	SSDUPGRADE	From 120 GB to 240 GB	\$150
		From 120 GB to 480 GB	\$300
		From 120 GB to 960 GB	\$600
RAM Upgrade	RAMUPGRADE	From 8 GB to 16 GB	\$150
		From 8 GB to 32 GB	\$300
		From 8 GB to 64 GB (for T715/T717)	\$600

## OPERATING SYSTEM OPTIONS

MODEL	ITEM CODE	PRODUCT SPECIFICATION	LIST EX GST
Windows 10 IoT 2021	MUU-00027	Windows 10 IoT Enterprise 2021 Entry (1200/1270) (pre-installed with Senor drivers) 64 bit	\$160
Windows 10 IoT 2021	MUT-00074	Windows 10 IoT Enterprise 2021 High End (T715/T717) (pre-installed with Senor drivers) 64 bit	\$400
Windows 11 IoT	FZM-00025	Windows 11 IoT Enterprise OLC Entry (1200/1270) (pre-installed with Senor drivers) 64 bit	\$160
Windows 11 IoT	6F6-00171	Windows 11 IoT Enterprise OLC High End (T715/T717) (pre-installed with Senor drivers) 64 bit	\$400
Windows 11 Pro	WIN11PRO	Windows 11 Professional OEM (pre-installed with Senor drivers) 64 bit	\$400

# Yocto POS



## FEATURES

- Projected capacitive touch screen
- 6H degree hardness glass screen
- Aluminium die-cast casing
- Fanless and ventless
- 0-90° flexible tilting angle base with cable management desing
- **15" LED backlight screen**
- Intel® Quad Core Celeron J6412 or Intel® Hexa Core i3-1215U
- Removable M.2 NVMe/SATA SSD
- 8 GB DDR4 RAM

# All-in-one Yocto POS point of sale solutions



Dimensions: 374 (W) x 208 (D) x 356 (H) mm  
 Weight: 5.3 kg

Serial Ports	USB Ports	LAN Port	Speakers	Audio Port	DK Port
3 x RJ48	5 x USB 2.0, 4 x USB 3.2 (1 x type C) 1 x Power USB 24V	1 x RJ45	1 x 2 W	1 x 3.5 mm Line out	1 x RJ12 (12/24 V)

MODEL	ITEM CODE	PRODUCT SPECIFICATION	LIST EX GST
Yocto POS 6400	YOCTO6400PCTX	<b>15" PCT, 1024 x 768 resolution, 350 cd/m<sup>2</sup> brightness</b> Intel Quad Core Celeron J6412 2.0 GHz up to 2.6 GHz 8 GB DDR4 RAM, removable M.2 NVMe 2280 SSD	\$1600
Yocto POS T315	YOCTOT315PCTX	<b>15" LED, 1024 x 768 resolution, 350 cd/m<sup>2</sup> brightness</b> Intel Hexa Core i3-1215U 1.2 GHz Turbo Boost up to 4.4 GHz 8 GB DDR4 RAM, removable NVMe M.2 2280 SSD	\$2200

## OPTIONS & UPGRADES - Yocto POS SERIES

### ACCESSORIES

MODEL	ITEM CODE	PRODUCT SPECIFICATION	LIST EX GST
<b>9.7" Customer Display</b>	YOCTO2ND9G	<b>9.7" glass customer display, resolution 1024 x 768</b>	\$550
VFD Customer Display	YOCTOVFD	Yocto POS integrated VFD (2 x 20 characters)	\$230
3T MSR Card Reader	YOCTOMSR	3-track MSR (Magnetic Stripe Reader) card reader	\$190
RFID Reader	YOCTORFID-125K	125 kHz, USB Virtual COM, read/write	
	YOCTORFID-13.56M	13.56 MHz, USB Virtual COM, read/write	
Wi-Fi Module	YOCTOWF	Internal Wi-Fi 802.11 a/b/g/n 2T2R + BT 4.0	
Integrated 2D Barcode Reader	YOCTO2DSCANNER	Integrated 2D barcode scanner Kit (BY ORDER)	\$400

### SSD & RAM UPGRADE OPTIONS

MODEL	ITEM CODE	PRODUCT SPECIFICATION	LIST EX GST
SSD Upgrade	SSDUPGRADE	From 120 GB to 240 GB	\$150
		From 120 GB to 480 GB	\$300
		From 120 GB to 960 GB	\$600
RAM Upgrade	RAMUPGRADE	From 8 GB to 16 GB	\$150
		From 8 GB to 32 GB	\$300

### OPERATING SYSTEM OPTIONS

MODEL	ITEM CODE	PRODUCT SPECIFICATION	LIST EX GST
Windows 10 IoT 2021	MUU-00027	Windows 10 IoT Enterprise 2021 Entry (for 6400) (pre-installed with Senor drivers) 64 bit	\$160
Windows 10 IoT 2021	MUU-00028	Windows 10 IoT Enterprise 2021 Value (for T315) (pre-installed with Senor drivers) 64 bit	\$240
Windows 11 IoT	FZM-00025	Windows 11 IoT Enterprise OLC Entry (for 6400) (pre-installed with Senor drivers) 64 bit	\$160
Windows 11 IoT	FZP-00025	Windows 11 IoT Enterprise OLC Value (for T315) (pre-installed with Senor drivers) 64 bit	\$240
Windows 11 Pro	WIN11PRO	Windows 11 Professional OEM (pre-installed with Senor drivers) 64 bit	\$400

# Hecto POS



## FEATURES

- Projected capacitive touch screen
- Aluminium diecast casing & base
- Fanless and ventless
- Magnetic cable management cover
- VESA mount capability
- Supports Windows 11 or Android 11
- **15"/15.6" LED backlight screen**
- Intel® Quad Core Celeron J6412 or ARM Cortex Quad Core A55
- DDR4 up to 16 GB of RAM (J615)
- **Removable SATA 2.5" SSD (J615)**
- VGA display port (J615)

# All-in-one Hecto POS point of sale solutions

**15" Bezel-less PCT**  
Windows terminal



**15.6" Bezel-less PCT**  
Android terminal



**10.4"/11.6" customer display (optional)**



Magnetic cable cover for easy cable management

Aluminium die-cast casing & base

VESA mount capability\*



\*Pole / bracket is not included

Dimensions: 374 (W) x 208 (D) x 356 (H) mm  
 Weight: 6.0 kg (J615)  
 Dimensions: 380 (W) x 180 (D) x 330 (H) mm  
 Weight: 5.5 kg (A516)

Serial Ports	USB Ports	Video Port	LAN Port	Speakers	Audio Port	DK Port
3 x RJ50 (J615) 1 x RJ11 (A516)	4 x USB 3.0 (J615) 2 x USB 2.0 (A516) 2 x USB 3.0 (A516)	1 x VGA (J615) 1 x mini HDMI (A516)	1 x RJ45	2 x 2 W	1 x 3.5 mm combined (J615)	1 x 24V (J615) GPIO controlled 1 x 12V (A516)

MODEL	ITEM CODE	PRODUCT SPECIFICATION	LIST EX GST
Hecto POS A516	HECTOA516	<b>15.6" TFT LCD, Full HD, projected capacitive touch screen</b> ARM Cortex Quad Core A55 (RK3568) up to 2.0 GHz 4 GB LPDDR4 RAM, 32 GB eMMC, Android 11.0	\$1250
Hecto POS J615	HECTOJ615XPCT	<b>15" TFT LCD, projected capacitive touch screen</b> Intel Quad Core Celeron J6412 2.0 GHz up to 2.60 GHz <b>8 GB DDR4 RAM, removable SATA 2.5" SSD</b>	\$1400



## OPTIONS & UPGRADES - Hecto POS SERIES

### ACCESSORIES

MODEL	ITEM CODE	PRODUCT SPECIFICATION	LIST EX GST
<b>10.4" Customer Display</b>	NANO10GUV	<b>10.4" glass customer display, resolution 800x600</b> with hinge to mount onto Hecto POS J615 (USB interface, no VGA cable & PSU required)	\$530
<b>11.6" Customer Display</b>	HECTO2ND11	<b>11.6" glass customer display, resolution 1280x800</b> with hinge to mount onto Hecto POS A516 (mini HDMI interface, no PSU required)	\$530

### SSD & RAM UPGRADE OPTIONS

MODEL	ITEM CODE	PRODUCT SPECIFICATION	LIST EX GST
SSD Upgrade	SSDUPGRADE	From 120 GB to 240 GB (for J615)	\$150
		From 120 GB to 480 GB (for J615)	\$300
		From 120 GB to 960 GB (for J615)	\$600
RAM Upgrade	RAMUPGRADE	From 8 GB to 16 GB (for J615)	\$150
		From 8 GB to 32 GB (for J615)	\$300
12 Months Additional Warranty	LTD002	12 months additional warranty (total 24 months)	\$100
24 Months Additional Warranty	LTD036	24 months additional warranty (total 36 months)	\$200

### OPERATING SYSTEM OPTIONS

MODEL	ITEM CODE	PRODUCT SPECIFICATION	LIST EX GST
Windows 10 IoT 2021	MUU-00027	Windows 10 IoT Enterprise 2021 Entry (pre-installed with Senor drivers) 64 bit	\$160
Windows 11 IoT	FZM-00025	Windows 11 IoT Enterprise OLC Entry (pre-installed with Senor drivers) 64 bit	\$160
Windows 11 Pro	WIN11PRO	Windows 11 Professional OEM (pre-installed with Senor drivers) 64 bit	\$400

# KDS



*KDS 1200/1270*



*KDS J64/T321*

## FEATURES

- Specially designed to meet the demands of harsh environments
- Aluminium die-cast casing
- Exclusive Nano-technology coating
- **IP66 rated** - water & dust protected
- Internal power supply unit
- Fanless and ventless
- Senor 5-wire resistive or PCT touch screen or glass screen
- **15"/ 17"/ 21.5" TFT LCD screen**
- **Resolution 1024 x 768 (15")**
- **Resolution 1280 x 1024 (17")**
- **Resolution 1920 x 1080 (21.5")**
- Intel® Quad Core Celeron J6412 or Intel® Hexa Core i3-1215U
- Removable M.2 NVMe SSD

# All-in-one KDS kitchen display system

specially designed to meet the demands of harsh environments



\*Pole / bracket is not included

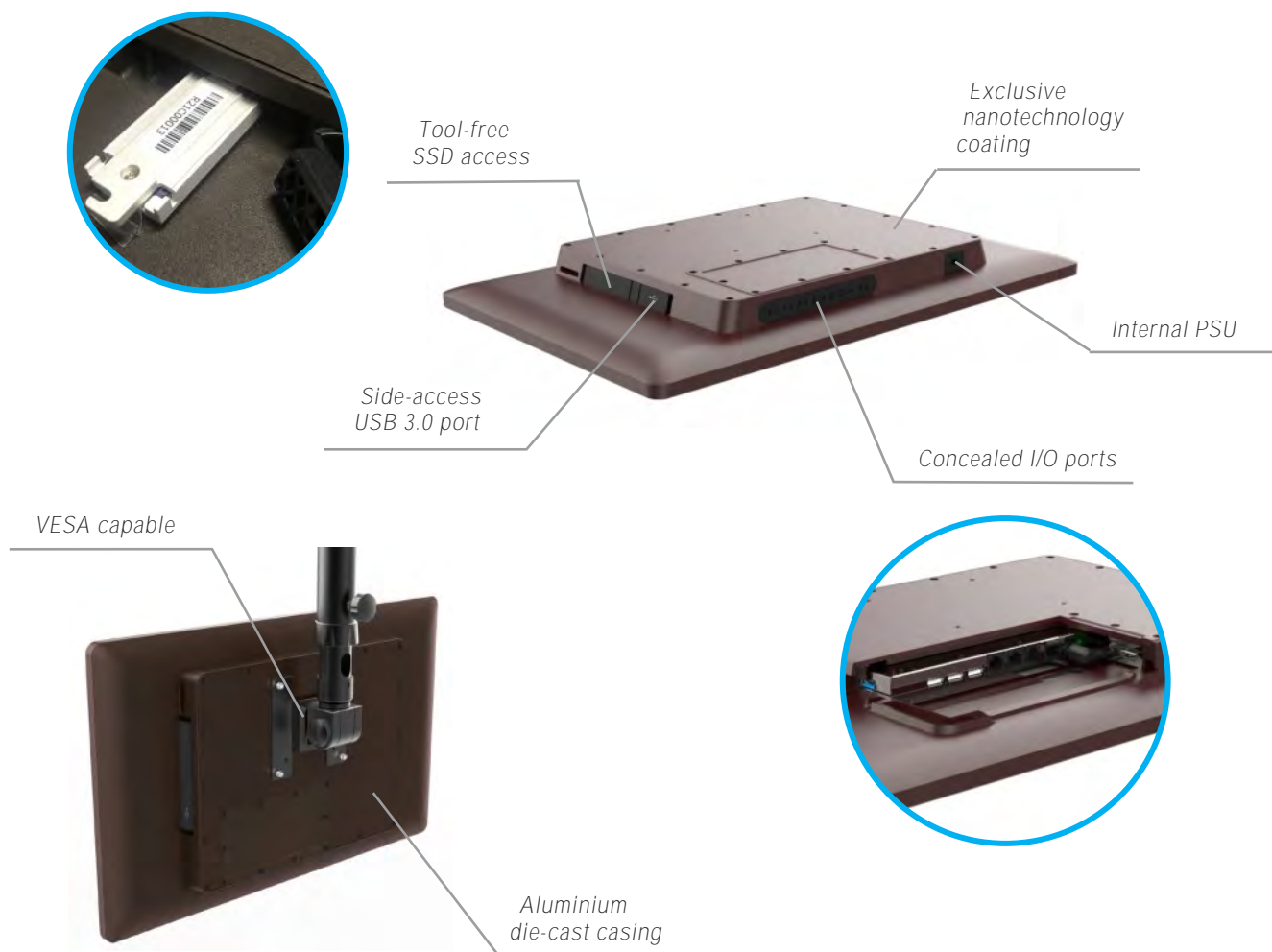
Dimension: **389 (W) x 96 (D) x 334 (H) mm (15")**  
 Weight: 8.5 kg  
 Dimension: **446 (W) x 118 (D) x 388 (H) mm (17")**  
 Weight: 9 kg

Serial Ports	USB Ports	Video Port	LAN Port	Speakers	3.5 mm Audio Port	DK Port
3 x RJ50	3 x USB 3.0 2 x USB 2.0	1 x HDMI	1 x RJ45	2 x 2 W	1 x Combined	1 x RJ12

MODEL	ITEM CODE	PRODUCT SPECIFICATION	LIST EX GST
KDS 1200	KDS1200G	<b>15" TFT LED, safety glass non-touch screen</b>	\$1900
	KDS1200T	<b>15" TFT LED, Senor 5-wire resistive touch screen</b>	\$2000
	KDS1200PCT	<b>15" TFT LED, projected capacitive touch screen</b>	\$2050
		1024 x 768 resolution, 350 cd/m <sup>2</sup> brightness Intel Quad Core Celeron J6412 2.0 GHz up to 2.6 GHz 8 GB DDR4 RAM, removable M.2 NVMe 2280 SSD	
KDS 1270	KDS1270T	<b>17" TFT LED, Senor 5 wire resistive touch screen</b> 1280 x 1024 resolution, 350 cd/m <sup>2</sup> brightness Intel Quad Core Celeron J6412 2.0 GHz up to 2.6 GHz 8 GB DDR4 RAM, removable M.2 NVMe 2280 SSD	\$2300

# All-in-one KDS kitchen display system

specially designed to meet the demands of harsh environments



\*Pole / bracket is not included

Dimension: 519 (W) x 46 (D) x 322 (H) mm  
Weight: 8.0 kg

Serial Ports	USB Ports	Video Port	LAN Port	Speakers	DK Port
2 x RJ50	1 x USB 3.0 (Side) 3 x USB 2.0 (Back)	1 x HDMI	1 x RJ45	2 x 2 W	1 x RJ12

MODEL	ITEM CODE	PRODUCT SPECIFICATION	LIST EX GST
KDS J64	KDSJ64XPCT	<b>21.5" TFT LED</b> PCT touch screen, whole unit IP66 certified 1920 x 1080 resolution, 300 cd/m <sup>2</sup> brightness Intel Quad Core Celeron J6412 2.0 GHz up to 2.6 GHz 8 GB DDR4 RAM, removable M.2 NVMe 2280 SSD	\$2700
KDS T321	KDST321XPCT	<b>21.5" TFT LED</b> PCT touch screen, whole unit IP66 certified 1920 x 1080 resolution, 300 cd/m <sup>2</sup> brightness Intel Hexa Core i3-1215U 1.2 GHz Turbo Boost up to 4.4 GHz 8 GB DDR4 RAM, removable M.2 NVMe 2280 SSD	\$3200

## OPTIONS & UPGRADES - KDS

### ACCESSORIES & UPGRADE OPTIONS

MODEL	ITEM CODE	PRODUCT SPECIFICATION	LIST EX GST
Wi-Fi Module	MK-BKISAWF00	Integrated 802.11 b/g/n/ac 2T2R wireless LAN + BT 5.0 (for KDS1200/1270)	\$130
	S-WFFFBK02200	Integrated 802.11 b/g/n/ac 2T2R wireless LAN + BT 5.0 (for KDS J621/T321)	\$160
MSR Module	V-GCR213UUB00	Dual head, dual directional, triple track, USB interface (for KDS J621/T321)	\$290
SSD Upgrade	SSDUPGRADE	From 120 GB to 240 GB	\$150
		From 120 GB to 480 GB	\$300
		From 120 GB to 960 GB	\$600
RAM Upgrade	RAMUPGRADE	From 8 GB to 16 GB	\$150

### OPERATING SYSTEM OPTIONS

MODEL	ITEM CODE	PRODUCT SPECIFICATION	LIST EX GST
Windows 10 IoT 2021	MUU-00027	Windows 10 IoT Enterprise 2021 Entry (for 1200/J621) (pre-installed with Senor drivers) 64 bit	\$160
Windows 10 IoT 2021	MUU-00028	Windows 10 IoT Enterprise 2021 Value (for T321) (pre-installed with Senor drivers) 64 bit	\$240
Windows 11 IoT	FZM-00025	Windows 11 IoT Enterprise OLC Entry (for 1200/J621) (pre-installed with Senor drivers) 64 bit	\$160
Windows 11 IoT	FZP-00025	Windows 11 IoT Enterprise OLC Value (for T321) (pre-installed with Senor drivers) 64 bit	\$240
Windows 11 Pro	WIN11PRO	Windows 11 Professional OEM (pre-installed with Senor drivers) 64 bit	\$400

# Peta POS



## FEATURES

- Full flat screen design
- Projected capacitive multi-touch screen
- Fan-less & Vent-less
- IP55 rated on whole unit
- Windows 11 (J621) or Android 11 (A521)
- VESA mount capable
- **21.5" TFT LED backlight LCD**
- Full HD resolution 1920 x 1080
- Intel Quad Core Celeron J6412 or ARM Quad Core Cortex-A55
- DDR4 4GB RAM 32 GB eMMC (A521)
- **Removable 2.5" SATA SSD (J621)**

## All-in-one Peta POS point of sale solutions



VESA mount capable



**21.5" Full HD**  
PCT touch screen



Removable SSD

Concealed I/O  
cable cover



0-90° flexible  
tilting base (optional)

Dimensions: 518 (W) x 219 (D) x 352 (H) mm  
Weight: 6.5 kg

Serial Ports	USB Ports	Video Port	LAN Port	Speaker	Bluetooth	Wireless LAN
1 x RJ50 (J621)	2 x USB 2.0 2 x USB 3.0	1 x HDMI (A521)	1 x RJ45	2 x 2 W	4.2 (A521)	802.11 b/g/n (A521)

MODEL	ITEM CODE	PRODUCT SPECIFICATION	LIST EX GST
Peta POS A521	PETAA521	<b>21.5" TFT LCD, projected capacitive touch Screen</b> ARM Quad Core Cortex-A55 (RK3568) up to 2.0 GHz 4 GB DDR4 RAM, 32 GB eMMC, Android 11 with Google Play	\$1600
Peta POS J621	PETAJ621	<b>21.5" TFT LCD, projected capacitive touch Screen</b> Intel Quad Core Celeron J6412 2.0 GHz up to 2.6 GHz <b>8 GB DDR4 RAM, removable SATA 2.5" SSD</b>	\$1900

## ACCESSORIES & UPGRADE OPTIONS

Heavy duty base	PETABSE	0-90° flexible tilting angle	\$160
SSD Upgrade	SSDUPGRADE	From 120 GB to 240 GB (for J621)	\$150
RAM Upgrade	RAMUPGRADE	From 8 GB to 16 GB (for J621)	\$150
Windows 10 IoT 2021	MUU-00027	Windows 10 IoT Enterprise 2021 Entry (pre-installed with Senor drivers) 64 bit	\$160
Windows 11 IoT	FZM-00025	Windows 11 IoT Enterprise OLC Entry (pre-installed with Senor drivers) 64 bit	\$160
Windows 11 Pro	WIN11PRO	Windows 11 Professional OEM (pre-installed with Senor drivers) 64 bit	\$400

# Exa POS

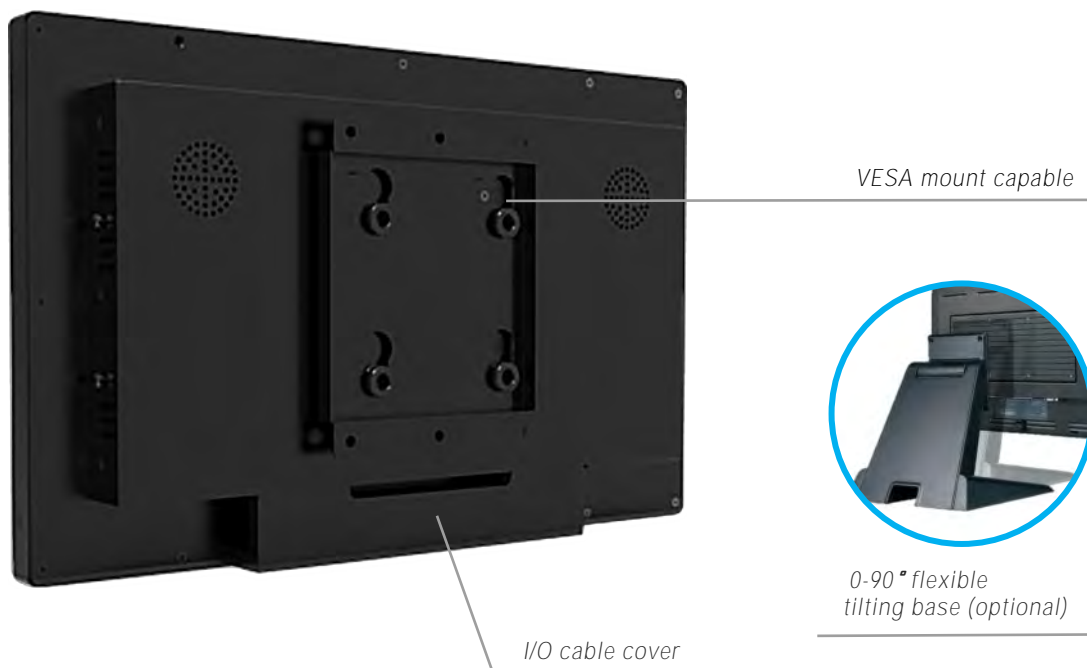


## FEATURES

- Full flat screen design
- Projected capacitive multi-touch screen
- Fan-less & Vent-less
- IP55 rated on whole unit
- Windows 11 (J621) or Android 11 (A521)
- VESA mount capable
- **21.5" TFT LED backlight LCD**
- Full HD resolution 1920 x 1080
- Intel Quad Core Celeron J6412 or ARM Quad Core Cortex-A55
- DDR4 4GB RAM 32 GB eMMC (A521)
- **Removable 2.5" SATA SSD (J621)**



## All-in-one Exa POS point of sale solutions



Dimensions: 518 (W) x 219 (D) x 352 (H) mm  
Weight: 7.8 kg

Serial Ports	USB Ports	Video Port	LAN Port	Speaker	Bluetooth	Wireless LAN
1 x RJ50 (J621)	2 x USB 2.0 2 x USB 3.0	1 x HDMI (A521)	1 x RJ45	2 x 2 W	4.2 (A521)	802.11 b/g/n (A521)

MODEL	ITEM CODE	PRODUCT SPECIFICATION	LIST EX GST
Exa POS J627	EXAJ627	<b>27" TFT LCD, projected capacitive touch Screen</b> Intel Quad Core Celeron J6412 2.0 GHz up to 2.6 GHz <b>8 GB DDR4 RAM, SATA 2.5" SSD</b>	\$2700
Exa POS A527	EXAA527	<b>27" TFT LCD, projected capacitive touch Screen</b> ARM Quad Core Cortex-A55 (RK3568) up to 2.0 GHz 4 GB DDR4 RAM, 32 GB eMMC, Android 11 with Google Play	\$2400

### ACCESSORIES & UPGRADE OPTIONS

Heavy duty base	PETABSE	0-90° flexible tilting angle	\$160
SSD Upgrade	SSDUPGRADE	From 120 GB to 240 GB (for J627)	\$150
RAM Upgrade	RAMUPGRADE	From 8 GB to 16 GB (for J627)	\$150
Windows 10 IoT 2021	MUU-00027	Windows 10 IoT Enterprise 2021 Entry (pre-installed with Senor drivers) 64 bit	\$160
Windows 11 IoT	FZM-00025	Windows 11 IoT Enterprise OLC Entry (pre-installed with Senor drivers) 64 bit	\$160
Windows 11 Pro	WIN11PRO	Windows 11 Professional OEM (pre-installed with Senor drivers) 64 bit	\$400

# Touch Monitor & Customer Display



**21.5" KDM**  
Touch Monitor



**21.5" PetaMON**  
Touch Monitor



**15" cSMON**  
Touch Monitor



**10.4" NanoMON**  
USB Customer Display

## cSMON touch screen monitor

Specially designed for retail and hospitality industries



\*Pole / bracket is not included

Dimension: 356 (W) x 303 (H) x 208 (D) mm  
Weight: 5.0 kg

## FEATURES

- **15" PCT multi-touch** screen
- Metal sheet chassis
- Cable management system
- VESA mount capability
- Integrated MSR (optional)
- **15" TFT LED backlight screen**
- Resolution 1024 x 768 pixels
- 300 cd/m<sup>2</sup> brightness
- 15-85° tilting angle
- **10" customer display (optional)**

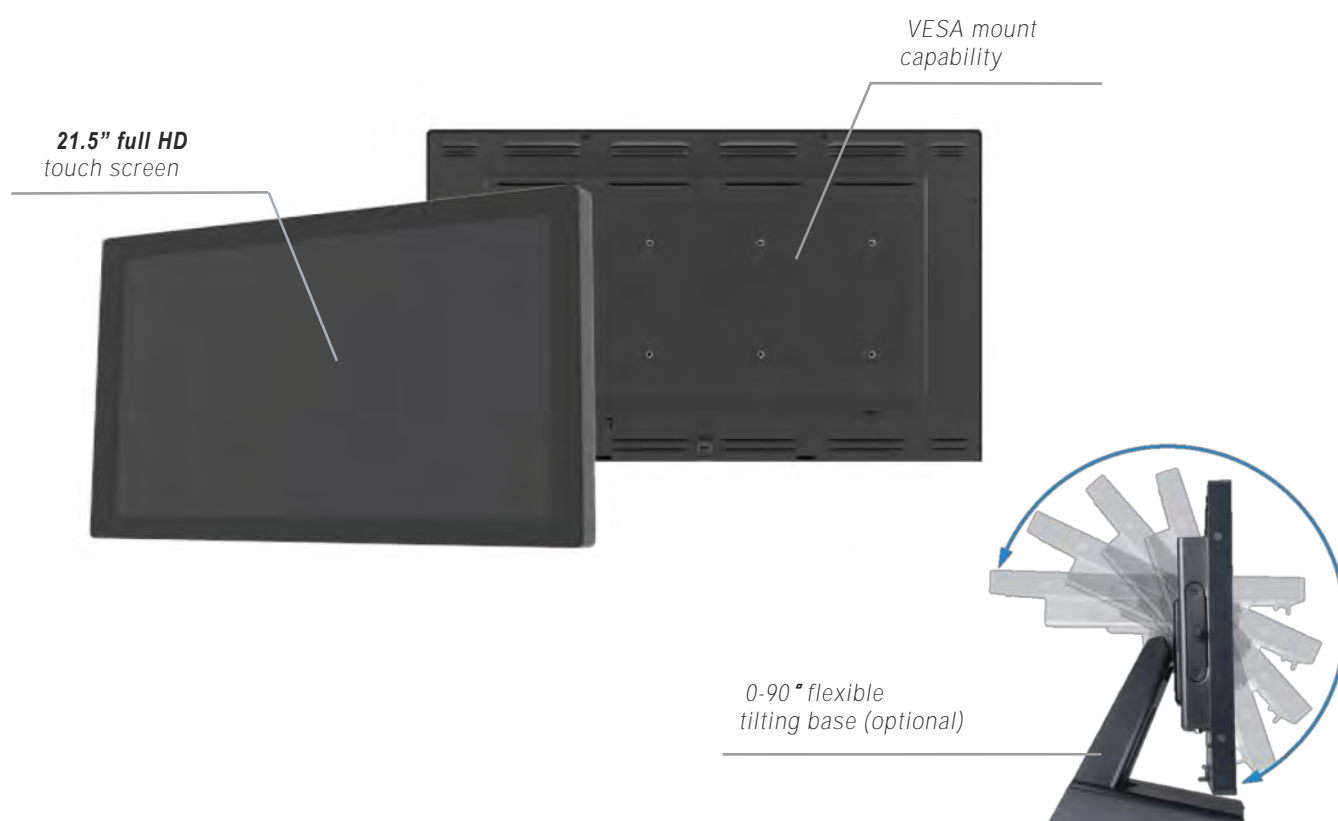
MODEL	ITEM CODE	PRODUCT SPECIFICATION	LIST EX GST
cSMON 15	cSMON15T	<b>15" TFT LCD, PCT multi-touch</b> screen, 6H hardness 1024 x 768 resolution, 300 cd/m <sup>2</sup> brightness VESA mount 75 mm x 75 mm (3 mm holes)	\$900

## ACCESSORIES & UPGRADE OPTIONS

MODEL	ITEM CODE	PRODUCT SPECIFICATION	LIST EX GST
MSR Card Reader	CSMONMSR	Integrated magnetic stripe card reader	\$190
VFD Customer Display	CSMONVFD	Integrated 2-line VFD customer display	\$230
<b>10.4" Customer Display</b>	NANO10GUV	<b>10.4" glass customer display, resolution 800 x 600</b> (USB interface, no PSU required)	\$550
12 Months Additional Warranty	LTD002	12 months additional warranty (total 24 months)	\$100
24 Months Additional Warranty	LTD036	24 months additional warranty (total 36 months)	\$200

## PetaMON touch screen monitor

Specially designed for retail and hospitality industries



Dimension: 518 (W) x 46 (D) x 314 (H) mm  
Weight: 5.6 kg (without base)

## FEATURES

- Bezel-less screen design
- Projected capacitive multi-touch screen
- Fanless heat-dissipating metal chassis
- Commercial grade LCD panel able to be operated in portrait mode (mini kiosk)
- **21.5" multi-touch screen**
- Resolution 1920 x 1080 pixels
- 225 cd/m<sup>2</sup> brightness
- VESA mount capable

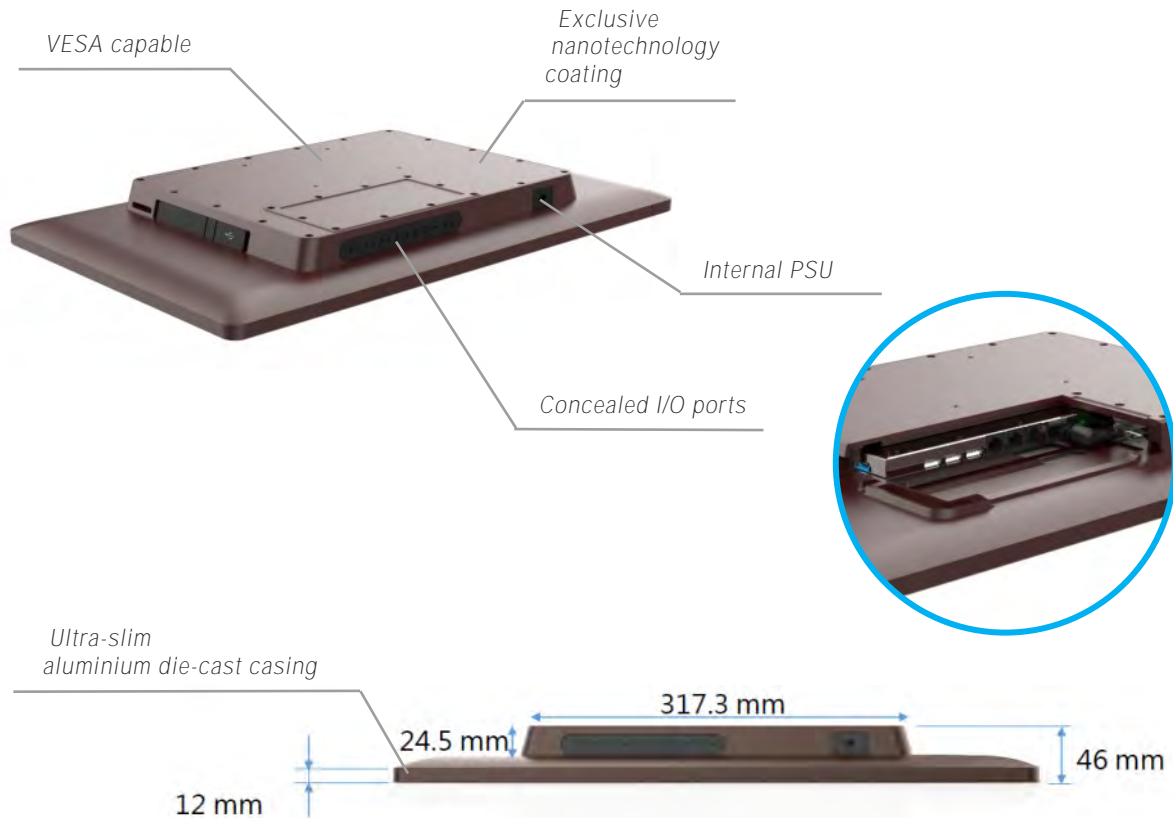
MODEL	ITEM CODE	PRODUCT SPECIFICATION	LIST EX GST
Peta MON	PETAMON21T	<b>21.5" TFT LCD, projected capacitive touch screen</b> Touch screen only, without base, without cable cover	\$1300

### ACCESSORIES & UPGRADE OPTIONS

Heavy duty base	PETABSE	0-90° flexible tilting angle	\$160
12 Months Additional Warranty	LTD002	12 months additional warranty (total 24 months)	\$100
24 Months Additional Warranty	LTD036	24 months additional warranty (total 36 months)	\$200

# KDM touch screen monitor

Specially designed to meet the demands of harsh environments



Dimension: 519 (W) x 46 (D) x 322 (H) mm  
 Weight: 8.0 kg

## FEATURES

- Bezel-less PCT touch screen
- Ultra-slim aluminium die-cast casing
- **IP66 rated** - water & dust protected
- Concealed I/O ports and power supply
- Exclusive nanotechnology coating
- **21.5" multi-touch** screen
- Resolution 1920 x 1080 pixels
- 300 cd/m<sup>2</sup> brightness
- Supports HDMI, Display Port & VGA
- VESA mount capability

MODEL	ITEM CODE	PRODUCT SPECIFICATION	LIST EX GST
KDM 21T	KDM21T	<b>21.5" TFT LED</b> PCT touch screen, whole unit IP66 certified 1920 x 1080 resolution, 300 cd/m <sup>2</sup> brightness 3 years warranty	\$1600

## NanoMON display monitor

Specially designed for retail and hospitality industries



Dimension: 249 (W) x 29 (D) x 205 (H) mm  
Weight: 1.0 kg

## FEATURES

- Available in USB or VGA + HDMI interface
- 5H degree hardness glass screen
- VESA mount capability
- Slim design
- **8"/10.4"/15" TFT LED backlight screen**
- Adjustable brightness
- 1 year warranty

MODEL	ITEM CODE	PRODUCT SPECIFICATION	LIST EX GST
Nano 8 USB	NANO8GUV	<b>8" TFT LED backlight LCD, Resolution 800 x 600 pixels</b> 150 nit brightness, USB interface	\$440
Nano 10 USB	NANO10GUV	<b>10.4" TFT LED backlight LCD, Resolution 800 x 600 pixels</b> 300 nit brightness, USB interface	\$560
Nano 15 VGA	NANO15GHV	<b>15" TFT LED backlight LCD, Resolution 1024 X 768 pixels</b> 300 nit brightness, VGA & HDMI interface	\$790

# Point-Of-Service Solutions



*x5 Mini Kiosk*



*Miki Stand*



*Senki Stand*



*Gemini 21 Kiosk*

## FEATURES

- Modularised design for easy maintenance
- Integrated thermal printer (optional)
- Integrated 2D barcode scanner (optional)
- Designed to integrate with most EFTPOS terminals
- Freestanding, desktop or wall mount type to suit most applications
- Bolt to the floor or moveable with castors

# x5 Mini KIOSK SOLUTIONS

Specially designed for compact spaces



Dimensions: 255 (W) x 220 (D) x 495 (H) mm  
 Weight: 4.5 kg (without printer)

Serial Ports	USB Ports	Video Port	LAN Port	Speakers	Audio Port	DK Port
2 x RJ50	5 x USB 2.0 1 x USB 3.0	N/A	1 x RJ45	2 x 2 W	N/A	1 x RJ12 (12/24 V)

MODEL	ITEM CODE	PRODUCT SPECIFICATION	LIST ex GST
x5S J616K (BY ORDER)	X5S J616K	<b>15.6" PCT touch, 1920 x 1080 resolution, 300 cd/m<sup>2</sup> brightness</b> Intel Quad Core Celeron J6412 2.0 GHz up to 2.60 GHz 8 GB DDR4 RAM, removable NVMe M.2 2280 SSD	\$3190
x5S T316K (BY ORDER)	X5S T316K	<b>15.6" PCT touch, 1920 x 1080 resolution, 300 cd/m<sup>2</sup> brightness</b> Intel Quad Core Celeron J6412 2.0 GHz up to 2.60 GHz 8 GB DDR4 RAM, removable NVMe M.2 2280 SSD	\$3650



## OPTIONS & UPGRADES - x5 Mini

### ACCESSORIES

MODEL	ITEM CODE	PRODUCT SPECIFICATION	LIST EX GST
3T MSR Reader	Z-XSCR-M4M0A00	3-track MSR (1+2+3) card reader	\$200
RFID Reader	Z-XSCR-F0R0A00A	13.56 MHz, USB Virtual COM, read/write, operator side	\$290
	Z-XSCR-F0R3A00A	125 kHz, USB read only, operator side	\$290
Wireless Kit Set	S-WFFFBK02200	Internal Wi-Fi 802.11 a/b/g/n/ac 2T2R + BT 5.0	\$190
Integrated 2D Barcode Reader	Z-XSCR-M4S1A00A	Integrated 2D barcode scanner Kit, facing down (BY ORDER)	\$450
Thermal printer	TP-228USE	80 mm thermal paper, USB + Serial + Ethernet	\$350
Freestanding pedestal	*SPECIAL ORDER*	Dimensions: 215 (W) x 450 (D) x 806 (H) mm Weight: 6.5 kg	\$1100
Lockable castors	KIOSK-CASTORS	4 x swivel, lockable rubber castors 50/75/100 mm diameters	\$190

### SSD & RAM UPGRADE OPTIONS

MODEL	ITEM CODE	PRODUCT SPECIFICATION	LIST EX GST
SSD Upgrade	SSDUPGRADE	From 120 GB to 240 GB	\$150
		From 120 GB to 480 GB	\$300
		From 120 GB to 960 GB	\$600
RAM Upgrade	RAMUPGRADE	From 4 GB to 8 GB	\$150
		From 4 GB to 16 GB	\$300

### OPERATING SYSTEM OPTIONS

MODEL	ITEM CODE	PRODUCT SPECIFICATION	LIST EX GST
Windows 10 IoT 2021	MUU-00027	Windows 10 IoT Enterprise 2021 Entry (for J617/J621) (pre-installed with Senor drivers) 64 bit	\$160
Windows 10 IoT 2021	MUU-00028	Windows 10 IoT Enterprise 2021 Value (for T317/T321) (pre-installed with Senor drivers) 64 bit	\$240
Windows 11 IoT	FZM-00025	Windows 11 IoT Enterprise OLC Entry (for J617/J621) (pre-installed with Senor drivers) 64 bit	\$160
Windows 11 IoT	FZP-00025	Windows 11 IoT Enterprise OLC Value (for J617/J621) (pre-installed with Senor drivers) 64 bit	\$240
Windows 11 Pro	WIN11PRO	Windows 11 Professional OEM (pre-installed with Senor drivers) 64 bit	\$400

## Miki KIOSK STAND



MODEL	ITEM CODE	PRODUCT SPECIFICATION	LIST EX GST
Miki Countertop Stand	MIKI-DT	310 (W) x 310 (D) x 537 (H) mm, 9.9 kg	\$470
Miki Freestanding Stand	MIKI-FS	540 (W) x 370 (D) x 1365 (H) mm, 18.5 kg	\$560
Miki EFTPOS Holder	MIKI-EFTPOS	EFTPOS terminal mount, with Spacepole multigrip	\$110
Miki iPad Pro Casing	MIKI-IPAD129C	<b>Enclosure/Case for iPad 12.9", 75 x 75 mm VESA</b>	\$340
Miki Printer Cover	MIKI-PC	For Senor TP-228 printer only	\$30
Printer Module	TP-228USE	80 mm thermal paper, 260 mm/sec, auto-cutter with dedicated mounting bracket	\$350
2D Barcode Module	S-FM2DV2	CMOS image reader, mobile screen supported with dedicated mounting bracket	\$300
Lockable Castors	KIOSK-CASTORS	4 x swivel, lockable rubber castors 50/75/100 mm diameters	\$190

## Senki KIOSK STAND



MODEL	ITEM CODE	PRODUCT SPECIFICATION	LIST EX GST
Senki Countertop Stand	SENKI-DT	500 (W) x 350 (D) x 779 (H) mm, 29 kg	\$1400
Senki Freestanding Stand	SENKI-FS	555 (W) x 375 (D) x 1394 (H) mm, 45 kg	\$1590
Senki EFTPOS Holder	SENKI-EFTPOS	EFTPOS terminal mount, with Spacepole multigrip	\$190
Printer Module	TP-228USE	80 mm thermal paper, 260 mm/sec, auto-cutter with dedicated mounting bracket	\$350
2D Barcode Module	S-MM2D	CMOS image reader, mobile screen supported with dedicated mounting bracket	\$300
MSR Module	V-GCR213UUB00	Dual head, dual directional, triple track, USB interface	\$290
Lockable Castors	KIOSK-CASTORS	4 x swivel, lockable rubber castors 50/75/100 mm diameters	\$190

## Sureki 21 KIOSK SOLUTIONS



Dimensions: 500 (W) x 315 (D) x 495 (H) mm  
Weight: 15 kg (without peripherals)

MODEL	ITEM CODE	PRODUCT SPECIFICATION	LIST EX GST
Sureki 21 touch Countertop Kiosk	SUREKI-PETAMON	<b>21.5" TFT LCD, projected capacitive touch screen</b> 1920 x 1080 resolution, 225 cd/m <sup>2</sup> brightness (touch screen only)	\$2050
Sureki J621 Countertop Kiosk	SUREKI-PETAJ621	Intel Quad Core Celeron J6412 2.0 GHz up to 2.6 GHz <b>8 GB DDR4 RAM, removable SATA 2.5" SSD</b>	\$2700
Sureki T321 Countertop Kiosk	SUREKI-KDST321	Intel Hexa Core i3-1215U 1.2 GHz up to 4.4 GHz 8 GB DDR4 RAM, removable M.2 NVMe 2280 SSD	\$4000

### INTEGRATED MODULE & OPTIONS

MODEL	ITEM CODE	PRODUCT SPECIFICATION	LIST EX GST
2D Barcode Reader Module	S-MM2D	32 bit ARM MCU + DSP, 300 scans/sec 1D/2D compatible, omni-directional scanning	\$300
Printer Module	TP-228USE	80 mm thermal paper, 260 mm/sec, auto-cutter	\$350
MSR Module	V-GCR213UUB00	Dual head, dual directional, triple track, USB interface	\$270
Universal EFTPOS holder	SUREKI-EFTPOS	Suits most EFTPOS without charging dock	\$240
Windows 10 IoT 2021	MUU-00027	Windows 10 IoT Enterprise 2021 Entry (for J621) (pre-installed with Senor drivers) 64 bit	\$160
Windows 10 IoT 2021	MUU-00028	Windows 10 IoT Enterprise 2021 Value (for T321) (pre-installed with Senor drivers) 64 bit	\$240
Windows 11 Pro	WIN11PRO	Windows 11 Professional OEM (pre-installed with Senor drivers) 64 bit	\$400

# Gemini 21 KIOSK SOLUTIONS



\*NUC is not included

MODEL	ITEM CODE	PRODUCT SPECIFICATION	LIST EX GST
Gemini 21 Freestanding Kiosk	GEMINI21FS	<b>21.5" TFT LCD, projected capacitive touch screen</b> 1920 x 1080 resolution, 225 cd/m <sup>2</sup> brightness	\$4000
Gemini 21 Countertop Kiosk	GEMINI21DT	Dimensions: 500 (W) x 500 (D) x 1710 (H) mm Weight: 60 kg (Gemini 21 FS)	\$3700
Gemini 21 Wall Mount Kiosk	GEMINI21WM	Dimensions: 460 (W) x 400 (D) x 1015 (H) mm Weight: 48 kg (Gemini 21 DT)	\$3850
		Dimensions: 400 (W) x 166 (D) x 1000 (H) mm Weight: 34 kg (Gemini 21 WM)	

## INTEGRATED MODULE & OPTIONS

MODEL	ITEM CODE	PRODUCT SPECIFICATION	LIST EX GST
Upgrade to J6412 AIO	GEMINI-KDSJ64	Intel Quad Core Celeron J6412 2.0 GHz up to 2.6 GHz 8 GB DDR4 RAM, removable M.2 NVMe 2280 SSD	\$1100
Upgrade to i3 AIO	GEMINI-KDST321	Intel Hexa Core i3-1215U 1.2 GHz up to 4.4 GHz 8 GB DDR4 RAM, removable M.2 NVMe 2280 SSD	\$1600
2D Barcode Module	S-MM2D	32 bit ARM MCU + DSP, 300 scans/sec 1D/2D compatible, omni-directional scanning	\$300
Printer Module	TP-228USE	80 mm thermal paper, 260 mm/sec, auto-cutter	\$350
MSR Module	V-GCR213UUB00	Dual head, dual directional, triple track, USB interface	\$270
EFTPOS holder Module	Gemini-EFTPOS	Suits most EFTPOS without charging dock	\$240

# POS Peripherals



*Printers*

---



*drawers*

---



*Barcode scanners*

---



*Tablet Stand*

---



*Mounting pole  
& brackets*

---

## THERMAL POS PRINTERS

High printing speed, reliable and silent



### TP-100

- Direct thermal printing
- 80 mm x 80 mm thermal paper roll
- Fast printing speed 250 mm/sec
- Auto paper cutter with tear bar
- Built-in print alarm buzzer
- Support logo and graphic printing
- Support OPOS driver
- Support Virtual COM (Reckon compatible)
- Dimensions: 145 (W) x 204 (D) x 146 (H) mm



#### Applications:

- Receipt
- Kitchen
- Coupon
- Barcode
- Ticket
- Lottery System

#### Supported Printing Languages:

- English
- Traditional Chinese
- Simplified Chinese
- Korean
- Japanese



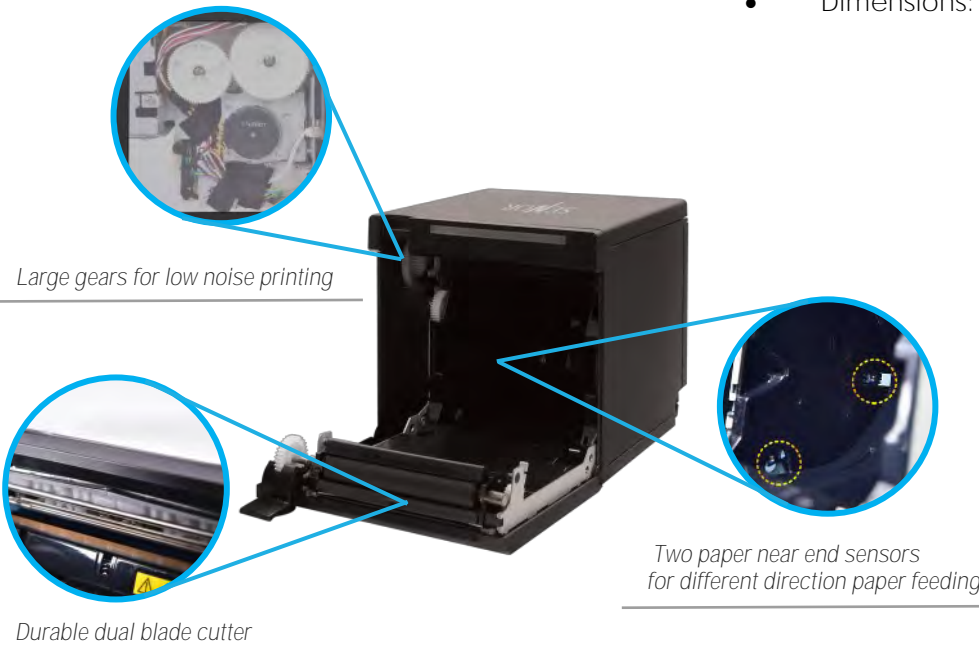
MODEL	ITEM CODE	PRODUCT SPECIFICATION	LIST EX GST
TP-100USE	TP-100USE	80 mm thermal paper, 250 mm/sec, auto-cutter, metal chassis, USB + Serial + Ethernet interface	\$320
TP-100USW	TP-100USW	80 mm thermal paper, 250 mm/sec, auto-cutter, metal chassis, USB + Serial + Wi-Fi interface	\$430

# THERMAL POS PRINTERS

High printing speed, reliable and silent

## TP-228

- Direct thermal printing
- 80 mm x 80 mm thermal paper roll
- Fast printing speed 260 mm/sec
- Dual blade cutter with tear bar
- Built-in print alarm buzzer
- 4 MB RAM, 4 MB Flash ROM
- Support logo and graphic printing
- Support 2D Barcode printing: PDF417, QR-Code
- Support Windows, OPOS, JPOS, Linux driver
- Support Android, iOS SDK
- Support Traditional/Simplified Chinese, Korean, Japanese
- 2 years RTB warranty
- Dimensions: 135 (W) x 132 (D) x 132 (H) mm



USB + Serial + Ethernet + DK port  
Optional Bluetooth & Wi-Fi



USB port + Bluetooth + DK port

MODEL	ITEM CODE	PRODUCT SPECIFICATION	LIST EX GST
TP-228USE	TP-228USE	80 mm thermal paper, 260 mm/sec, auto-cutter, metal chassis, dual blade cutter, front/upward printing USB + Serial + Ethernet interface	\$320
TP-228USEBW	TP-228USEBW	Direct thermal, dual blade cutter, front/upward printing USB + Serial + Ethernet + Bluetooth + Wi-Fi interface	\$400



# THERMAL POS PRINTERS

Designed for high-traffic retail/hospitality

Auto-cutter with tear bar



Serial + USB + DK port



Ethernet + USB + DK port



Printer Cover (optional)

## TP-250III

- Direct thermal printing
- 80 mm x 80 mm thermal paper roll
- Fast printing speed 250 mm/sec
- Auto paper cutter with tear bar
- Built-in print alarm buzzer
- Wall mount function available
- 8 MB RAM, 4 MB Flash ROM
- Support logo and graphic printing
- Two-colour printing (on special paper)
- Support 2D Barcode printing: PDF417, QR-Code
- Support OPOS driver, JPOS driver, Linux & Mac
- Support API/SDK tool
- 3 years RTB warranty
- Dimensions: 145 (W) x 204 (D) x 146 (H) mm

### Applications:

- Receipt
- Kitchen
- Coupon
- Barcode
- Ticket
- Lottery System

### Supported Printing Languages:

- English
- Traditional Chinese
- Simplified Chinese
- Korean
- Japanese

MODEL	ITEM CODE	PRODUCT SPECIFICATION	LIST EX GST
TP-250III Ethernet	P-250IIIEBB1N	Direct thermal, auto-cutter, USB + Ethernet interface	\$590
TP-250III Serial	P-250IIISBB2N	Direct thermal, auto-cutter, USB + Serial interface	\$490
TP-250III Parallel	P-250IIIPBB3N	Direct thermal, auto-cutter, USB + Parallel interface	\$490
TP-250III USB	P-250IIIUBB4N	Direct thermal, auto-cutter, USB interface Only	\$450
TP-250III SPC	GTP-250SCV	TP-250III printer splash proof cover	\$60
TP-250III WMB	GTP-25005	TP-250III wall mount bracket	\$60

## DOT MATRIX POS PRINTER

Specially recommended for environments such as kitchens



Supports continuous printing



### DP-330

- Serial impact printing
- Fast printing speed 4.7 LPS (Lines Per Second)
- Auto paper cutter with tear bar
- Built-in power supply
- Built-in print alarm buzzer
- Wall mount function available
- 128 KB NV memory, 8 KB receive buffer
- 95 alpha numeric character set
- Support Windows, OPOS, JPOS, Linux driver
- Support Windows, OPOS, JPOS & Linux SDK
- ERC-30/34/38 black/red ribbon
- Paper roll spec:  
width  $76 \pm 0.5$  mm, diameter 83 mm  
Total thickness 0.05 ~ 0.14 mm  
\* Triple ply paper may be used but is not recommended
- Dimensions: 160 (W) x 245 (D) x 154 (H) mm

#### Applications:

- Receipt
- Kitchen
- Ticket
- Multiple copies
- Retail

#### Supported Printing Languages:

- English
- Traditional Chinese
- Simplified Chinese
- Korean
- Japanese

MODEL	ITEM CODE	PRODUCT SPECIFICATION	LIST EX GST
DP-330	DP-330USE	Serial impact, auto-cutter with tear bar, metal chassis USB + Serial + Ethernet interface, internal power supply	\$520
GRC-88	GRC-88B/BR	Epson ERC 30/34/38 ribbon compatible, 5 metre length	\$8

## DRAWERS

Heavy Duty, Reliable and Stable

### CC-4141 Heavy Duty



- Heavy duty drawer
- Brushed stainless steel front
- 5 notes/8 coins compartments
- Metal note gripper
- Removable and adjustable coin section
- 2 media slots (for cheques or credit slips)
- 3 positions key lock
- Emergency opening
- 12 V/24 V solenoid with RJ12 connector
- Nylon rollers
- Dimensions: 410 (W) x 410 (D) x 100 (H) mm

### CC-4617 Flip Top



- Heavy duty drawer
- Brushed stainless steel top
- 5+1 notes/8 coins (vertical note compartments)
- Removable and adjustable coin section
- 1 media slot
- 3 positions key lock
- 12 V/24 V solenoid with RJ12 connector
- Standard with lockable lid
- Dimensions: 460 (W) x 170 (D) x 100 (H) mm

MODEL	ITEM CODE	PRODUCT SPECIFICATION	LIST EX GST
CC-4141 24V	CC-4141V24	Stainless steel front, 5 notes/8 coins, RJ12, 2 media slots, metal note gripper	\$130
CC-4141 12V	CC-4141V12		
CC-4617 24V	CC-4617V24	Stainless steel top, 5+1 notes/8 coins, RJ12, 1 media slot, vertical note compartments	\$180
CC-4617 12V	CC-4617V12		

### ACCESSORIES OPTIONS

MODEL	ITEM CODE	PRODUCT SPECIFICATION	LIST EX GST
CC-4141 Insert Tray	CD4141INS	Spare insert (black) for CC-4141	\$60
CC-4617 Insert Tray	C4617INS	Spare insert (black) for CC-4617	\$60
CC-4617 Insert Lid	CC4617LID	Lockable insert lid for CC-4617	\$60

## HANDHELD BARCODE SCANNER

High scanning speed and accuracy



### AS-HHU10 handheld 1D barcode scanner

- Coded USB interface 1D barcode scanner
- 650 nm visible laser diode (VLD)
- Bi-directional
- Supports auto-trigger mode
- 100 ± 20 scans per second
- Designed to withstand 1.2 m drops
- Angle-adjustable stand Included
- 173 mm (L) x 63 mm (W) x 93 mm (H)



### S-HH2DV2 handheld 2D image reader

- Coded USB interface
- CMOS shutter sensor, 640\*480 resolution
- 1D/2D compatible, omni-directional scanning
- 32 bit ARM MCU + DSP, 200 scans/sec
- Auto-sensing/continuous/manual scanning
- Electronic screen friendly
- 40 mm to 150 mm scanning distance, 5 mil resolution
- Roll 360°, Pitch ± 45°, Yaw ± 45° scanning angle
- IP52 and designed to withstand 1.5 m drops
- 165 mm (L) x 68 mm (W) x 92 mm (H)



### S-BT2DV2 Bluetooth 2D image reader

- 2.4GHz wireless (via charging dock ) or Bluetooth v4.0 connection, 10 meter range (non-obstacle)
- CMOS shutter sensor, 640\*480 resolution
- 1D/2D compatible, omni-directional scanning
- 32 bit ARM MCU + DSP, 200 scans/sec
- 2 MB storage (stores 50000 scans of 14 bit 1D barcode)
- Electronic screen friendly
- 40 mm to 150 mm scanning distance, 5 mil resolution
- IP52 and designed to withstand 1.5 m drops
- USB charging dock included
- 165 mm (L) x 68 mm (W) x 91 mm (H) (without dock)

MODEL	ITEM CODE	PRODUCT SPECIFICATION	LIST EX GST
Handheld 1D Scanner	AS-HHU10	Coded USB interface, Laser scanner, 100 scans/sec angle adjustable stand	\$90
Handheld 2D Scanner	S-HH2DV2	Coded USB interface, CMOS shutter sensor, omni-directional, supports auto-scan, mobile screen	\$130
Scanner stand for S-HH2D	ST-HH2D	Angle adjustable stand for S-HH2D	\$25
Handheld BT 2D Scanner	S-BT2DV2	2.4 GHz wireless/Bluetooth connection, CMOS shutter sensor, omni-directional, up to 30,000 scans per charge	\$290

## HANDS-FREE BARCODE SCANNER

High scanning speed and accuracy



### S-FM2DV2 2D image reader

- CMOS shutter sensor, 640\*480 resolution, USB interface
- 1D/2D compatible, omni-directional scanning
- 32 bit ARM MCU + DSP, 200 scans/sec
- Auto-sensing/continuous/manual scanning
- Electronic screen friendly
- Supports Android SDK
- 40 mm to 150 mm scanning distance, 5 mil resolution
- Roll 360°, Pitch ± 65°, Yaw ± 60° scanning angle
- 26 mm (H) x 70 mm (D) x 50 mm (W)



### S-HF2DV2 hands-free 2D image reader

- CMOS sensor, 1280\*800 resolution, USB interface
- 32 bit ARM MCU + DSP, 200 scans/sec
- 1D/2D compatible, omni-directional scanning, continuous scanning
- Physical button switch to 1D only or 1D/2D compatible mode
- Electronic screen scanning supported
- 10 mm to 500 mm scanning distance, 5 mil resolution
- Roll 360°, Pitch ± 43°, Yaw ± 58° scanning angle
- 147 mm (H) x 86 mm (D) x 90 mm (W)



### S-DT2D presentation 2D image reader

- Planar CMOS sensor, 1280\*1024 resolution, USB interface
- 32 bit ARM MCU + DSP, 500 scans/sec
- 1D/2D compatible, omni-directional scanning, continuous scanning
- Physical button switch to 1D only or 1D/2D compatible mode
- Electronic screen scanning supported
- 0 mm to 500 mm scanning distance, 5 mil resolution
- Roll 360°, Pitch ± 45°, Yaw ± 45° scanning angle
- 152 mm (W) x 146 mm (H) x 76 mm (D)

MODEL	ITEM CODE	PRODUCT SPECIFICATION	LIST EX GST
Fix mount 2D scanner	S-FM2DV2	CMOS barcode reader, 32 bit ARM MCU, 200 scans/sec,	\$300
Hands-free 2D scanner	S-HF2DV2	CMOS barcode reader, 32 bit ARM MCU, 200 scans/sec,	\$265
Desktop 2D scanner	S-DT2D	CMOS barcode reader, 32 bit ARM MCU + DSP, 500 scans/s	\$400

# TABLET MOUNTING SOLUTIONS

Stylish and flexible

## FlexiPOS tablet stand



\*Optional second bracket

MODEL	ITEM CODE	PRODUCT SPECIFICATION	LIST EX GST
FlexiPOS stand	FLEXIMOUNT	1 stand + 1 bracket, available in black / silver	\$270
FlexiPOS bracket only	FLEXIBRK	Extra second bracket, available in black / silver	\$80

# VESA MOUNTING SOLUTIONS

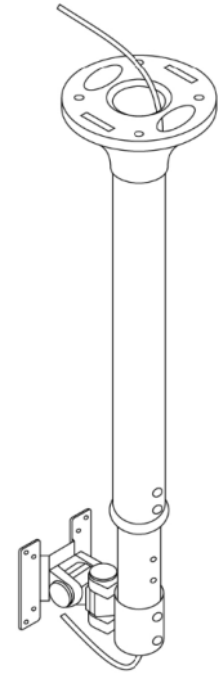
Ceiling & wall mounting kits



Height adjustable from 600 mm to 1060 mm

## 8730B Ceiling Mount

- Firm fixture onto ceilings or benchtops
- Adjustable length 660 mm up to 1060 mm (per 100 mm )
- Adjustable screen tilt & swivel
- Hold units up to 20 kg
- VESA 75 x 75 and 100 x 100 mm

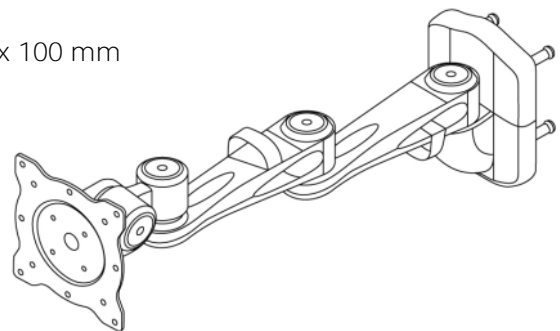


## 262BS Swing Arm

- Mount units onto the wall with a 45cm long adjustable aluminum die-cast arm
- Adjustable screen tilt & swivel
- Holds units up to 15kg
- VESA 75 x 75 and 100 x 100 mm



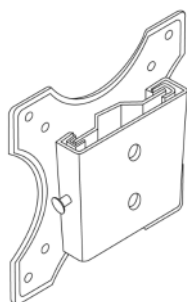
Extends from wall 450 mm



MODEL	ITEM CODE	PRODUCT SPECIFICATION	LIST EX GST
8730B Ceiling	GPU-8730B	Ceiling/Bench Top Mount, Tilt & Swivel	\$185
262BS Swing Arm	GPU-262BS	Wall Mount Swing Arm, Tilt & Swivel	\$145

## VESA MOUNTING SOLUTIONS

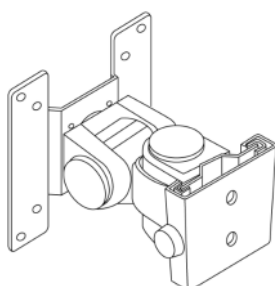
Ceiling, wall, desktop mounting kits



Distance from wall 15 mm

### 1150C Wall Mount Bracket

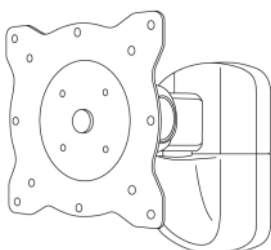
- Near flat wall mounting
- Firm fixture onto walls
- Holds units up to 12kg
- VESA 75 x 75 and 100 x 100 mm



Distance from wall 130 mm

### WM117B Wall Mount Bracket

- Deluxe wall mounting
- Adjustable screen tilt & swivel
- Firm fixture onto walls
- Holds units up to 12kg
- VESA 75 x 75 and 100 x 100 mm



Distance from wall 140 mm

### WM262 Wall Mount Bracket

- Deluxe wall mounting
- Adjustable screen tilt & swivel
- Firm fixture onto walls
- Holds units up to 12kg
- VESA 75 x 75 and 100 x 100 mm

MODEL	ITEM CODE	PRODUCT SPECIFICATION	LIST EX GST
1150C Wall Mount	GPU-1150C	Flat wall mount	\$60
WM117B Wall Mount	PU-WM117B	Wall mount bracket, tilt & swivel	\$90
WM262 Wall Mount	WM262	Wall mount bracket, tilt & swivel	\$90



## POLE MOUNTING SOLUTIONS

Benchtop mounting kits

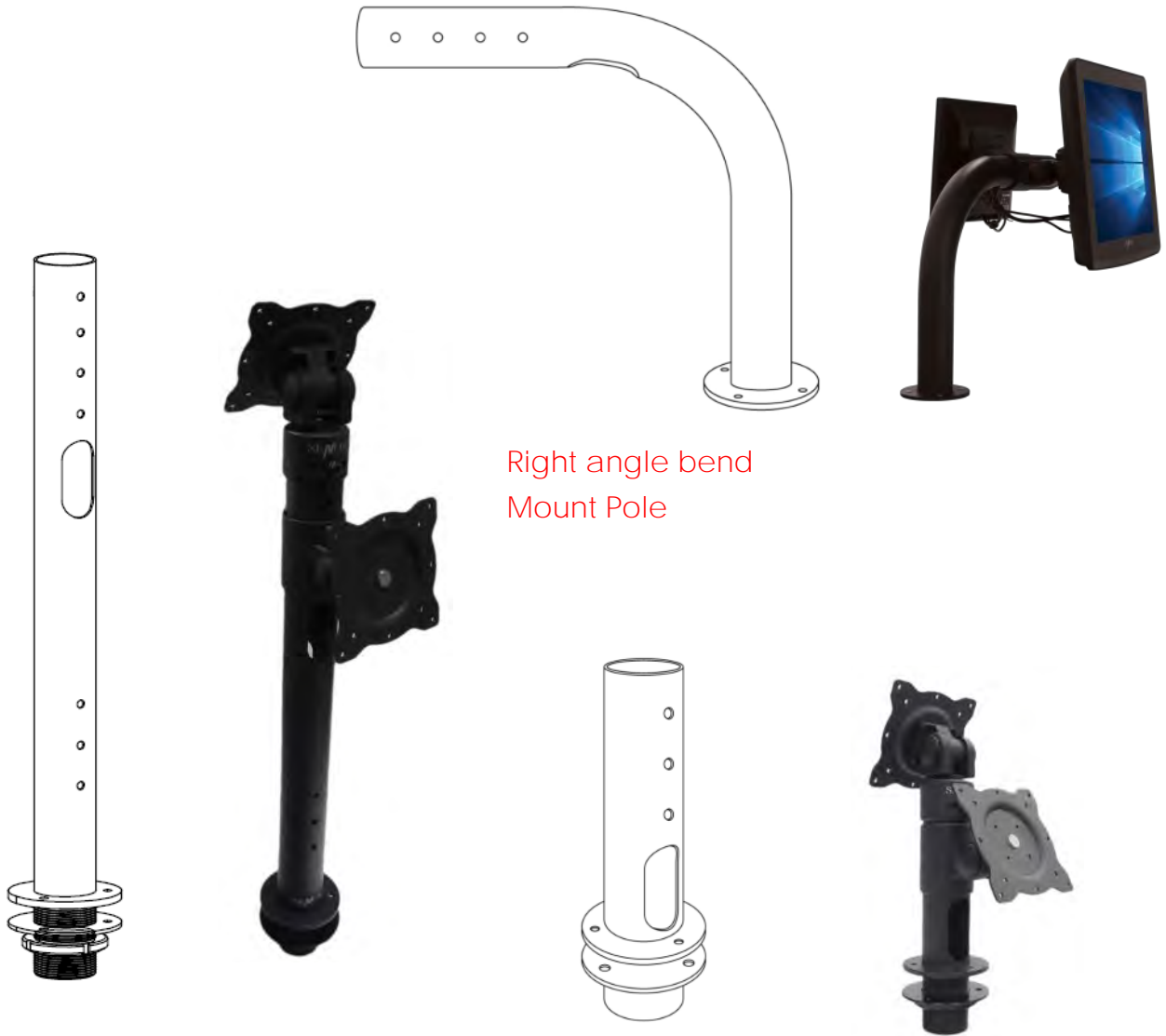
### Max Mount series pole mounting kit

- Firm fixture onto benchtops
- Holds units up to 12 kg on each screen bracket
- VESA 75 x 75 mm and 100 x 100 mm



# POLE MOUNTING SOLUTIONS

Desktop pole mounting kits



Right angle bend  
Mount Pole

Max Mount Pole

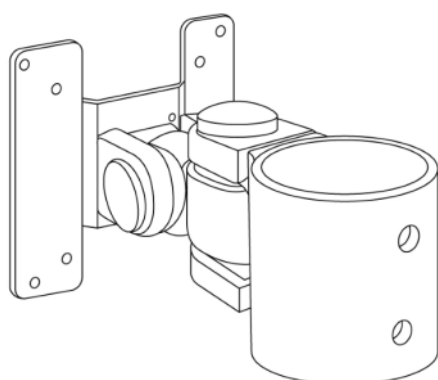
Mini Mount Pole

*\*VESA bracket is not included*

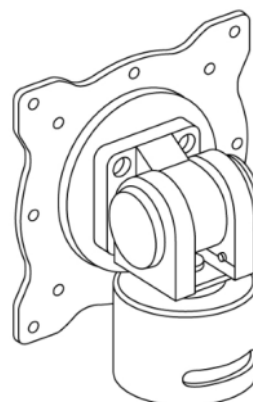
MODEL	ITEM CODE	PRODUCT SPECIFICATION	LIST EX GST
Mini Mount Pole	S-PUOPVS007A0	Pole length 246 mm, height from bench 186 mm diameter 50 mm	\$90
Max Mount Pole	S-PUOPVS000A1	Pole length 600 mm, height from bench 540 mm diameter 50 mm	\$100
Right Angle Bend Mount Pole	S-PUFFAA010A0	Pole length 650 mm, width: 370 mm, height: 340 mm diameter 50 mm	\$120

## POLE MOUNTING SOLUTIONS

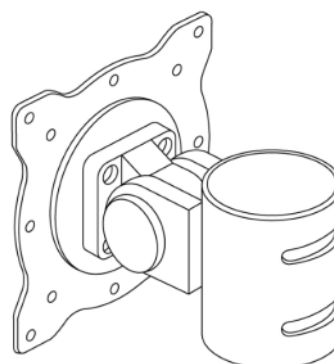
Desktop pole mounting kits



66B400  
Pole Mount Bracket



61B100  
Top Mount Bracket

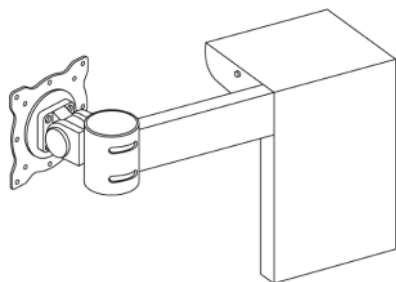


61B200  
Pole Mount Bracket

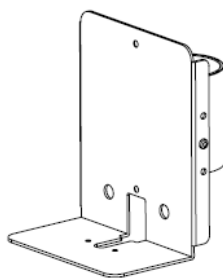
MODEL	ITEM CODE	PRODUCT SPECIFICATION	LIST EX GST
61B100 Top Mount Bracket	GPU-61B100	Top mount bracket (customer display bracket) Adjustable screen tilt only VESA 75 x 75 and 100 x 100 mm	\$70
61B200 Pole Mount Bracket	GPU-61B200	Pole mount bracket (main screen bracket) Adjustable screen tilt only VESA 75 x 75 and 100 x 100 mm	\$70
66B400 Pole Mount Bracket	GPU-66B400	Pole mount bracket (main screen bracket) Adjustable screen tilt & swivel, 90 degrees VESA 75 x 75 and 100 x 100 mm	\$70

## POLE MOUNTING SOLUTIONS

Desktop pole mounting kits



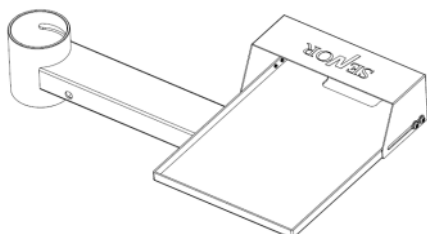
61B200P  
Printer Bracket



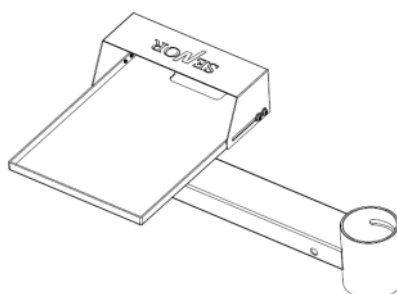
61B300  
Scanner Bracket



61B499  
Keyboard Carrier



61B300PR  
Printer Carrier



61B300PL  
Printer Carrier



MODEL	ITEM CODE	PRODUCT SPECIFICATION	LIST EX GST
61B200P Bracket	002-PU-61B200P	Main screen bracket & vertical printer carrier adjustable screen tilt	\$90
61B300 Scanner Bracket	GPU-61B300	Scanner mount bracket	\$60
61B300PL Printer Carrier	GPU-61B300PL	Horizontal printer carrier (left)	\$90
61B-300PR Printer Carrier	GPU-61B300PR	Horizontal printer carrier (right)	\$90
61B-499 Keyboard Carrier	GPU-61B499	Keyboard Carrier	\$70

## EXTERNAL DEVICES & ACCESSORIES

MODEL	ITEM CODE	PRODUCT SPECIFICATION	LIST EX GST
External Finger Print Reader	V-GST450UB00	External finger print reader (digital persona) USB interface	\$320
External Triple Track Card Reader	V-GCR213UUB00	Dual head, dual directional, triple track, USB interface	\$240
External RFID Reader	V-GCR310UUB00	External RFID reader 13.56MHz (USB, virtual COM port) read/write	\$270
	AST-272ERR	External RFID reader 125KHz/134.2KHz/13.56MHz (USB/virtual COM port) read/write	\$240
Wrist Band	V-GRF4100FB00	RFID wristband 125 kHz read only, black buckle watch	\$10
	V-GRF4100FB01	RFID wristband 125 kHz read only, black Velcro strap watch	\$10
	V-GRF4100FD01	RFID wristband 125 kHz read only, dark blue silicone watch, OD 65 mm	\$10
	V-GRF4100FL00	RFID wristband 125 kHz read only, light blue silicone watch , OD 76 mm	\$10
	WB-RFS50-2	RFID wristband 13.56 MHz read only, black buckle watch	\$10
	002-WB-RFS50	RFID wristband 13.56 MHz read only, black Velcro strap watch	\$10
	ID Card (MiFare S50)	002-CR-RFS50	RFID clerk log-on ID card (MiFare S50)



## EXTENDED WARRANTY

Add-on to Standard 3 Years Return to Base (RTB) Warranty\*

### POS SYSTEMS\*

ITEM CODE	PRODUCT SPECIFICATION	LIST EX GST
ADD12MTHS	1 Additional Year RTB Warranty, includes Parts & Labour Total: 4 Years RTB Warranty	\$250
ADD24MTHS	2 Additional Year RTB Warranty, includes Parts & Labour Total: 5 Years RTB Warranty	\$500

Note: All warranty extensions must be purchased with the original purchase of the unit, no extensions are available after the initial purchase

### PREVENTIVE MAINTENANCE SERVICE

ITEM CODE	PRODUCT SPECIFICATION	LIST EX GST
PMCRTB	Preventive Maintenance Service Return to Base Includes: system clean up, health check, burn-in test, touch calibration, install observer & professional advise on essential parts replacement. Recommended on the 4th Year.	\$240
PMCONSITE	Preventive Maintenance Service Onsite Includes: system clean up, health check, burn-in test, touch calibration, install observer & professional advise on essential parts replacement. Recommended on the 4th Year.	CALL

## ONSITE WARRANTY

Add-on to Standard 3 Years Return to Base (RTB) Warranty\*

### POS SYSTEMS\*

ITEM CODE	PRODUCT SPECIFICATION	LIST EX GST
ONSITE	Per Year Onsite Warranty from Registration Date Major Cities (Up to 4 Hours Response) Monday-Friday, 9:00am to 5:00pm [50km Radius]	\$200

Note: All Onsite Warranty must be purchased with the original purchase of the unit, plus the extension warranty where the standard RTB warranty years is exceeded; not available after the initial purchase

## TERMS AND CONDITIONS

### SENIOR VICTORIAN DISTRIBUTOR & SALES

Unique Micro Design Pty Ltd (UMD)

Street: 1/200 Wellington Road, Clayton, Vic, 3168

Delivery: Rear Unit 1, 200 Wellington Road (Enter via Garden Rd), Clayton, Vic, 3168

E: sales@umd.com.au

T: (03) 9582-7000

### SALES TERMS AND CONDISTIONS

Unique Micro Design (UMD) Sales Terms and Conditions, can be found here:

[https://www.umd.com.au/ftp/pub/D21-02\\_UMD\\_Sales\\_Terms\\_&\\_Conditions.pdf](https://www.umd.com.au/ftp/pub/D21-02_UMD_Sales_Terms_&_Conditions.pdf)

### PRICES and SPECIFICATIONS

All prices and specifications are subject to change without notice and are quoted in Australian Dollars, excluding GST, insurance, freight and installation charges unless stated otherwise.

UMD / Senor Tech may vary pricing in line with any movement in exchange rate, purchase price or any other factor considered as significant by Senor Tech.

### WARRANTY

Warranty ranges from 12 months to 36 months on all hardware items. Please refer to the Senor Tech Limited Warranty Terms and Conditions document on our website (<http://senortech.com.au/pages/warranty>) for further details.

Parts warranty vary; please refer to your Account Manager for details.

### WARRANTY POLICY

The following statements should be read in conjunction with the Senor Tech Limited, Extended and/or On-Site Warranty documents as provided on our website.

Senor Tech offers a standard 36 months return-to-base (RTB) warranty for our POS units with some exceptions; please refer to the table below for full details: